



Side canopy mounting option shown.

FEATURES

The LOOP SLIM HEXAGON LED Suspended Direct/Indirect Light is an advanced, high-performance luminaire designed to elevate a space with its sleek style and uninterrupted, uniform glow.

Built as a single continuous extruded aluminum profile, 1.5" W x 2.3" H, with a flexible polycarbonate diffuser, the luminaire provides simplified installation and a clean, minimalist appearance.

Available in three different sizes and three lumen outputs, for a variety of design options. An internal driver and adjustable CCT switch inside the canopy allow for versatile color temperature transitions during or after installation, to suit different atmospheres.

Two suspended mounting options (central canopy and side canopy) with an adjustable cord allow for playful positioning at various angles, alone, or in group or "cluster" mountings.

Available in classic black or white finishes or custom RAL colors to seamlessly complement any interior style. Ideal for transforming office, commercial, lobby, and hospitality lighting into an artful experience.

Two Suspended Mounting Options Included		SIZE	LUMENS	WATTS
Central Canopy	Side Canopy	23" x 22"	4000L	36W
		35" x 32"	6000L	55W
		47" x 42"	7000L	72W



TECHNICAL DETAILS

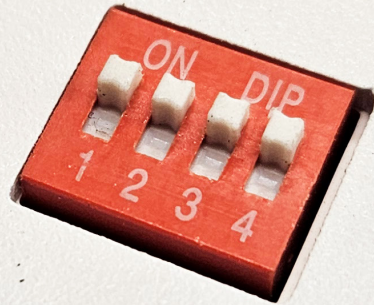
Lumens	4000L, 6000L, 7000L
CCT	3000K/3500K/4000K
CRI	90+
Power	36W, 55W, 72W
Dimensions	23" x 22", 35" x 32", 47" x 42"
Mounting	Suspended Mount (Adjustable 11-ft length cords)
IP Rating	IP40
Color	 White Black Custom RAL

Input Voltage	120-277 VAC
Efficiency	100L/W
Dimming	0-10V Dimming
Life Time	L80B20 at 50,000 hours
Material	Aluminum Body / PC Diffuser
Accessories:	1 Central Canopy
(Included)	1 Side Canopy
"Side canopy or central canopy mounting options".	1 Wire Holder
	3 Suspension Cables



SWITCH FUNCTION

LUMEN DISTRIBUTION

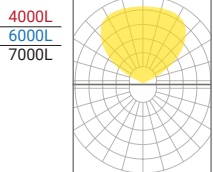


The lumen distribution switch, located inside the profile, is responsible for distributing light both upward and downward of the luminaire.

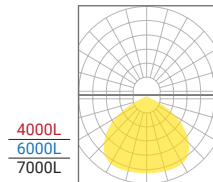
ON	ON	DIP	DIP	100%	0%
ON	ON	DIP	-	70%	30%
ON	ON	-	-	50%	50%
ON	-	-	-	30%	70%
-	-	-	-	0%	100%
1	2	3	4	UP	DOWN

LUMEN DISTRIBUTION

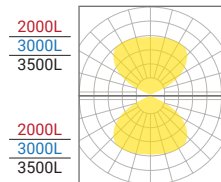
CCT switch located inside the profile.



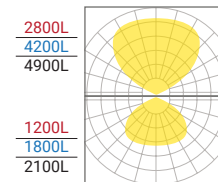
100% UP
ON-ON-DIP-DIP



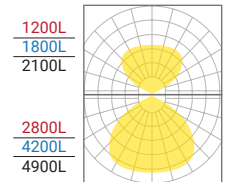
100% DOWN
- - - -



50% Up + 50% Dn
ON-ON- - -



70% Up + 30% Dn
ON-ON-DIP- -



70% Dn + 30% Up
ON- - - -

For the 100% UP and 100% DownLight options, the lumen output will remain the same whether the light is directed downward or upward.

Example: LOOP-SLIM-HEX-DI-LED-23X22-4000L-DIM10-MVOLT-30K/35K/40K-90-WH-SM

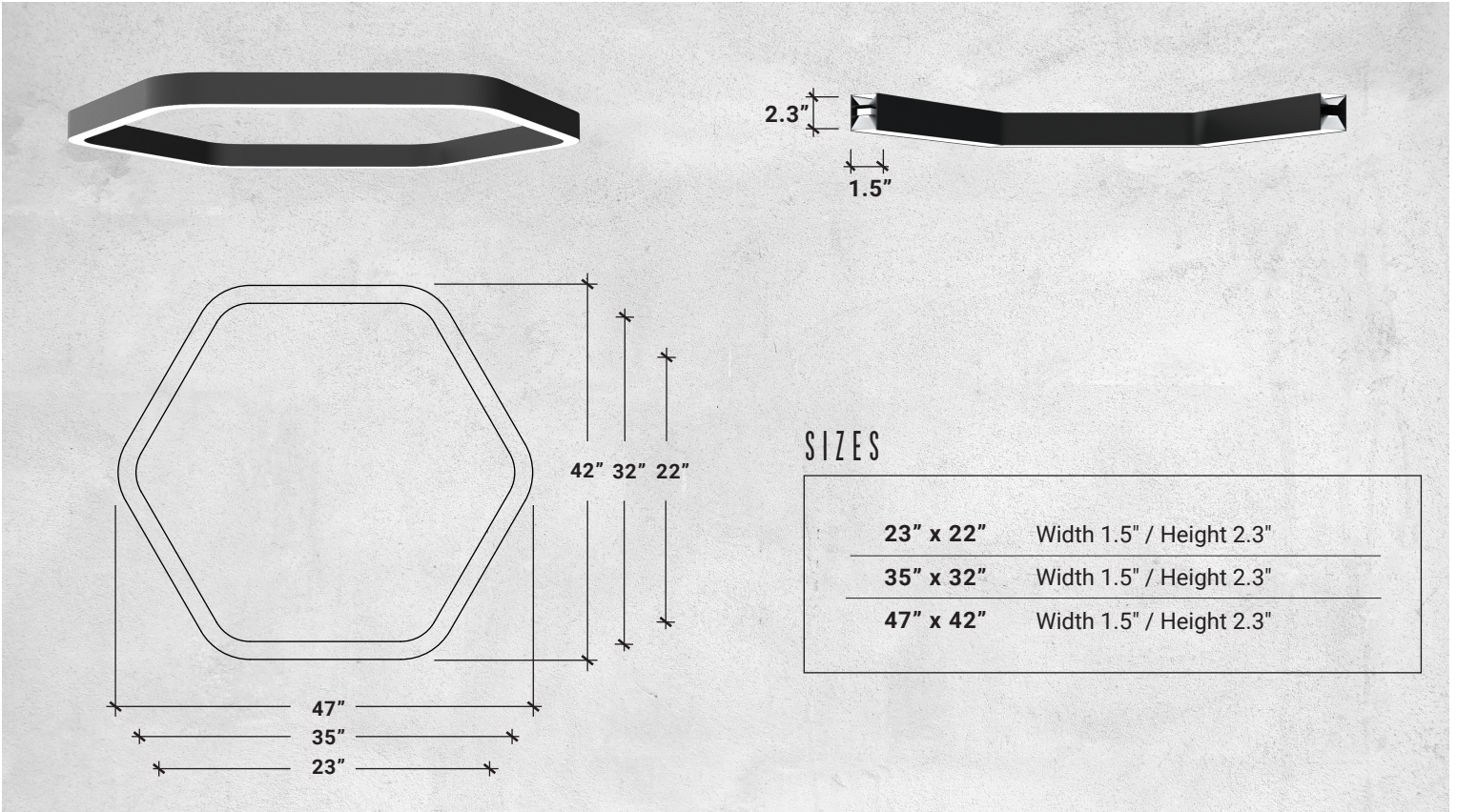
SERIES	LUMINAIRE SIZE	LUMENS	DIMMING/VOLTAGE	CRI	COLOR	MOUNTING
LOOP-SLIM-HEX-DI-LED	23X22 - 23.6"X22.3 35X32 - 35.4"X32.2 47X42 - 47.2"X42.5	4000L - 3600L 6000L - 5500L 7000L - 7200L	DIM10-MVOLT ¹	90 -90+	WH - White BK - Black RAL- Consult factory	SM - Suspended ³ Mount
			CCT	EMERGENCY		
			30K/35K/40K - 3000K-3500K-4000K	REM-EMG-LED-25W-HV-FLEX ² REM-EMG-LED-15W-HV-FLEX ²		

1. For more dimming options, please consult factory.

2. Remote emergency option.

3. The fixture comes with a central canopy mounting as the standard option. If side canopy mounting is desired, it must be modified in the field.

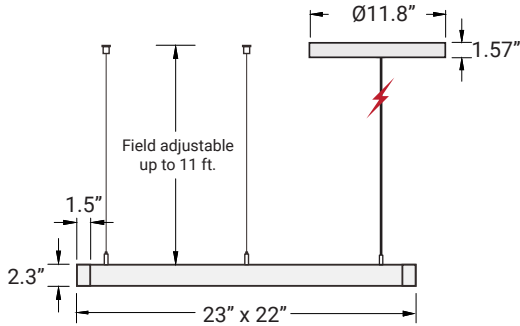
Note: The lead time for all options listed above is approximately 4-5 weeks due to their slim profile and specialized technology.



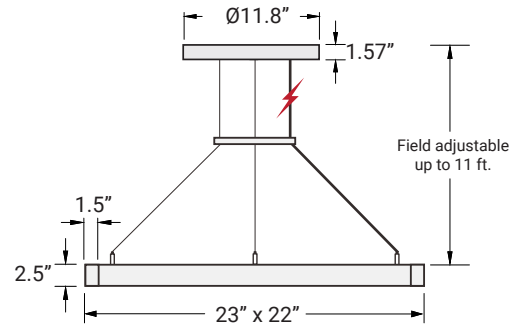
Mounting Options

The fixture comes with a central canopy mounting as the standard option. If side canopy mounting is desired, it must be modified in the field.

Side Canopy Mounting



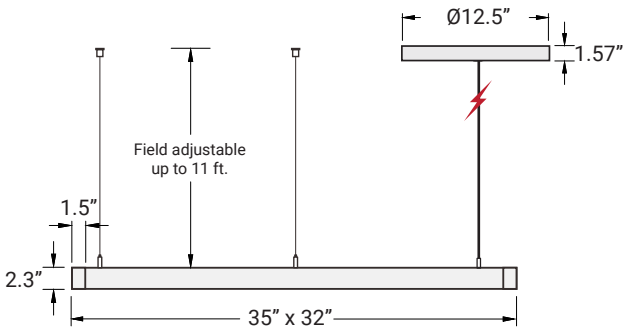
Central Canopy Mounting



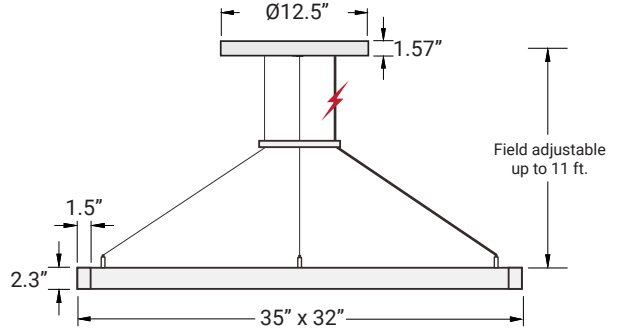
1 Power cable

The driver and CCT switch are located inside the canopy. The luminaire comes with 3 suspension cables, each 11ft in length, 1 central canopy, 1 wire holder, and 1 side canopy. Please note that the lead time for this fixture is approximately 4-5 weeks due to its slim profile and specialized technology.

Side Canopy Mounting



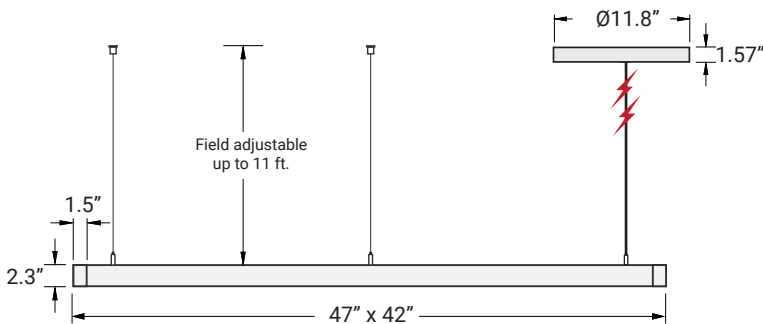
Central Canopy Mounting



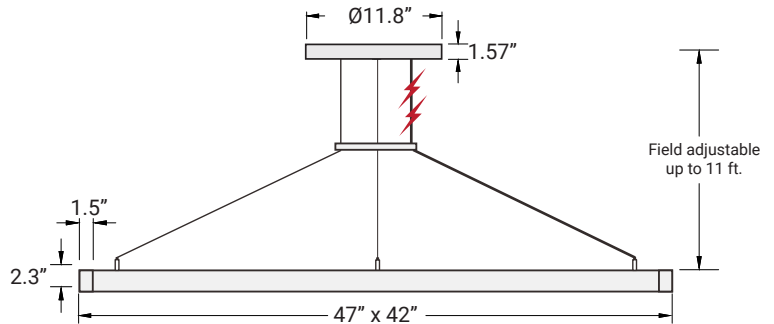
1 Power cable

The driver and CCT switch are located inside the canopy. The luminaire comes with 3 suspension cables, each 11ft in length, 1 central canopy, 1 wire holder, and 1 side canopy. Please note that the lead time for this fixture is approximately 4-5 weeks due to its slim profile and specialized technology.

Side Canopy Mounting



Central Canopy Mounting



2 Power cables

The drivers and CCT switch are located inside the canopy. The luminaire comes with 3 suspension cables, each 11ft in length, 1 central canopy, 1 wire holder, and 1 side canopy. Please note that the lead time for this fixture is approximately 4-5 weeks due to its slim profile and specialized technology.