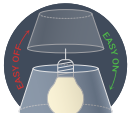




LUMENS	2000, 2500, 3000, 4000, 5000	DIAMETERS	37.3", 50", 56.3", 68.8", 80"
CCT & TECHNOLOGIES	3000K / 3500K / 4000K	MOUNTING	Suspended
CRI	90+ Standard	FIXTURE FINISH	WH (White), BK (Black), Custom RAL
COLOR QUALITY	3 Step MacAdam Ellipse	MATERIAL COLORS	Refer to SoftSense Material Color Chart
DIMMING & CONTROLS	0-10V Flicker Free 1% Dimming Standard (DIM10)	LIFETIME	L70 at 50,000 Hours
EMERGENCY (REMOTE)	REM-EMG-LED-15W-HV-FLEX REM-EMG-LED-25W-HV-FLEX	PHOTOMETRIC TESTS	In Accordance with IES LM79-08, LM-80 and TM-30, TM-21

"Rhapsody" family consists of acoustic pendant or suspended fixtures. The luminaire's simple, classic look provides light over any environment and the added acoustic feature makes it suitable for any design application such as schools, boardrooms, office areas, hotels, lobbies, restaurants, etc.

Flux - Wraps a suspended ring light with a dynamic acoustic form, adding texture and performance in equal measure. It softens ambient noise while creating a bold, dimensional presence.



04.09.26

OPTICS & PERFORMANCE

The LOOP Round LED Suspended Inner Luminaire is a high-performance lighting solution designed to enhance any space with its sleek design and uninterrupted, even glow.

LUMINAIRE CONSTRUCTION

Built as one continuous, 2" extruded aluminum piece with a matching seamless, flexible PC diffuser lens, this luminaire ensures both ease of installation and a minimalist, elegant charm.

LUMEN DISTRIBUTION

The driver and CCT switch are located inside the canopy.

ACOUSTIC CONSTRUCTION

The acoustic is positioned atop the ring fixture, securely held by friction and gravity. This design ensures easy removal of the acoustic while minimizing the use for excessive hardware and glue.

MOUNTING / SUSPENSION

The fixture includes a central canopy mounting as the standard configuration. For side canopy mounting, field modification is required. The luminaire is supplied with three 11' suspension cables, one central canopy, one wire holder, and one side canopy.

WARRANTY

Limited five-year warranty.

LISTINGS

ASTM E-84 Fire Rated (acoustic only)
SCS Recycled Content Certified (acoustic only)
IP40
L80B20 at 50,000 hours
All LED luminaires are rated and tested to LM-79 and LM-80 standards by an independent laboratory.

MAINTENANCE

Acoustic material can be cleaned with a clean, soft, lint-free cloth or a vacuum.

ACOUSTIC MATERIAL - 9mm / 0.35" Thickness

Due to variations in production batches, slight color differences may occur in the acoustic material. While we strive for consistency, exact color matches cannot be guaranteed.

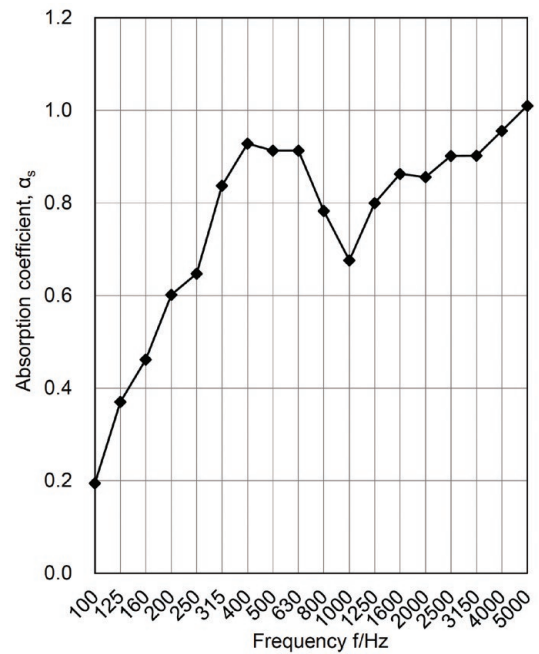
Our panels come in 4' x 8' and are made from 100% polyethylene terephthalate (PET), with 50% post-consumer recycled material. PET is a moisture resistant green product with no added chemicals, binders, adhesives or dyes.

ACOUSTIC PANEL PERFORMANCE - 4' x 8' Panels

Acoustic performance of specific fixture / product will greatly vary based on mounting, installation, and configuration in a space.

Noise Reduction Coefficient (NRC) - 0.75
Weighted Sound Absorption Coefficient - $a_w = 0.85$

NRC is a widely used standard to test sound absorption for 2-dimensional objects. It is the average absorption coefficient obtained from four key 1/3 octave frequencies: 250, 500, 1000, 2000 Hz.



LUMEN DETAILS

Based on 4000K, 90+ CRI.
Actual wattage may vary +/- 5%

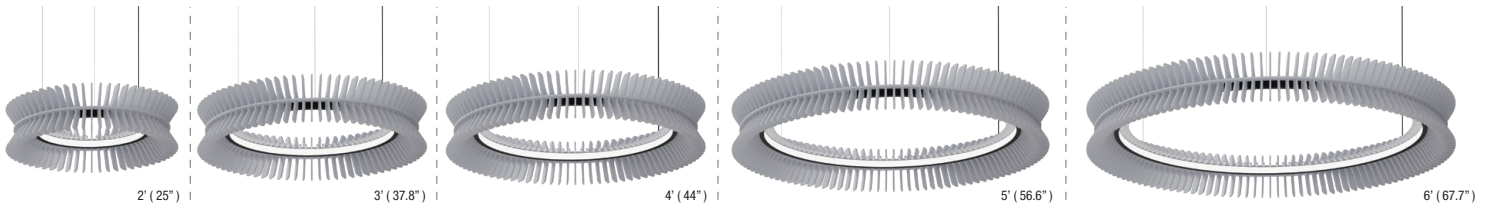
DIRECT		
LUMINAIRE SIZE	LUMENS	WATTS
Ø 25"	2000	30
Ø 37"	2500	45
Ø 44"	3000	53
Ø 56"	4000	68
Ø 67"	5000	80

Example: **LOOP-RD-IN-RHAPSODY-SOFT-FLUX-37-2500L-DIM10-MVOLT-30K/35K/40K-90-BK-SM-GRN**

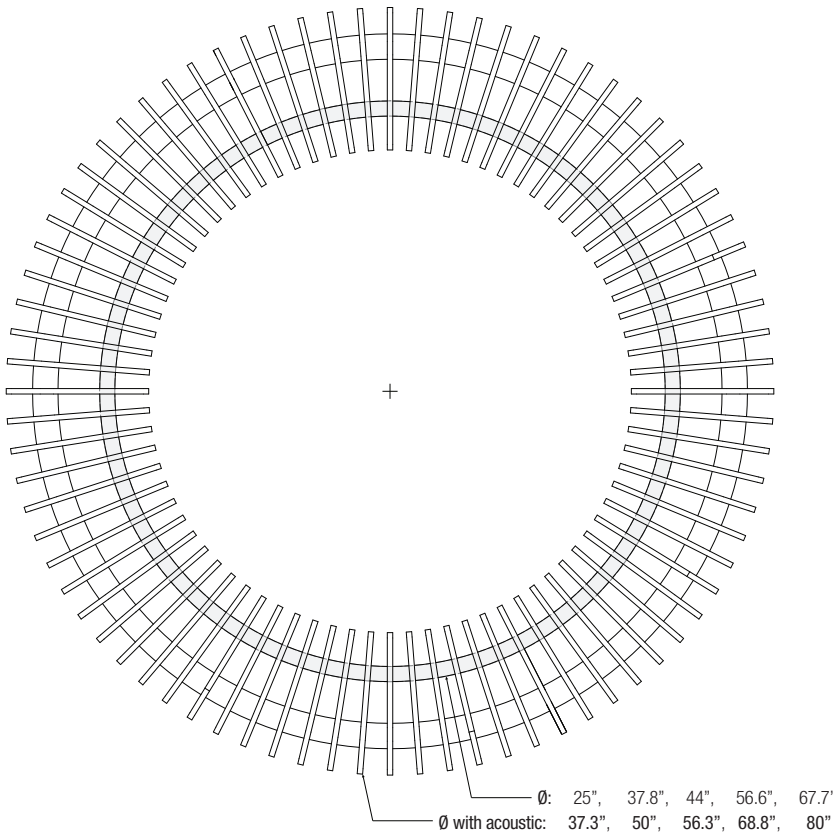
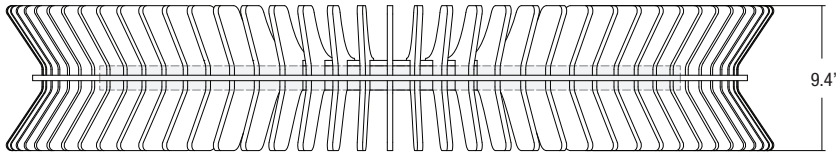
LOOP-RD-IN-RHAPSODY-SOFT													
SERIES	STYLE	LUMINAIRE SIZE	LUMENS	DIMMING	VOLTAGE	CCT	CRI	EMERGENCY	FINISH	MOUNTING OPTION	COLOR		
LOOP-RD-IN-RHAPSODY-SOFT SoftSense LED Suspended Ring Series	FLUX - Flux	25 - 25" 37 - 37.8" 44 - 44" 56 - 56.6" 67 - 67.7"	2000L - 1800 Lumens 2500L - 2700 Lumens 3000L - 3180 Lumens 4000L - 4080 Lumens 5000L - 4800 Lumens	DIM10 - 0-10V Dimming	MVOLT - 120-277Vac	30K/35K/40K 3000K/3500K/4000K	90 - 90+	EMG-LED-64-120-347V-CP-16W-HV EMG-LED-64-120-347V-CP-25W-HV	WH - White BK - Black RAL - custom color ¹	SM - Suspended Mount up to 11 ft. <small>consult factory for other sizes</small>	refer to SoftSense material color chart for options. example: GRN - Green		

¹ Consult Factory

SIZE OPTIONS



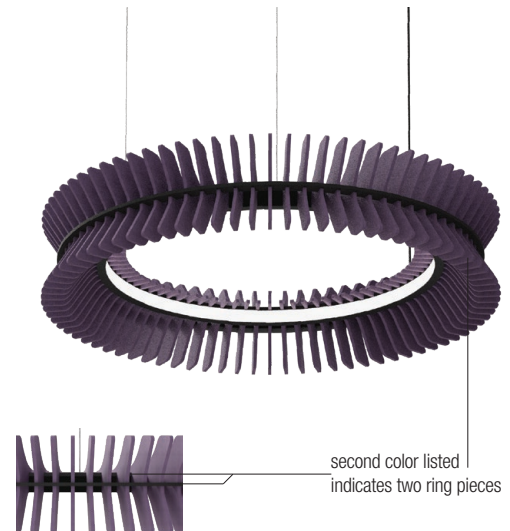
DIMENSIONS



SINGLE COLOR EXAMPLE: AME



DUAL COLOR EXAMPLE: AME-ASP

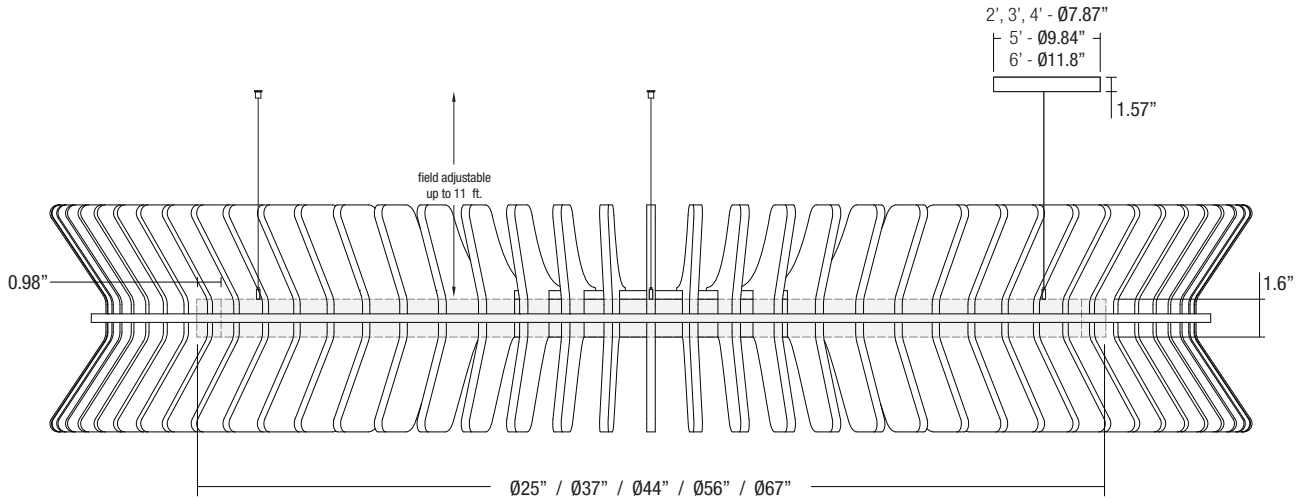


Example Shown: LOOP-RD-IN-RHAPSODY-SOFT-FLUX-37

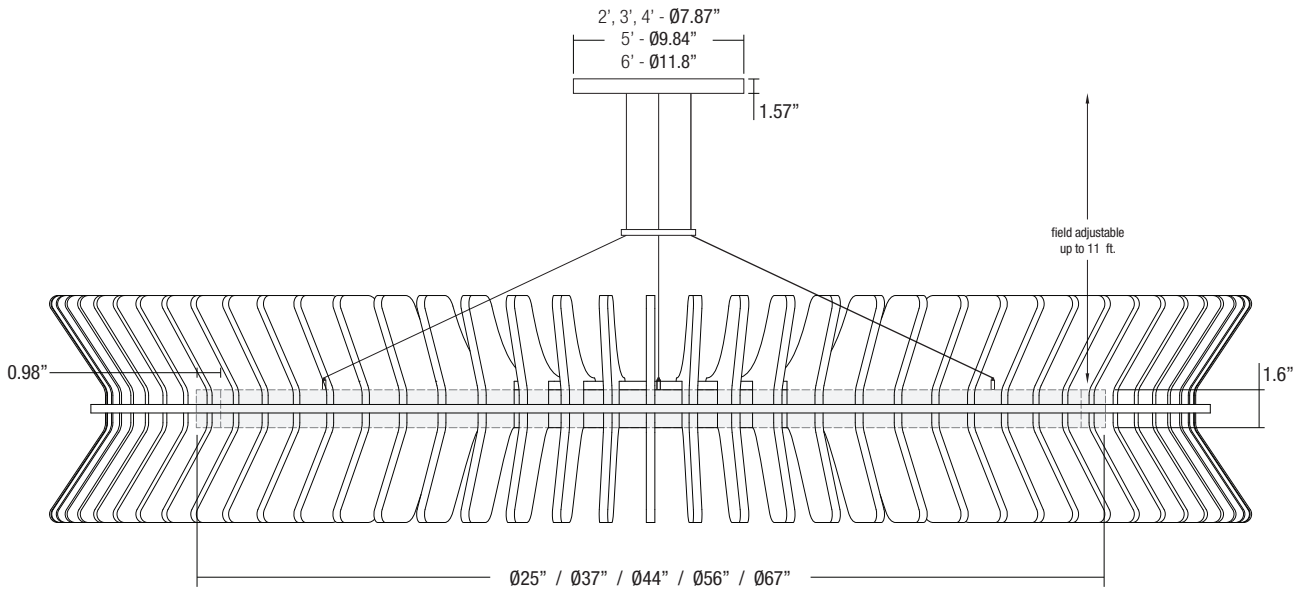
MOUNTING OPTIONS

The fixture comes with a central canopy mounting as standard for all sizes. If side canopy mounting is desired, it must be modified in the field.

SIDE CANOPY MOUNTING (2', 3', 4', 5', 6')



CENTRAL CANOPY MOUNTING (2', 3', 4', 5', 6')



For 056" option, the diffuser lens is designed in three sections rather than a single continuous piece, and the fixture is equipped with two power cables vs one.

STANDARD COLORS

Panel Thickness: 9 mm / 0.35" (+/- 0.25 mm)

All panels ASTM E84-16 Fire Rated



Declare.
Label Pending

*quick ship available for any color depending on order quantity. Please consult factory.
*all colors are ASTM E84-16 fire rated