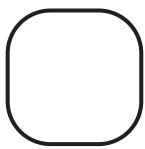


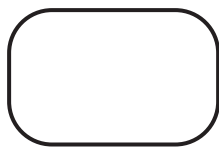


LOOP FORMA CLUSTER

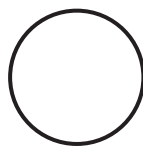
Custom LED Geometric Pendants



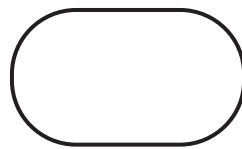
Square



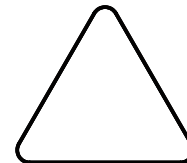
Rectangle



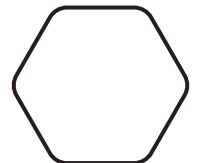
Circle



Oval



Triangle



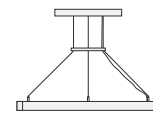
Hexagon

LOOP FORMA CLUSTER Series is a versatile architectural LED pendant system designed to bring visual energy, balance, and modern sophistication to large-scale environments. Combining the creative freedom of modular geometric forms with the performance, durability, and precision of a solid-state luminaire, the LOOP FORMA CLUSTER Series allows designers to create bold, expressive ceiling compositions without compromising lighting quality.

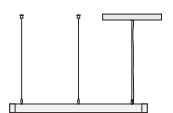
Available in custom square, rectangular, circular, oval, triangular, and hexagonal configurations, the system offers multiple size options, including 1.5", and 2" apertures. Lighting options include direct, direct/indirect, and inner or outer illumination. Each form can be installed individually or combined to create dynamic, multi-shape arrangements tailored to the project vision. An adjustable CCT switch, located within the canopy or profile depending on fixture size, allows for versatile color temperature selection during or after installation to suit different environments.

Offered in suspended mounting configurations, the LOOP FORMA CLUSTER Series delivers both aesthetic flexibility and functional performance. Ideal for corporate offices, educational facilities, hospitality, commercial, and retail environments, it provides a refined architectural statement while enhancing spatial creativity.

Central Canopy



Side Canopy



Central or side canopy mounting options available.

OPTICS & PERFORMANCE

This item's high-efficiency LED optical system includes a precision-cut acrylic lens with a smooth frosted finish for glare-free, even illumination and reflective sidewalls that help distribute the LED light evenly across the acrylic-surface. The lens features a snap-in design that fits securely into the groove of the fixture's body, making it easy to remove for access to the LED driver and LED board. This LOOP-FORMA CLUSTER-LED fixture can be customized into various shapes by assembling different angles and degrees to meet diverse architectural needs.

CONSTRUCTION

Body constructed from up to 90% recyclable, extruded architectural-grade 6063 aluminum with a minimum wall thickness of 0.075", to ensure durability and sustainability. Lenses are made from twin-layered, extruded high-impact acrylic.

DISTRIBUTION PATTERNS & DIFFUSER

The optically extruded, high-impact acrylic lens provides uniform, smooth illumination with reduced glare and precise control of light output. It is designed to snap securely into the housing and integrate seamlessly with the fixture, ensuring a refined and clean appearance.

CRM INSTALLATION

Lighting design will adhere to the factory shop drawing. For continuous mounting, the first section will always include the power supply feed. Housing connections will feature a joint bracket and a male/female connector for electrical connections. For special mounting requirements, please follow the provided mounting instructions.

SUPPORT CABLE/FEED

For the suspended mount version of LOOP-FORMA CLUSTER-LED aircraft cable mounting points are available at intervals of 2, 4, 6, 8, and 11 feet centered along the fixture's length, with the mounting points positioned a 1/2 inch from each end of the fixture or run. Adjustable cable mounts can be made to align with the existing mounting points, as per the installation instructions, and allow for adjustment across the fixture's width for balance. The minimum suspension height from the ceiling to the top of the fixture is 4 inches.

LED DYNAMIC PLATFORM OPTIONS

Our advanced LED board is designed for superior output, efficacy, and reliability. Featuring a high Color Rendering Index (CRI) of 95, these LEDs provide exceptional color accuracy and vibrancy. With a remarkable lifespan of L70 at over 100,000 hours (TM-21), you can trust in their long-lasting performance. Enjoy consistent color with variations within 2-Step MacAdam ellipses. Available in a range of correlated color temperatures (CCT) including 3000K, 3500K, 4000K, 5000K, and 6500K these LEDs meet diverse lighting needs.

DIMMING & DRIVER INFORMATION

DIM10 - 0-10V dimming on either MVOLT 120, 277. Dimmable down to 1% of initial lumens, standard.

FINISH

Standard color - White / Black / Anodized aluminum.
RAL CLASSIC COLORS.

WARRANTY

Five-year warranty for parts and components. (Labor not included).

LISTINGS

cETLus - Listed

TECHNICAL DETAILS

Lumen Range	2000 -19000 lm (depending on luminaire size)
CCT	3000K/3500K/4000K
CRI	90+
Power Range	38 - 192W (depending on luminaire size)
Ring Size	Custom Sizes Available (see page 3)
Mounting	Suspended Mount (Adjustable 11ft length cords)
IP Rating	IP40

Color	● White ● Black ● Custom RAL
Input Voltage	120-277 VAC
Efficiency Range	60 - 100L/W (depending on luminaire size)
Dimming	0-10V Dimming
Life Time	L80B20 at 50,000 hours
Material	Aluminum Body / PC Diffuser

Direct Light



Input Voltage: 120 - 277 VAC
Power Range: 40 - 192W (depending on luminaire size)
Lumen Range: 4000 - 19000 lm (depending on luminaire size)
CCT: 3000K/3500K/4000K
Efficiency: 100 lm/W
Mounting: Suspended Mount (Adjustable 11ft length cords)
Material: Aluminum Body / PC Diffuser
Life Time: L80B20 at 50,000 hours
CRI: 90+
IP: 40
Finish: ● White ● Black ● Custom RAL

Direct Light



Input Voltage: 120 - 277 VAC
Power Range: 40 - 192W (depending on luminaire size)
Lumen range: 4000 - 19000 lm (depending on luminaire size)
CCT: 3000K/3500K/4000K
Efficiency: 100 lm/W
Mounting: Suspended Mount (Adjustable 11ft length cords)
Material: Aluminum Body / PC Diffuser
Life Time: L80B20 at 50,000 hours
CRI: 90+
IP: 40
Finish: ● White ● Black ● Custom RAL

Direct-Indirect Light



Input Voltage: 120 - 277 VAC
Power Range: 40 - 192W (depending on luminaire size)
Lumen range: 4000 - 19000 lm (depending on luminaire size)
CCT: 3000K/3500K/4000K
Efficiency: 100 lm/W
Mounting: Suspended Mount (Adjustable 11ft length cords)
Material: Aluminum Body / PC Diffuser
Life Time: L80B20 at 50,000 hours
CRI: 90+
IP: 40
Finish: ● White ● Black ● Custom RAL

Direct-Indirect Light



Input Voltage: 120 - 277 VAC
Power Range: 40 - 192W (depending on luminaire size)
Lumen range: 4000 - 19000 lm (depending on luminaire size)
CCT: 3000K/3500K/4000K
Efficiency: 100 lm/W
Mounting: Suspended Mount (Adjustable 11ft length cords)
Material: Aluminum Body / PC Diffuser
Life Time: L80B20 at 50,000 hours
CRI: 90+
IP: 40
Finish: ● White ● Black ● Custom RAL

Inner Light



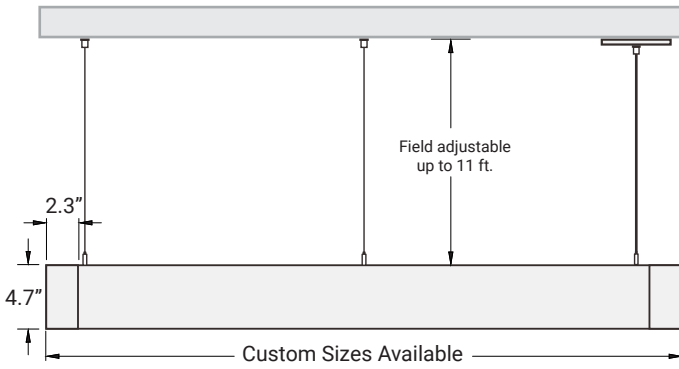
Input Voltage: 120 - 277 VAC
Lumen range: 2000 - 9000 lm (depending on luminaire size)
Power Range: 30 - 150W (depending on luminaire size)
CCT: 3000K/3500K/4000K
Efficiency: 60 lm/W
Mounting: Suspended Mount (Adjustable 11ft length cords)
Material: Aluminum Body / PC Diffuser
Life Time: L80B20 at 50,000 hours
CRI: 90+
IP: 40
Finish: ● White ● Black ● Custom RAL

Outer Light

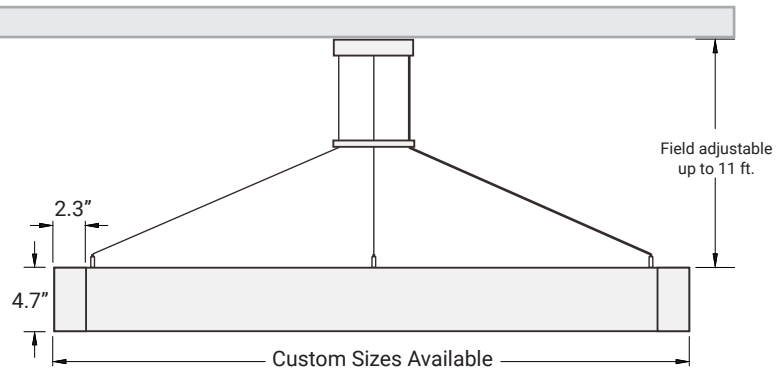


Input Voltage: 120-277 VAC
Lumen range: 2000 - 9000 lm (depending on luminaire size)
Power Range: 30 - 150W (depending on luminaire size)
CCT: 3000K/3500K/4000K
Efficiency: 60 lm/W
Mounting: Suspended Mount (Adjustable 11ft length cords)
Material: Aluminum Body / PC Diffuser
Life Time: L80B20 at 50,000 hours
CRI: 90+
IP: 40
Finish: ● White ● Black ● Custom RAL

Side Canopy

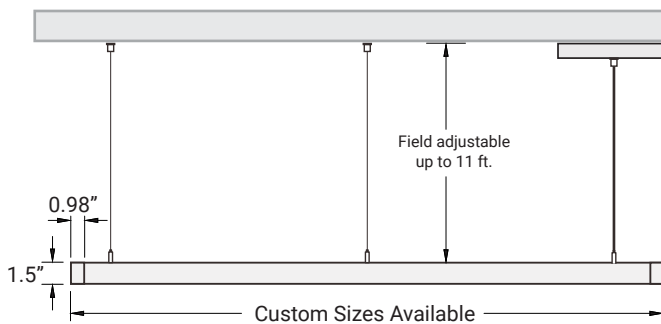


Central Canopy
available for sizes up to Ø72"

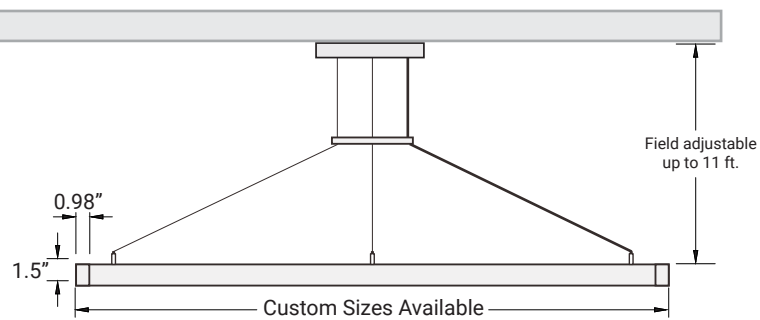


The fixture, with a height of 4.7" and a width of 2.3", features an integrated driver and CCT switch within the profile. The quantity of suspension and power cables will be determined based on the size of the fixture.

Side Canopy



Central Canopy
available for sizes up to Ø69"



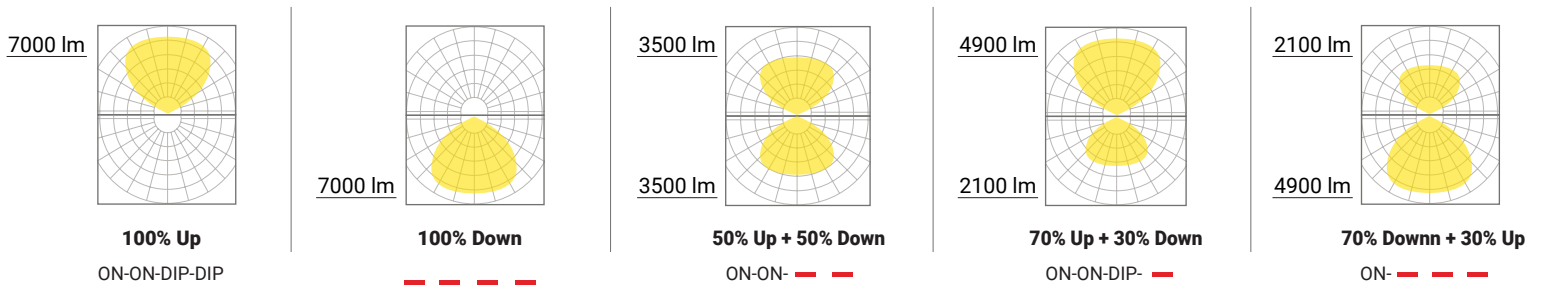
The fixture, with a height of 1.5" and a width of 0.98", features an integrated driver and CCT switch within the canopy. The quantity of suspension and power cables will be determined based on the size of the fixture.

Direct/Indirect Lumen Distribution Switch



The lumen distribution switch, located within the profile or canopy (depending on the luminaire), enables precise control of direct and indirect light output. Selectable distribution ratios include 100% direct, 100% indirect, 50/50, and 30% direct / 70% indirect (and vice versa), allowing full flexibility to achieve the desired uplight and downlight balance.

Lumen Distribution Example (7000 lm Luminaire)





LOOP FORMA CLUSTER

Custom LED Geometric Pendants





LOOP FORMA CLUSTER

Custom LED Geometric Pendants



ORDERING TABLE

Example: LOOP-FC-LED-2-SQ-DI-D5000L-U2000L-DIM10-MVOLT-30K/35K/40K-90-WH-SM-SC

SERIES	SIZE	SHAPE	LIGHT DISTRIBUTION	LUMENS/DIRECT	LUMENS/INDIRECT
LOOP-FC-LED	1 1 - 0.98" x 1.5" 2 2 - 1.5" x 2.3" 2 4 - 2.3 x 4.7"	SQ - Square REC - Rectangle CIR - Circle OVL - Oval TRI - Triangle HEX - Hexagon	D - Direct DI - Direct-Indirect IN - Inner Light OT - Outer Light	³ D####L (blank) - Lumen output not applicable	³ U####L (blank) - Lumen output not applicable
LUMENS/INNER	LUMENS/OUTER	DIMMING/VOLTAGE	CCT	CRI	
³ IN####L (blank) - Lumen output not applicable	³ OT####L (blank) - Lumen output not applicable	⁴ DIM10-MVOLT	30K/35K/40K - 3000K-3500K-4000K	90 - 90CRI	
COLOR	EMERGENCY	MOUNTING	CANOPY	TOTAL RUN / FT & IN	
WH - White BK - Black RAL- Consult factory	⁵ REM-EMG-LED-25W-HV-FLEX ⁵ REM-EMG-LED-15W-HV-FLEX	SM - Suspended Mount	SC - Side Canopy ⁶ CC - Central Canopy	XX.YY.ZZ XX= Length in Feet YY= Fraction in Inches ZZ= Fractions of an Inch e.g. 22 ft. 6 in. 1/2 in	

NOTE:

Submit design and desired size (e.g., circle Ø 6.8 ft or REC, all sizes with 6 ft length) to yuchen@iuseelite.com, including required lumens and light distribution.

After 2-3 business days, confirmation will be provided on whether the desired lumens can be achieved for the specified size and whether the fixture will be manufactured from a single extruded aluminum piece or multiple pieces.

- Luminaire 1, with dimensions of 0.98" x 1.95", is available only with inner or outer light distribution.
- Luminaires 2, with dimensions of 1.5" x 2.3" and 2.3" x 4.7" are available only with direct and direct/indirect light distribution.
- Luminaire with dimensions of 0.98" x 1.95" can deliver between 2,000 and 9,000 lumens, depending on the required size. Luminaires with dimensions of 1.5" x 2.3" and 2.3" x 4.7" can deliver between 4,000 and 19,000 lumens, depending on the required size and light distribution.
- For more dimming options, please consult factory.
- Remote emergency option.
- Central canopy available for sizes up to Ø69" for luminaires with dimensions of 0.98" x 1.95", and up to Ø72" for luminaires with dimensions of 1.5" x 2.3" and 2.3" x 4.7".



Sketch your design using the grid space below and email it to yuchen@iuseelite.com



Square



Rectangle



Circle



Oval



Triangle



Hexagon