

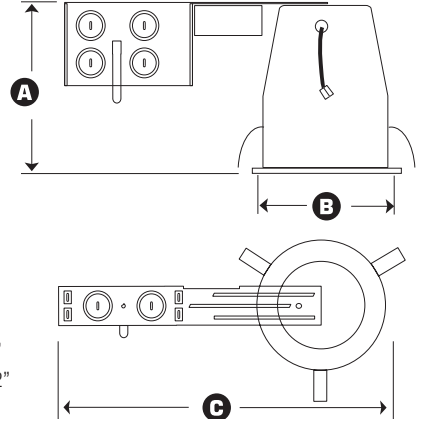
LED2-4-R 4" REMODEL NON-IC LED DOWNLIGHT

SAME DAY
SHIPPING AVAILABLE



**900
LUMENS**

INPUT VOLT.	INPUT FREQ.	INPUT CUR.	INPUT POWER	THD	POWER FACTOR	LUMENS
120/277	50/60Hz	91mA/40mA	11W(+/-5%)	<20%	>0.9	600
120/277	50/60Hz	125mA/54mA	15W(+/-5%)	<20%	>0.9	900



- A** Height = 5-1/2"
- B** Cut-out = 4-1/2"
- C** Length = 11"

DESCRIPTION - 4" LED dedicated Remodel Non-IC housing with the driver installed on the junction box. Designed for remodel construction installations and suitable for use in ceilings where insulation is kept 3 inches from housing. The excellent color rendering index of 85+ and realistic color temperature of 3,000 degrees Kelvin confirms that the Elite LED luminaires are ideally suited for use in hospitality, health care, commercial, retail and residential applications. Producing over 900 usable lumens, the lighting is smooth and comfortable while using nearly 80% less energy than the equivalent 50W BR20/PAR20 or MR16 80% less and 25% less than the common 13W CFL. Plus, the eco-friendly Elite LED system features 70% lumen maintenance at 50,000 hours life.

FEATURES - Greater light output than a 50W BR20/PAR20, MR16 80% & 13W CFL 13W CFL. Available in Spot and Flood distribution ideal for task lighting applications.



DURABILITY - Without proper heat management, any LED luminaire will fail. Our die-cast system pulls the heat from the LED chip, allowing continued cool operation for years. Life tests have shown Elite LED output will be maintained at 70% of initial lumens at 50,000 hours of operation.

DRIVER - Our superior design allows for installation in construction that requires the Elite Air-Shut™ system. Our LED driver is rated for 50 to 60 Hz, produces less than 20% THD, has a power factor between 0.90 and 1.00 and is thermally protected for additional safety. Elites driver is installed on the junction box cover, it is easily accessible for serviced from below the ceiling. Additionally, a 277V options is available.

REPEATABLE - Repeatability means quality. From our chip selection process, to our driver, to the thermal management, Elite LED is engineered for quality. Our superior design allows for installation in construction that requires the Elite Air-Shut™ system. All Elite LED luminaires are rated at 90+ CRI and tested to LM-79 and LM-80 standards by a certified laboratory, and meets the California Title-24 compliance standards.

DIMMABLE - The Elite LED system is fully dimmable down to 20% of initial light output with a Triac & Electronic Low Voltage dimmer when ordered with the following options (DIMTR-120). Fixtures can be shipped with a Lutron Hilume A series Driver which can be dimmed with Lutron Dimming Systems when ordered with the following options (120-LUTH, 277-LUTH). A 277V NON-Dimming option is also available. Consult Factory for details.

HOUSING - Die-formed high temperature painted 22-gauge steel deep-drawn for maximum heat dissipation and rust protection. Designed for new construction installations and is suitable for use in ceilings where insulation is kept 3 inches from housing. May be installed in 2" x 6" joist construction.

INSTALLATION - For fast and easy installation in existing plaster or mechanical ceilings the housing installs from below the ceiling. Four preinstalled spring clips with secure the housing firmly into ceiling to accommodate different ceiling thicknesses form 1/2" to 1-3/8".

JUNCTION BOX - UL Listed for through-branch circuit wiring, provided with eight 1/2" knockouts and four Romex knockouts with true pry-out slots and strain clamps.

THERMAL PROTECTION - Standard thermal protection device guards against improper installation and misuse of insulation material.

OUR WORD - The Elite LED lighting system carries a five-year carefree warranty for parts and components. (Labor not included.)

LISTING

c-UL-us - listed for Damp location
c-UL-us - listed for feed Through Wiring Covered by U.S. Patent Number: 7717390B1

DIMMING INFORMATION

DIMTR (Triac & Electronic Low Voltage Dimming)
LUTH (Lutron® Hi-lume® Dimming)

**Refer to page 399-403
for Trim options**

Example: **LED2-4-R-600L-DIMTR-120-AT/LED2-1401-600L-ND-30K-W-WH**

HOUSING TYPE	TYPE	600L SERIES	900L SERIES
LED2-4-R		<input type="checkbox"/> 600L-DIMTR-120 <input type="checkbox"/> 600L-LUTH-120 <input type="checkbox"/> 600L-LUTH-277 <input type="checkbox"/> 600L-DIM10-MVOLT	<input type="checkbox"/> 900L-DIMTR-120 <input type="checkbox"/> 900L-LUTH-120 <input type="checkbox"/> 900L-LUTH-277 <input type="checkbox"/> 900L-DIM10-MVOLT

TRIM	TRIM TYPE	SERIES	OPTICS	CCT	CRI	FINISH
	<input type="checkbox"/> LED2-1401 (Baffle)	<input type="checkbox"/> 600L	<input type="checkbox"/> ND (Narrow)	<input type="checkbox"/> 27K <input type="checkbox"/> 30K	<input type="checkbox"/> 85+ <input type="checkbox"/> 90+	<input type="checkbox"/> W-WH <input type="checkbox"/> P-BK <input type="checkbox"/> P-WH <input type="checkbox"/> CP-CP <input type="checkbox"/> SN-SN <input type="checkbox"/> BZ-BZ
	<input type="checkbox"/> LED2-1405 (Lensed Baffle)	<input type="checkbox"/> 600L <input type="checkbox"/> 900L	<input type="checkbox"/> MD (Medium)	<input type="checkbox"/> 35K <input type="checkbox"/> 40K		
	<input type="checkbox"/> LED2-1416 (Wall Wash)		<input type="checkbox"/> MD (Medium)	<input type="checkbox"/> 50K (85+ CRI Only)		
	<input type="checkbox"/> LED2-1496 (Square Baffle)		<input type="checkbox"/> MD (Medium)			
	<input type="checkbox"/> LED2-1402 (Reflector)	<input type="checkbox"/> 600L	<input type="checkbox"/> ND (Narrow)	<input type="checkbox"/> 27K <input type="checkbox"/> 30K	<input type="checkbox"/> 85+ <input type="checkbox"/> 90+	<input type="checkbox"/> CL-WH <input type="checkbox"/> CL-CH <input type="checkbox"/> W-WH <input type="checkbox"/> CP-CP <input type="checkbox"/> BZ-BZ <input type="checkbox"/> SN-SN <input type="checkbox"/> RG-WH <input type="checkbox"/> CL-SN <input type="checkbox"/> MB-WH <input type="checkbox"/> MB-BK
	<input type="checkbox"/> LED2-1428 (Lensed Reflector)	<input type="checkbox"/> 600L <input type="checkbox"/> 900L	<input type="checkbox"/> MD (Medium)	<input type="checkbox"/> 35K <input type="checkbox"/> 40K		
	<input type="checkbox"/> LED2-1407 (Wall Wash)		<input type="checkbox"/> MD (Medium)	<input type="checkbox"/> 50K (85+ CRI Only)		
	<input type="checkbox"/> LED2-1462		<input type="checkbox"/> MD (Medium)			<input type="checkbox"/> CL-CP <input type="checkbox"/> CL-SN <input type="checkbox"/> CL-WH <input type="checkbox"/> CL-BK <input type="checkbox"/> CL-BZ <input type="checkbox"/> CL-CH
	<input type="checkbox"/> LED2-1437 (Shower Trim)					
	<input type="checkbox"/> LED2-1406 (Adjustable)	<input type="checkbox"/> 600L	<input type="checkbox"/> ND (Narrow) <input type="checkbox"/> MD (Medium) <input type="checkbox"/> WD (Wide)	<input type="checkbox"/> 27K <input type="checkbox"/> 30K <input type="checkbox"/> 35K <input type="checkbox"/> 40K <input type="checkbox"/> 50K (85+ CRI Only)	<input type="checkbox"/> 85+ <input type="checkbox"/> 90+	<input type="checkbox"/> CP <input type="checkbox"/> SN <input type="checkbox"/> WH <input type="checkbox"/> BK <input type="checkbox"/> BZ <input type="checkbox"/> CH
	<input type="checkbox"/> LED2-1414 (Pinhole)	<input type="checkbox"/> 600L <input type="checkbox"/> 900L	<input type="checkbox"/> ND (Narrow)			<input type="checkbox"/> WH
	<input type="checkbox"/> LED2-1403 (Slot Aperture)	<input type="checkbox"/> 600L				

BAFFLE WITH NARROW LIGHT DISTRIBUTION

LED2-1401-600L-ND-A-W-WH



Photometric Multiplier 1.0

LED2-1401-600L-ND-A-P-WH



Photometric Multiplier .75

LED2-1401-600L-ND-A-SN-SN



Photometric Multiplier .92

LED2-1401-600L-ND-A-CP-CP



Photometric Multiplier .87

LED2-1401-600L-ND-A-P-BK



Photometric Multiplier .75

LED2-1401-600L-ND-A-BZ-BZ



Photometric Multiplier .85

Example: LED2-1401-600L-ND-30K-W-WH

TYPE (BAFFLE)	600L SERIES	OPTICS	(A) CCT	CRI	FINISH	
LED2-1401	<input type="checkbox"/> 600L	<input type="checkbox"/> ND (Narrow)	<input type="checkbox"/> 27K <input type="checkbox"/> 30K <input type="checkbox"/> 35K	<input type="checkbox"/> 40K <input type="checkbox"/> 50K (85+ CRI ONLY)	<input type="checkbox"/> 85+ <input type="checkbox"/> 90+	<input type="checkbox"/> W-WH <input type="checkbox"/> P-WH <input type="checkbox"/> SN-SN <input type="checkbox"/> CP-CP <input type="checkbox"/> BZ-BZ <input type="checkbox"/> P-BK

LENSED BAFFLE WITH MEDIUM LIGHT DISTRIBUTION

LED2-1405-A-MD-B-W-WH



Photometric Multiplier 1.0

LED2-1405-A-MD-B-P-WH



Photometric Multiplier .75

LED2-1405-A-MD-B-SN-SN



Photometric Multiplier .92

LED2-1405-A-MD-B-CP-CP



Photometric Multiplier .87

LED2-1405-A-MD-B-P-BK



Photometric Multiplier .75

LED2-1405-A-MD-B-BZ-BZ



Photometric Multiplier .85

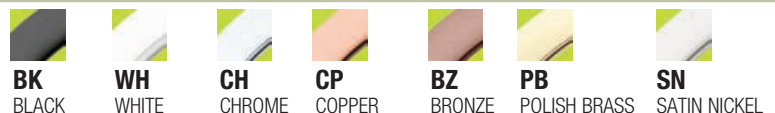
Example: LED2-1405-11W-MD-30K-W-WH

TYPE (LENSED BAFFLE)	(A) LUMENS	OPTICS	(B) CCT	CRI	FINISH	
LED2-1405 	<input type="checkbox"/> 600L <input type="checkbox"/> 900L	<input type="checkbox"/> MD (Medium)	<input type="checkbox"/> 27K <input type="checkbox"/> 30K <input type="checkbox"/> 35K	<input type="checkbox"/> 40K <input type="checkbox"/> 50K (85+ CRI ONLY)	<input type="checkbox"/> 85+ <input type="checkbox"/> 90+	<input type="checkbox"/> W-WH <input type="checkbox"/> P-WH <input type="checkbox"/> SN-SN <input type="checkbox"/> CP-CP <input type="checkbox"/> BZ-BZ <input type="checkbox"/> P-BK

BAFFLE FINISH:



TRIM/RING FINISH:



REFLECTOR WITH NARROW LIGHT DISTRIBUTION

LED2-1402-600L-ND-**(A)**-CL-WH



Photometric Multiplier 1.0

LED2-1402-600L-ND-**(A)**-BZ-BZ



Photometric Multiplier .87

LED2-1402-600L-ND-**(A)**-W-WH



Photometric Multiplier .95

LED2-1402-600L-ND-**(A)**-CL-CH



Photometric Multiplier 1.0

LED2-1402-600L-ND-**(A)**-CP-CP



Photometric Multiplier .90

LED2-1402-600L-ND-**(A)**-SN-SN



Photometric Multiplier .87

LED2-1402-600L-ND-**(A)**-MB-WH



Photometric Multiplier .77

LED2-1402-600L-ND-**(A)**-RG-WH



Photometric Multiplier .90

LED2-1402-600L-ND-**(A)**-MB-BK



Photometric Multiplier .77

LED
4"

4 INCH LED OPTICS

Example: LED2-1402-600L-ND-30K-W-WH

TYPE (REFLECTOR)	600L SERIES	OPTICS	(A) CCT	CRI	FINISH	
LED2-1402	<input type="checkbox"/> 600L	<input type="checkbox"/> ND (Narrow)	<input type="checkbox"/> 27K <input type="checkbox"/> 30K <input type="checkbox"/> 35K	<input type="checkbox"/> 40K <input type="checkbox"/> 50K (85+ CRI ONLY)	<input type="checkbox"/> 85+ <input type="checkbox"/> 90+	<input type="checkbox"/> CP-WH <input type="checkbox"/> MB-BK <input type="checkbox"/> W-WH <input type="checkbox"/> BZ-BZ <input type="checkbox"/> RG-WH <input type="checkbox"/> MB-WH <input type="checkbox"/> CL-CH <input type="checkbox"/> CP-CP <input type="checkbox"/> SN-SN

LENSED REFLECTOR WITH MEDIUM LIGHT DISTRIBUTION

LED2-1428- **A** -MD- **B** -CL-WH



Photometric Multiplier 1.0

LED2-1428- **A** -MD- **B** -BZ-BZ



Photometric Multiplier .87

LED2-1428- **A** -MD- **B** -W-WH



Photometric Multiplier .95

LED2-1428- **A** -MD- **B** -CL-CH



Photometric Multiplier 1.0

LED2-1428- **A** -MD- **B** -CP-CP



Photometric Multiplier .90

LED2-1428- **A** -MD- **B** -SN-SN



Photometric Multiplier .87

LED2-1428- **A** -ND- **B** -MB-WH



Photometric Multiplier .77

LED2-1428- **A** -MD- **B** -RG-WH



Photometric Multiplier .90

LED2-1428- **A** -ND- **B** -MB-BK




Photometric Multiplier .77

LED

4"

4 INCH LED OPTICS

Example: LED2-1428-600L-MD-30K-W-WH

TYPE (LENSED REFLECTOR)	(A) LUMENS	OPTICS	(B) CCT	CRI	FINISH	
LED2-1428 	<input type="checkbox"/> 600L <input type="checkbox"/> 900L	<input type="checkbox"/> MD (Medium)	<input type="checkbox"/> 27K <input type="checkbox"/> 30K <input type="checkbox"/> 35K	<input type="checkbox"/> 40K <input type="checkbox"/> 50K (85+ CRI ONLY)	<input type="checkbox"/> 85+ <input type="checkbox"/> 90+	<input type="checkbox"/> CP-WH <input type="checkbox"/> MB-BK <input type="checkbox"/> W-WH <input type="checkbox"/> BZ-BZ <input type="checkbox"/> RG-WH <input type="checkbox"/> MB-WH <input type="checkbox"/> CL-CH <input type="checkbox"/> CP-CP <input type="checkbox"/> SN-SN

PINHOLE WITH NARROW LIGHT DISTRIBUTION



LED2-1414- **A** -ND- **B** -WH

Example: **LED2-1414-600L-ND-30K-WH**

TYPE	(A) LUMENS	OPTICS	(B) CCT	CRI	FINISH
LED2-1414 (PINHOLE)	<input type="checkbox"/> 600L <input type="checkbox"/> 900L	<input type="checkbox"/> ND (Narrow)	<input type="checkbox"/> 27K <input type="checkbox"/> 30K <input type="checkbox"/> 35K <input type="checkbox"/> 40K <input type="checkbox"/> 50K (85+ CRI only)	<input type="checkbox"/> 85+ <input type="checkbox"/> 90+	<input type="checkbox"/> WH

ONE PIECE SLOT APERTURE



LED2-1403-600L- **A** -WH

Example: **LED2-1403-600L-30K-WH**

TYPE	SERIES	(A) CCT	CRI	FINISH
LED2-1403 (ONE PIECE SLOT APERTURE)	<input type="checkbox"/> 600L	<input type="checkbox"/> 27K <input type="checkbox"/> 30K <input type="checkbox"/> 35K <input type="checkbox"/> 40K <input type="checkbox"/> 50K (85+ CRI only)	<input type="checkbox"/> 85+ <input type="checkbox"/> 90+	<input type="checkbox"/> WH

SMOOTH FROST SHOWER LITE WITH MEDIUM LIGHT DISTRIBUTION



LED2-1437- **A** -MD- **B** - **C**

Example: **LED2-1437-600L-MD-30K-CL-WH**

TYPE	(A) LUMENS	OPTICS	(B) CCT	CRI	(C) FINISH
LED2-1437 (SMOOTH FROST SHOWER LITE)	<input type="checkbox"/> 600L <input type="checkbox"/> 900L	<input type="checkbox"/> MD (Medium)	<input type="checkbox"/> 27K <input type="checkbox"/> 30K <input type="checkbox"/> 35K <input type="checkbox"/> 40K <input type="checkbox"/> 50K (85+ CRI only)	<input type="checkbox"/> 85+ <input type="checkbox"/> 90+	<input type="checkbox"/> BZ <input type="checkbox"/> WH <input type="checkbox"/> CP <input type="checkbox"/> CH <input type="checkbox"/> BK <input type="checkbox"/> SN

SEMI-FROSTED SHOWER TRIM WITH MEDIUM LIGHT DISTRIBUTION



LED2-1462- **A** -MD- **B** - **C**

Example: **LED2-1462-600L-MD-30K-CL-WH**

TYPE	(A) LUMENS	OPTICS	(B) CCT	CRI	(C) FINISH
LED2-1462 (SEMI-FROSTED SHOWER TRIM)	<input type="checkbox"/> 600L <input type="checkbox"/> 900L	<input type="checkbox"/> MD (Medium)	<input type="checkbox"/> 27K <input type="checkbox"/> 30K <input type="checkbox"/> 35K <input type="checkbox"/> 40K <input type="checkbox"/> 50K (85+ CRI only)	<input type="checkbox"/> 85+ <input type="checkbox"/> 90+	<input type="checkbox"/> CL-BZ <input type="checkbox"/> CL-WH <input type="checkbox"/> CL-CP <input type="checkbox"/> CL-CH <input type="checkbox"/> CL-BK <input type="checkbox"/> CL-SN

BAFFLE WALL WASH WITH MEDIUM LIGHT DISTRIBUTION



LED2-1416- **A** -MD- **B** - **C**

Example: **LED2-1416-600L-MD-30K-W-W-WH**

TYPE	(A) LUMENS	OPTICS	(B) CCT	CRI	(C) FINISH
LED2-1416 (BAFFLE WALL WASH)	<input type="checkbox"/> 600L <input type="checkbox"/> 900L	<input type="checkbox"/> MD (Medium)	<input type="checkbox"/> 27K <input type="checkbox"/> 30K <input type="checkbox"/> 35K <input type="checkbox"/> 40K <input type="checkbox"/> 50K (85+ CRI only)	<input type="checkbox"/> 85+ <input type="checkbox"/> 90+	<input type="checkbox"/> W-W-WH <input type="checkbox"/> P-W-WH <input type="checkbox"/> SN-SN-WH <input type="checkbox"/> CP-CP-WH <input type="checkbox"/> BZ-BZ-WH <input type="checkbox"/> P-BK-WH

REFLECTOR WALL WASH WITH MEDIUM LIGHT DISTRIBUTION



LED2-1407- **A** -MD- **B** - **C**

Example: **LED2-1407-600L-MD-30K-W-W-WH**

TYPE	(A) LUMENS	OPTICS	(B) CCT	CRI	(C) FINISH
LED2-1407 (REFLECTOR WALL WASH)	<input type="checkbox"/> 600L <input type="checkbox"/> 900L	<input type="checkbox"/> MD (Medium)	<input type="checkbox"/> 27K <input type="checkbox"/> 30K <input type="checkbox"/> 35K <input type="checkbox"/> 40K <input type="checkbox"/> 50K (85+ CRI only)	<input type="checkbox"/> 85+ <input type="checkbox"/> 90+	<input type="checkbox"/> CP-W-WH <input type="checkbox"/> MB-BK-WH <input type="checkbox"/> RG-W-WH <input type="checkbox"/> RG-PB-WH <input type="checkbox"/> CP-CP-WH <input type="checkbox"/> CL-SN-WH <input type="checkbox"/> BZ-BZ-WH <input type="checkbox"/> W-W-WH <input type="checkbox"/> MB-W-WH <input type="checkbox"/> CL-CH-WH <input type="checkbox"/> SN-SN-WH

LED

4"

4 INCH LED OPTICS

SURFACE ADJUSTABLE (90° TILT, 359° ROTATION)



Description:

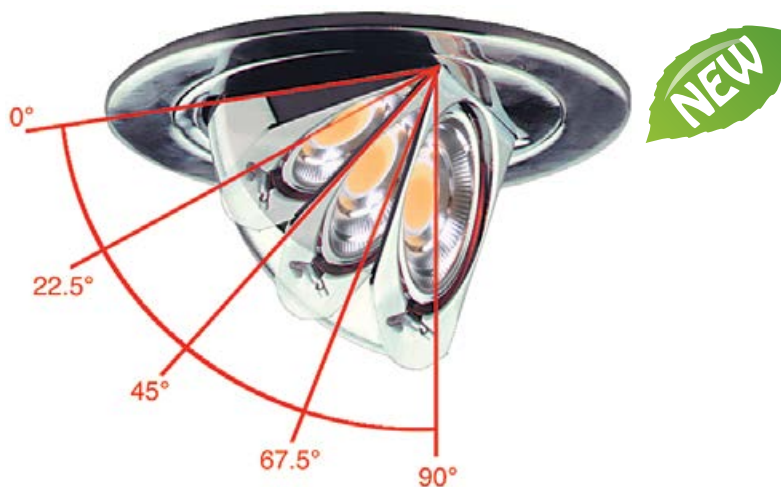
- Fixture adjusts 90° and rotates 359°.
- All die-cast construction is for functional and aesthetic use
- Can be used to accentuate an artwork or a particular object



ND: Narrow Distribution

MD: Medium Distribution

WD: Wide Distribution



LED2-1406-600L- A - B -BK



LED2-1406-600L- A - B -SN



LED2-1406-600L- A - B -CH



LED2-1406-600L- A - B -CP



LED2-1406-600L- A - B -BZ



LED2-1406-600L- A - B -WH

Example: LED2-1406-600L-ND-30K-WH

TYPE	600L SERIES	(A) OPTICS	(B) CCT	CRI	FINISH	
LED2-1406 (ADJUSTABLE)	<input type="checkbox"/> 600L	<input type="checkbox"/> ND 25° <input type="checkbox"/> MD 36° <input type="checkbox"/> WD 60°	<input type="checkbox"/> 27K <input type="checkbox"/> 30K <input type="checkbox"/> 35K	<input type="checkbox"/> 40K <input type="checkbox"/> 50K (85+ CRI ONLY)	<input type="checkbox"/> 85+ <input type="checkbox"/> 90+	<input type="checkbox"/> BK <input type="checkbox"/> SN <input type="checkbox"/> CH <input type="checkbox"/> CP <input type="checkbox"/> BZ <input type="checkbox"/> WH

SQUARE BAFFLE W/ SQUARE TRIM RING

Example: LED2-1496-600L-MD-30K-90-W-WH

TYPE	600L SERIES	OPTICS	CCT	CRI	FINISH	
LED2-1496 (SQUARE BAFFLE)	<input type="checkbox"/> 600L	<input type="checkbox"/> MD (Medium)	<input type="checkbox"/> 27K <input type="checkbox"/> 30K <input type="checkbox"/> 35K	<input type="checkbox"/> 40K <input type="checkbox"/> 50K (85+ CRI ONLY)	<input type="checkbox"/> 85+ <input type="checkbox"/> 90+	<input type="checkbox"/> W-WH <input type="checkbox"/> P-WH <input type="checkbox"/> P-BK <input type="checkbox"/> CP-CP <input type="checkbox"/> SN-SN <input type="checkbox"/> BZ-BZ



W-WH (White)



SN-SN (Satin Nickel)



P-BK
Black Black



P-WH
Black White



BZ-BZ
Bronze



CP-CP
Copper

LED
4"

4 INCH LED OPTICS