



3W LED SQUARE PUCK SERIES

LED-HU-45 is a puck light that can be use for recessed or surface mounted applications. It is designed with a magnetic-adhesive plate for a quick and easy installation. It is a dimmable and eco-friendly. LED-HU-45 is a great replacement for hot halogen lighting. It is the perfect source of light for display lighting, under cabinet, shelf and counter.

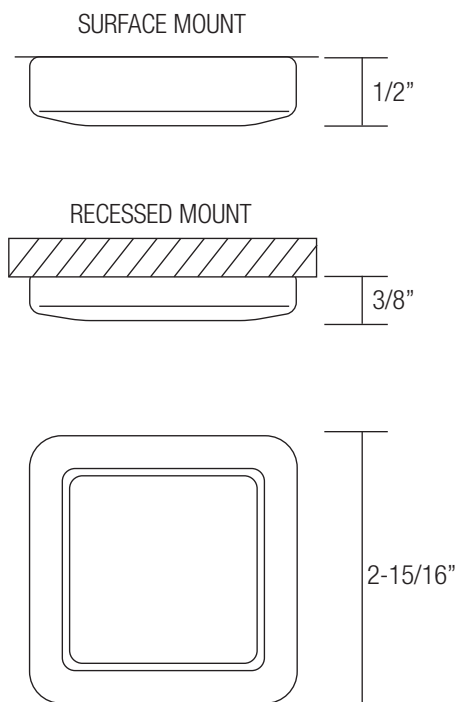
INPUT VOLT.	THD	INPUT POWER	LUMENS
12	<20%	3W(+/-5%)	240

SPECIFICATIONS

- **Dimmable with selected driver (See page 2 for detail driver info)**
- **CRI: 90+**
- 240 Lumens
- 3W Output LED
- 20W Halogen Replacement
- Lens: Diffused Frosted Lens
- Energy savings of 85%
- Great for displays, cabinets & showcases
- Beam Angle: 120°
- Input Voltage: 12V DC
- Color Temp: 3000K/ 4000K
- Connection: 24" Lead Wire w/ Connector
- Rated Life: 50,000 Hours
- Warranty: 3 Year Limited Warranty

LED

DIMMENSION



ACCESSORIES:



LED-HU-ACC-1-WH (White)
LED-HU-ACC-1-BK (Black)
 6-port adapter for led-hu-41 and 45



LED-HU-ACC-2-WW (White)
LED-HU-ACC-2-WB (Black)
 24" extnesion wire to adapter in white,
 24" extension wire to driver.

EXAMPLE: LED-HU-45-LED-240L-30K-90-WH

SERIES	LUMENS	CCT	CRI	FINISH
LED-HU-45	<input type="checkbox"/> 240L	<input type="checkbox"/> 30K <input type="checkbox"/> 40K	<input type="checkbox"/> 90+	<input type="checkbox"/> WH-White <input type="checkbox"/> BK-Black <input type="checkbox"/> SI-Silver

LED-HU-45 — — — —

SERIES LUMENS CCT CRI FINISH

NON-DIMMABLE COMPACT LED DC 12V ELECTRONIC LOW VOLTAGE DRIVERS

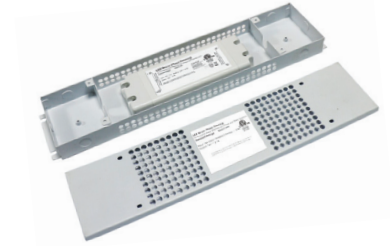
TYPE	Input(277V)	Output
LED-HU-DR-12V-30W	1@30 Watts	12V DC
LED-HU-DR-12V-60W	1@60 Watts	12V DC
LED-HU-DR-12V-100W	1@100 Watts	12V DC



DIMMABLE COMPACT LED DC 12V ELECTRONIC LOW VOLTAGE DRIVERS

NOTE: Hard wire only. Power cable sold separately

PART#	Input(120V)	Output(12V)	Depth	Height	Width
LED-HU-ELV-DIMTR-DC-12-25-120	1@25 Watts	12V	2.1"	0.7"	6"
LED-HU-ELV-DIMTR-DC-12-50-120	1@50 Watts	12V	2.5"	1"	7"
LED-HU-ELV-DIMTR-DC-12-60-120	1@60 Watts	12V	2.3"	1.4"	7"



PHASE / TRAC DIMMER TEST LIST

Brand	Model number (Dimmer)	Input Voltage Range	Compatibility	Dimming Range	Forward Phase or Reserve phase
LUTRON	SCL-153PR-WH	100-130V	OK	0-100%	Forward Phase
	DVCL-153PR-WH	100-130V	OK	0-100%	Forward Phase
	DVWCL-153PH-LA	100-130V	OK	0-100%	Forward Phase
	CTCL-153PDH-LA	100-130V	OK	0-100%	Forward Phase
	TGCL-153PR-WH	100-130V	OK	0-100%	Forward Phase
	TGCL-153PH-WH	100-130V	OK	0-100%	Forward Phase
	MACL-153MH-LA	100-130V	OK	5-100%	Forward Phase
	CT-600PR-IV	100-130V	OK	5-100%	Forward Phase
	CT-600PR-WH	100-130V	OK	5-100%	Forward Phase
	CT-603PGH-WH	100-130V	OK	9-100%	Forward Phase
	CT-103PR-WH	100-130V	OK	8-100%	Forward Phase
	DV-600PR-BL	100-130V	OK	5-100%	Forward Phase
	DV-600PR-WH	100-130V	OK	4-100%	Forward Phase
	DVW-603PGH-WH	100-130V	OK	4-100%	Forward Phase
	TG-600PR-LA	100-130V	OK	8-100%	Forward Phase
	TG-600PR-IV	100-130V	OK	8-100%	Forward Phase
	TG-600PR-WH	100-130V	OK	8-100%	Forward Phase

Brand	Model number (Dimmer)	Input Voltage Range	Compatibility	Dimming Range	Forward Phase or Reserve phase
LEVITON	VPI06-1LZ	100-130V	OK	15-100%	Forward Phase
	TTI06-1LZ	100-130V	OK	1-100%	Forward Phase
	IPL06	100-130V	OK	15-100%	Forward Phase
	6672	100-130V	OK	15-100%	Forward Phase
	TBL03	100-130V	OK	12-100%	Forward Phase
	6602	100-130V	OK	10-100%	Forward Phase
	6683	100-130V	OK	12-100%	Forward Phase