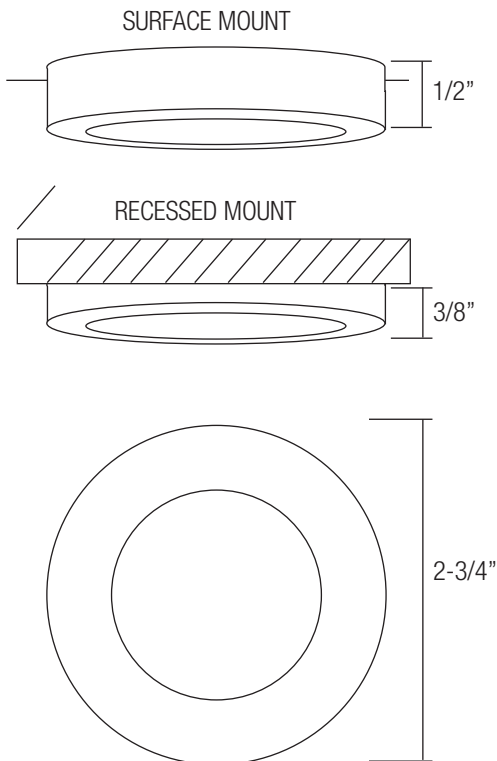




EASY 3 COLORS
SELECCTOR
3000K • 4000K • 5000K



NOMINAL LUMENS	DELIVERED LUMENS	WATTAGE
240	240	3W

Based on 4000K, 90+ CRI. Actual wattage may vary +/- 5%

FEATURES

LED-HU-41 is a puck light that can be used for recessed or surface mounted applications. It is dimmable and eco-friendly. LED-HU-41 is a great replacement for hot halogen lighting. It is the perfect source of light for display lighting, under cabinet, shelf and counter.

LUMENS	240
CCT	30K/40K/50K
CRI	90+
COLOR QUALITY	3-Step MacAdam Ellipse
CONSTRUCTION	Aluminum die-cast body
SHAPE	Round
COLORS	WH (White), BZ (Bronze)
DIMMING	Dimmable
LIFETIME	L70 at 50,000 Hours
PHOTOMETRIC TESTS	In Accordance with IES LM79-08, LM80 and TM-30, TM-21

- **Dimmable with selected driver (See page 2 for detail driver info)**
- 240 Lumens
- 3W Output LED
- 90 CRI
- 20W Halogen Replacement
- Lens: Diffused Frosted Lens
- Energy savings of 85%
- Great for displays, cabinets & showcases
- Beam Angle: 120°
- Input Voltage: 12V DC
- 3 CCT Selector: 3000K / 4000K/5000K
- Connection: 24" Lead Wire w/ Connector
- Rated Life: 50,000 Hours
- Warranty: 3 Year Limited Warranty

EXAMPLE: **LED-HU-41-240L-30K/40K/50K-90-WH**

TYPE	LUMEN	CCT	CRI	FINISH
LED-HU-41	<input type="checkbox"/> 240L	<input type="checkbox"/> 30K/40K/50K	<input type="checkbox"/> 90+	<input type="checkbox"/> WH - White (standard) <input type="checkbox"/> BZ - Bronze



NON-DIMMABLE ACT LED DC 12V ELECTRONIC LOW VOLTAGE DRIVERS

TYPE	Input(277V)	Output
LED-HU-DR-12V-30W	1@30 Watts	12V DC
LED-HU-DR-12V-60W	1@60 Watts	12V DC
LED-HU-DR-12V-100W	1@100 Watts	12V DC



DIMMABLE COMPACT LED DC 12V ELECTRONIC LOW VOLTAGE DRIVERS

NOTE: Hard wire only. Power cable sold separately.

PART#	Input(120V)	Output(12V)	Depth	Height	Width
LED-HU-ELV-DIMTR-DC-12-25-120	1@25 Watts	12V	2.1"	0.7"	6"
LED-HU-ELV-DIMTR-DC-12-50-120	1@50 Watts	12V	2.5"	1"	7"
LED-HU-ELV-DIMTR-DC-12-60-120	1@60 Watts	12V	2.3"	1.4"	7"



PHASE / TRIAC DIMMER TEST LIST

Brand	Model number (Dimmer)	Input Voltage Range	Compatibility	Dimming Range	Forward Phase or Reserve phase
LUTRON	SCL-153PR-WH	100-130V	OK	0-100%	Forward Phase
	DVCL-153PR-WH	100-130V	OK	0-100%	Forward Phase
	DVWCL-153PH-LA	100-130V	OK	0-100%	Forward Phase
	CTCL-153PDH-LA	100-130V	OK	0-100%	Forward Phase
	TGCL-153PR-WH	100-130V	OK	0-100%	Forward Phase
	TGCL-153PH-WH	100-130V	OK	0-100%	Forward Phase
	MACL-153MH-LA	100-130V	OK	5-100%	Forward Phase
	CT-600PR-IV	100-130V	OK	5-100%	Forward Phase
	CT-600PR-WH	100-130V	OK	5-100%	Forward Phase
	CT-603PGH-WH	100-130V	OK	9-100%	Forward Phase
	CT-103PR-WH	100-130V	OK	8-100%	Forward Phase
	DV-600PR-BL	100-130V	OK	5-100%	Forward Phase
	DV-600PR-WH	100-130V	OK	4-100%	Forward Phase
	DVW-603PGH-WH	100-130V	OK	4-100%	Forward Phase
	TG-600PR-LA	100-130V	OK	8-100%	Forward Phase
	TG-600PR-IV	100-130V	OK	8-100%	Forward Phase
	TG-600PR-WH	100-130V	OK	8-100%	Forward Phase

Brand	Model number (Dimmer)	Input Voltage Range	Compatibility	Dimming Range	Forward Phase or Reserve phase
LEVITON	VPI06-1LZ	100-130V	OK	15-100%	Forward Phase
	TTI06-1LZ	100-130V	OK	1-100%	Forward Phase
	IPL06	100-130V	OK	15-100%	Forward Phase
	667210	0-130V	OK	15-100%	Forward Phase
	TBL03	100-130V	OK	12-100%	Forward Phase
	6602	100-130V	OK	10-100%	Forward Phase
	6683	100-130V	OK	12-100%	Forward Phase

ACCESORIES:



LED-HU-ACC-1-WH (White)
LED-HU-ACC-1-BK (Black)
6-port adapter for led-hu-41 and 45



LED-HU-ACC-2-WW (White)
LED-HU-ACC-2-WB (Black)
24" extension wire to adapter in white,
24" extension wire to driver.