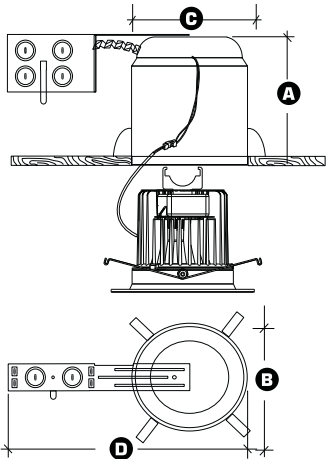


LD6R-AT

6" Remodel NON-IC Housing for use with Triac and 0-10V Dimmable RL600 series LED Module lighting components



- A** Height = 7-1/4"
- B** Width = 7"
- C** Cut-out = 6-3/4"
- D** Length = 13"



TO BE USED WITH 0-10V DIMMING LED MODULE LIGHTING COMPONENT

DESCRIPTION - 6" Remodel Non-IC housing for use with RL600 LED series LED Module trims. Designed for remodel installations and suitable for use in NON-insulation covered ceilings. The LD6R-AT housing is engineered with a unique 'EZ-connect' wiring system, that when used with the RL600 trim, with California Title-24 (compliances pending). The unique EZ-connect system also meets other state and national regulatory mandates. LED Module connects effortlessly to housing, virtually eliminating mis-wiring and potential shock hazards.

NOTE - Complete system includes LD6R-AT housing and LED Modules RL600 series trim. RL600 LED Modules trim must be ordered separately.

HOUSING - Die-formed aluminum for maximum heat dissipation and rust protection. Housing can be installed in 1/2" to 1-3/8" thick ceilings. Housing is Non-IC rated and insulation must be kept 3" away from all sides. May be installed in 2" x 8" joist construction.

CONNECTION - Polarity-specific EZ-connect system engineered to match with Elite LED Module trims. Meets strict code requirements where Edison Base Sockets have been banned. Additional wires are included for 0-10V dimming modules.

INSTALLATION - For fast and easy installation in existing plaster or mechanical ceilings the housing installs from below the ceiling. Four preinstalled spring clips with secure the housing firmly into ceiling to accommodate different ceiling thicknesses form 1/2" to 1-3/8".

JUNCTION BOX - UL Listed for through-branch circuit wiring, provided with eight 1/2" knockouts and four Romex knockouts with true pry-out slots and strain clamps.

THERMAL PROTECTION - Standard thermal protection device guards against improper installation and misuse of insulation material.

ELITE LED MODULE SOLD SEPARATELY - LD6R-AT unique 'EZ-connect' wiring system is Title 24 compliant when used with the RL600 series module. RL600 series modules are rated to last up to 50,000hrs as tested in accordance with LM-80 standards. Driver and LED Engine are found on the module itself. The Elite LED Module system is fully dimmable down to 10% of initial light output with a 0-10 Volt dimmer when ordered with the following options (DIM10-MVOLT). Triac dimming driver also available when ordered with the following options (DIMTR-120). Consult Factory for details.

AIR-SHUT - Provided with gasket to prevent airflow from heated or air- conditioned spaces. Meets or exceeds all national air flow requirements.

LISTING

c-UL-us - listed for Damp location
c-UL-us- listed for feed Through Wiring
LM79/LM80

DIMMING INFORMATION

DIM10 (0-10V Dimming)
DIMTR (Triac Dimming)



Example: LD6R-AT-RL630-650L-DIMTR-120

Example: LD6R-AT-DIM10-MVOLT

HOUSING TYPE					
<input type="checkbox"/> LD6R-AT-DIMTR-120 - Used For Triac Dimming Module					
<input type="checkbox"/> LD6R-AT-277 - Used For Non Dimming Module					
TRIM TYPE	750L/900L/1200L SERIES	PAGE #	TRIM TYPE	650L/900L SERIES	PAGE #
<input type="checkbox"/> RL630 (Baffle)	<input type="checkbox"/> 750L-DIMTR-120 <input type="checkbox"/> 750L-277 (Non Dimmable) <input type="checkbox"/> 900L-DIMTR-120	287	<input type="checkbox"/> RL660 (Baffle)	<input type="checkbox"/> 650L-DIMTR-120 <input type="checkbox"/> 900L-DIMTR-120	309
<input type="checkbox"/> RL611 (Baffle Wall Wash)	<input type="checkbox"/> 900L-277 (Non Dimmable) <input type="checkbox"/> 1200L-DIMTR-120 <input type="checkbox"/> 1200L-277 (Non Dimmable)		<input type="checkbox"/> RL661 (Reflector)		
<input type="checkbox"/> RL607 (Reflector)	<input type="checkbox"/> 750L-DIMTR-120 <input type="checkbox"/> 750L-277 (Non Dimmable) <input type="checkbox"/> 900L-DIMTR-120 <input type="checkbox"/> 900L-277 (Non Dimmable)	287	TRIM TYPE	750L SERIES	PAGE #
<input type="checkbox"/> RL622 (Reflector Wall Wash)	<input type="checkbox"/> 1200L-DIMTR-120 <input type="checkbox"/> 1200L-277 (Non Dimmable)		<input type="checkbox"/> RL625 (Baffle)	<input type="checkbox"/> 750L-DIMTR-120	307
TRIM TYPE	1000L SERIES	PAGE #	<input type="checkbox"/> RL663 (Adj. Baffle)		285
<input type="checkbox"/> RL670	<input type="checkbox"/> 1000L-DIMTR-120	300	TRIM TYPE	950L SERIES	PAGE #
			<input type="checkbox"/> RL628	<input type="checkbox"/> 950L-DIMTR-120	299

HOUSING TYPE		
<input type="checkbox"/> LD6R-AT-DIM10-120 Used For 0-10V Dimming Module. 120V input		
<input type="checkbox"/> LD6R-AT-DIM10-277 Used For 0-10V Dimming Module. 277V input		
TRIM TYPE	900L/1200L SERIES	PAGE #
<input type="checkbox"/> RL630 (Baffle)	<input type="checkbox"/> 900L-DIM10-MVOLT <input type="checkbox"/> 1200L-DIM10-MVOLT	287
<input type="checkbox"/> RL611 (Baffle Wall Wash)		
<input type="checkbox"/> RL607 (Reflector)		
<input type="checkbox"/> RL622 (Reflector Wall Wash)		