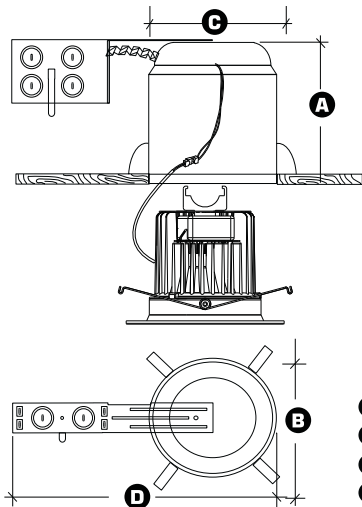


LD5R-AT-DIM10

5" Remodel NON-IC Housing for use with 0-10V Dimmable LED Modules lighting components

SAME DAY
SHIPPING AVAILABLE



TO BE USED WITH 900 LUMEN LED MODULE LIGHTING COMPONENT

DESCRIPTION - 5" Remodel Non-IC housing for use with 900 Lumen LED Module trims. Designed for remodel installations and suitable for use in non-insulation covered ceilings. The LD5R-AT-DIM10 housing is engineered with a unique 'EZ-connect' wiring system, that when used with the LED Module trim, with California Title-24 (compliances pending). The unique EZ-connect system also meets other state and national regulatory mandates. LED Module connects effortlessly to housing, virtually eliminating mis-wiring and potential shock hazards.

NOTE - Complete system includes LD5R-AT-DIM10 housing and LED Module series trims. LED Module trims must be ordered separately. See ordering guide below.

HOUSING - Die-formed aluminum for maximum heat dissipation and rust protection. Housing can be installed in 1/2" to 1-3/8" thick ceilings. Housing is Non-IC rated and insulation material must be pulled away 3" from all sides. May be installed in 2" x 8" joist construction.

CONNECTION - Polarity-specific EZ-connect system engineered to match with Elite LED Module trims. Meets strict code requirements where Edison Base Sockets have been banned. Additional wires are included for 0-10V dimming modules.

INSTALLATION - For fast and easy installation in existing plaster or mechanical ceilings the housing installs from below the ceiling. Four preinstalled spring clips with secure the housing firmly into ceiling to accommodate different ceiling thicknesses from 1/2" to 1-3/8".

JUNCTION BOX - UL Listed for through-branch circuit wiring, provided with eight 1/2" knockouts and four Romex knockouts with true pry-out slots and strain clamps.

THERMAL PROTECTION - Standard thermal protection device guards against improper installation and misuse of insulation material.

ELITE LED MODULE SOLD SEPARATELY - LED Modules unique 'EZ-connect' wiring system is Title 24 compliant when used with the LD5R-AT-DIM10 housing. The unique EZ-connect system also meets other state and national regulatory mandates. System is a UL Listed disconnect system that preserves the integrity of the energy-efficient system by insuring only Elite brand trims are used. The EZ-connect system prevents installation of less efficient incandescent luminaires and LEDs.

AIR-SHUT - Provided with gasket to prevent airflow from heated or air- conditioned spaces. Meets or exceeds all national air flow requirements.

LISTING

c-UL-us - listed for Damp location
 c-UL-us - listed for feed Through Wiring
 LM79/LM80

DIMMING INFORMATION

DIM10 (0-10V Dimming)



Example: LD5R-AT-DIM10-MVOLT

HOUSING TYPE				
<input type="checkbox"/> LD5R-AT-DIM10-120 - Used For 120V input 0-10V dimming				
<input type="checkbox"/> LD5R-AT-DIM10-277 - Used For 277V input 0-10V dimming				
TRIM TYPE	900L SERIES	CCT	CRI	FINISH
<input type="checkbox"/> RL530 (Baffle)	<input type="checkbox"/> 900L-DIM10-MVOLT	<input type="checkbox"/> 27K <input type="checkbox"/> 30K <input type="checkbox"/> 35K <input type="checkbox"/> 40K	<input type="checkbox"/> 85+ <input type="checkbox"/> 90+	<input type="checkbox"/> W-WH <input type="checkbox"/> CP-CP <input type="checkbox"/> P-WH <input type="checkbox"/> BZ-BZ <input type="checkbox"/> SN-SN <input type="checkbox"/> P-BK
<input type="checkbox"/> RL511 (Baffle Wall Wash)		<input type="checkbox"/> 50K (CRI 85+ Only)	<input type="checkbox"/> 85+ <input type="checkbox"/> 90+	<input type="checkbox"/> CL-WH <input type="checkbox"/> CL-CH <input type="checkbox"/> W-WH <input type="checkbox"/> CP-CP <input type="checkbox"/> BZ-BZ <input type="checkbox"/> SN-SN <input type="checkbox"/> RG-WH <input type="checkbox"/> RG-PB <input type="checkbox"/> MB-WH <input type="checkbox"/> MB-BK
<input type="checkbox"/> RL507 (Reflector)	<input type="checkbox"/> 900L-DIM10-MVOLT			
<input type="checkbox"/> RL522 (Reflector Wall Wash)				

LED
5"

5 INCH REMODEL NON-IC HOUSING