



FEATURES

The Mini-Flex Neon Tape Light is an easy-to-operate solution designed for indoor and wet-location lighting applications. With a milky silicone body and a matte finish coating, it provides smooth, uniform, dot-free illumination using COB technology. Available in color temperatures from 2700K to 6500K, it supports a wide range of environments and design requirements.

Rated IP67, this tape light is suitable for both indoor and outdoor use and installs easily on various surfaces with adhesive backing or mounting clips. Common applications include outdoor and wet locations, cove lighting, architectural accents, and wet bars.

Max run up to 16 ft

Wet Location (IP67)

90+ CRI / 120° Beam Angle

Field cuttable every 1.97" / Top Bend

Average lifetime: L70 > 60,000 hours, reported

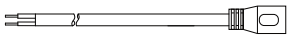
Warranty: 5-year warranty for parts and components (labor not included).

Color Temp. **3.6 W/ft**

2700K	260 lm/ft
3000K	275 lm/ft
3500K	275 lm/ft
4000K	280 lm/ft
5000K	280 lm/ft
6500K	280 lm/ft

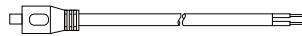
WIRING ACCESSORIES (The tape light comes with a 12-inch standard length female barrel connector attached to one side, along with an accessory kit)

WL-BCF-2PG-WH
(1 Piece included)



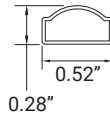
Female Barrel Connector
12" Length

WL-BCM-2PG-WH
(2 Pieces included)

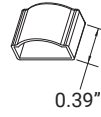


Male Barrel Connector
72" Length

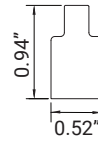
MFN-ST-ECG
(2 Pieces included)



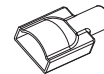
End Cap



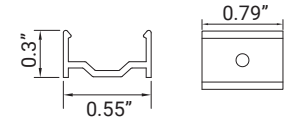
MFN-ST-ECG-PF
(2 Pieces included)



End Cap Power feed



ACC-CLPG-LB8000-MFN-ST
(15 Pieces Included)

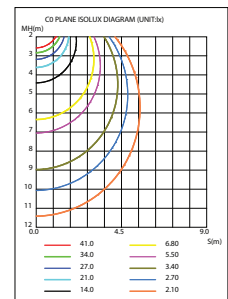
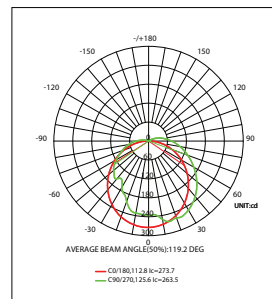


Aluminum Clip

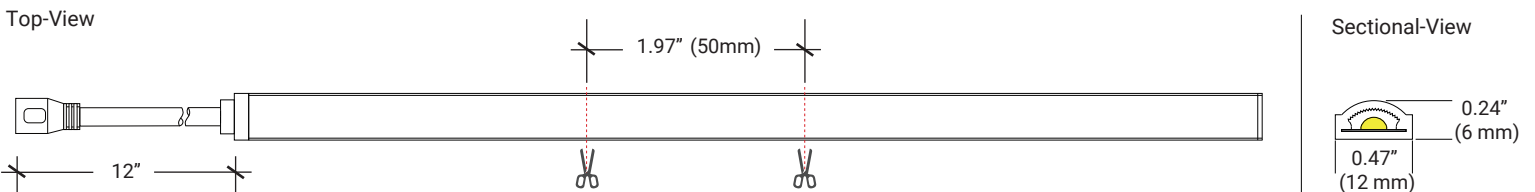
TECHNICAL DETAILS

Power	3.6 W/ft
Voltage	24V
CRI	90+
LPW	76 lm/W
LED Qty	146/ft
Max Run(ft)	16 ft
Cutting Length	Every 1.97" (field cuttable)
Dimensions	W0.47" X H0.24"
Working Temp.	-4°F +113°F / -20°C +45°C

LUMINOUS INTENSITY DISTRIBUTION DIAGRAM



DIMENSIONS



Remove the 3M adhesive tape on the back before cutting to expose the cutting line.

Due to the changes of constant improvement in LED technology, all details are subject to change without notice. Consult factory for up to date information.

End-Cap Installation for Field-Cut Tape Light

End Cap

Use the same method to install the end-cap power feed.

A
Remove the 3M adhesive tape on the back before cutting to expose the cutting lines.
Cutting Length: Every 1.97"

B
Cut the tape light at the designated lines to the needed length.

C
Apply UV glue to the end cap and the end of the body, then install it. Cure it with UV light to achieve an IP65 rating.

Aluminum Clip Installation

A
Install the clips to the surface with the included screws. We recommend installing the clips every foot to maintain proper tape-light tension.

B
After installing the clips, insert the tape light into the clips and ensure it is securely seated.

C
Finished.

ORDERING SELECTION

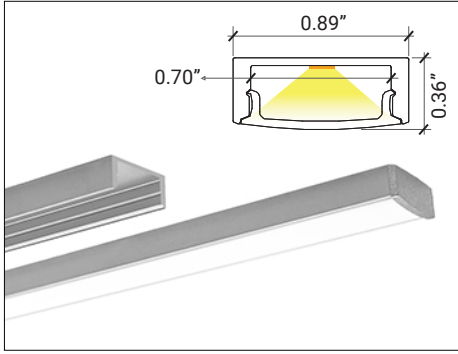
Example: LB8000-MFN-ST-3.6W-16F-27K-24V

LB8000-MFN-ST					End 1	End 2		
					Leave END blank when no ACCESSORY is desired			
SERIES	WATTAGE	LENGTH	CCT	VOLTAGE	WIRING ACCESSORIES		CHANNEL	DRIVER
LB8000-MFN-ST	3.6W - 3.6W/ft	16F - 16 ft Roll C - Custom 1 (Cutting length every 1.97")	27K - 2700K 30K - 3000K 35K - 3500K 40K - 4000K 50K - 5000K 65K - 6500K	24V - 24V	WL-BCF-2PG-WH - Female Connector 12" WL-BCM-2PG-WH - Male Connector 72" MFN-ST-ECG - End Cap MFN-ST-ECG-PF - End Cap/Power feed ACC-CLPG-LB8000-MFN-ST - Aluminum Clip KIT-ACC-LB8000-MFN-ST - Accessory Kit (INCLUDED)		Refer to the next pages for available options.	Refer to the next pages for available options.
						1 Female barrel connector. 2 Male barrel connectors. 2 End caps. 2 Power feed End caps. 15 Aluminum Clips.		
CONTROLLERS				SHIPPING OPTIONS				
LB-2830A - RF single color controller LB-2833N-K5-MONO - RF single color dimmer LED25W-24 - Power supply LB-1009EAWI - RF+WiFi receiver				RL - Rolls 16 ft PA - Pre-Assembled FA - Fully Assembled				

1. When cutting in the field, wiring accessories must be sealed with UV glue and cured using UV light to achieve an IP65 rating. For optimal results, we recommend customizing the lengths at the factory, as cutting the tape light in the field may damage the IP67-rated protection.

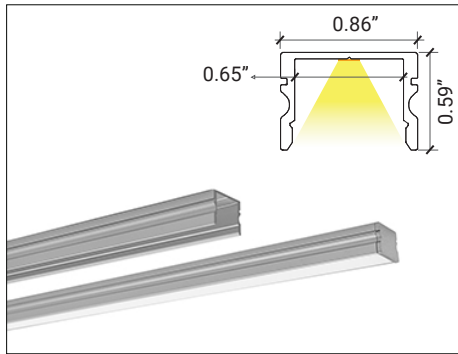


1 Consult factory for colors and optical lenses options.



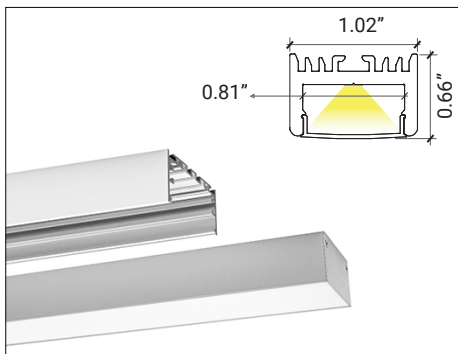
LP-SHC-CM-1/ Surface

SERIES	EXT. LENGTH	FINISH	OPTICAL LENS	TAPE LIGHT
LP-SHC-CM-1	2 - 2ft 4 - 4ft 8 - 8ft C - Custom	SI - Silver BK - Black WH - White	FTD - Flat Diffuser FTO - Flat Opal ¹ FTT - Flat Transparent ¹ FTB - Flat Black ¹	RL - Rolls PA - Pre-Assembled FA - Fully Assembled



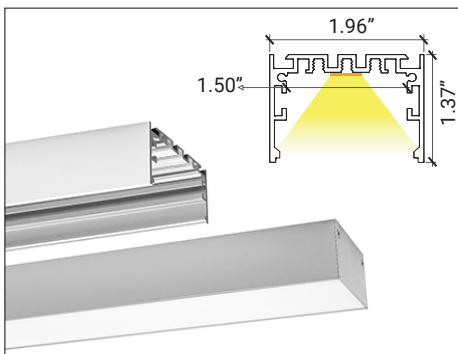
LP-MDC-CM-1/ Surface

SERIES	EXT. LENGTH	FINISH	OPTICAL LENS	TAPE LIGHT
LP-MDC-CM-1	2 - 2ft 4 - 4ft 8 - 8ft C - Custom	SI - Silver BK - Black WH - White	FTD - Flat Diffuser FTO - Flat Opal ¹ FTT - Flat Transparent ¹ FTB - Flat Black ¹	RL - Rolls PA - Pre-Assembled FA - Fully Assembled



LP-LGC-CM-1/ Surface

SERIES	EXT. LENGTH	FINISH	OPTICAL LENS	TAPE LIGHT
LP-LGC-CM-1	2 - 2ft 4 - 4ft 8 - 8ft C - Custom	SI - Silver BK - Black WH - White	FTD - Flat Diffuser FTO - Flat Opal ¹ FTT - Flat Transparent ¹ FTB - Flat Black ¹	RL - Rolls PA - Pre-Assembled FA - Fully Assembled

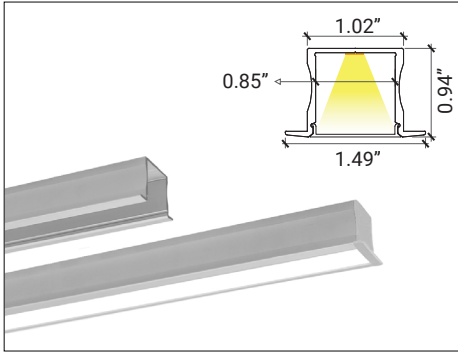


LP-LGC-CM-2/ Surface

SERIES	EXT. LENGTH	FINISH	OPTICAL LENS	TAPE LIGHT
LP-LGC-CM-2	2 - 2ft 4 - 4ft 8 - 8ft C - Custom	SI - Silver BK - Black WH - White	FTD - Flat Diffuser FTO - Flat Opal ¹ FTT - Flat Transparent ¹ FTB - Flat Black ¹	RL - Rolls PA - Pre-Assembled FA - Fully Assembled

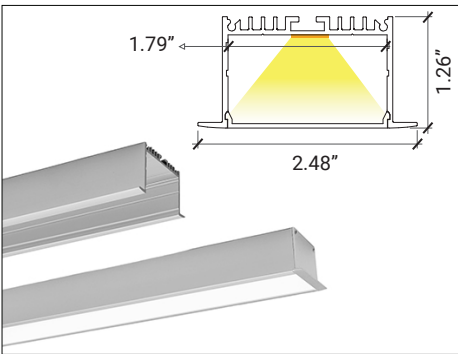


1 Consult factory for colors and optical lenses options.



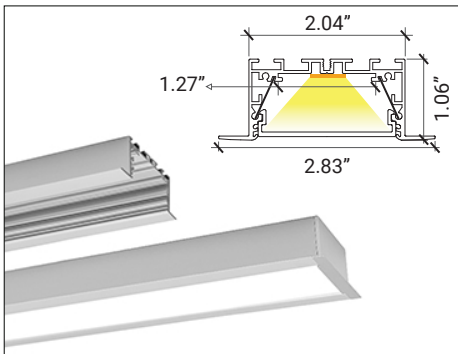
LP-LGC-RFT-1/ Recessed

SERIES	EXT. LENGTH	FINISH	OPTICAL LENS	TAPE LIGHT
LP-LGC-RFT-1	2 - 2ft 4 - 4ft 8 - 8ft C - Custom	SI - Silver BK - Black WH - White	FTD - Flat Diffuser FTO - Flat Opal ¹ FTT - Flat Transparent ¹ FTB - Flat Black ¹	RL - Rolls PA - Pre-Assembled FA - Fully Assembled



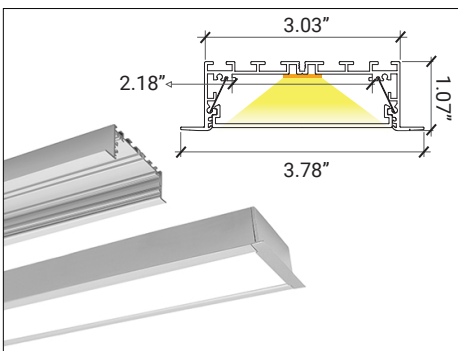
LP-SHC-RFT-2/ Recessed

SERIES	EXT. LENGTH	FINISH	OPTICAL LENS	TAPE LIGHT
LP-SHC-RFT-2	2 - 2ft 4 - 4ft 8 - 8ft C - Custom	SI - Silver BK - Black WH - White	FTD - Flat Diffuser FTO - Flat Opal ¹ FTT - Flat Transparent ¹ FTB - Flat Black ¹	RL - Rolls PA - Pre-Assembled FA - Fully Assembled



LP-MDC-RFT-2/ Recessed
Accessories Available, please refer to the channel spec sheet.

SERIES	EXT. LENGTH	FINISH	OPTICAL LENS	TAPE LIGHT
LP-MDC-RFT-2	2 - 2ft 4 - 4ft 8 - 8ft C - Custom	SI - Silver BK - Black WH - White	FTD - Flat Diffuser FTO - Flat Opal ¹ FTT - Flat Transparent ¹ FTB - Flat Black ¹	RL - Rolls PA - Pre-Assembled FA - Fully Assembled

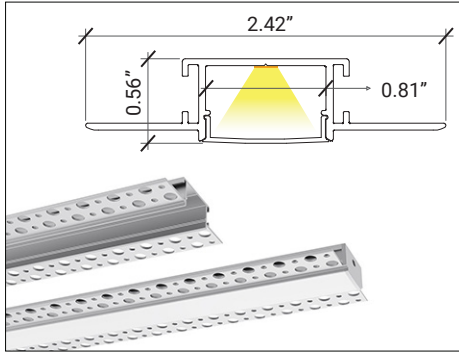


LP-LGC-RFT-2/ Recessed
Accessories Available, please refer to the channel spec sheet.

SERIES	EXT. LENGTH	FINISH	OPTICAL LENS	TAPE LIGHT
LP-LGC-RFT-2	2 - 2ft 4 - 4ft 8 - 8ft C - Custom	SI - Silver BK - Black WH - White	FTD - Flat Diffuser FTO - Flat Opal ¹ FTT - Flat Transparent ¹ FTB - Flat Black ¹	RL - Rolls PA - Pre-Assembled FA - Fully Assembled

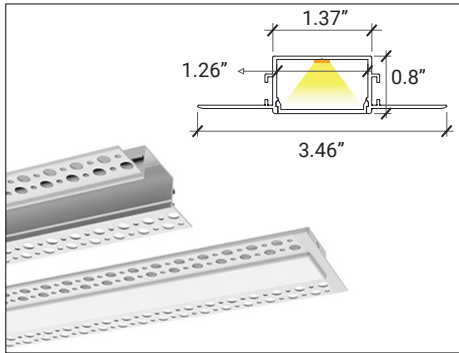


1 Consult factory for colors and optical lenses options.



LP-MDC-RTL-1/ Trimless

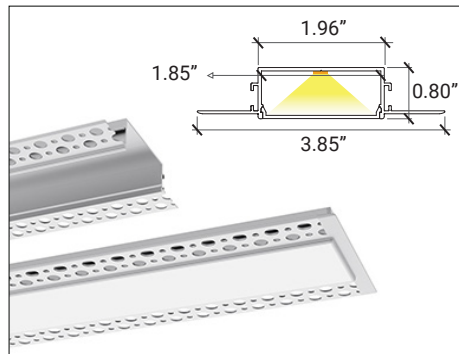
SERIES	EXT. LENGTH	FINISH	OPTICAL LENS	TAPE LIGHT
LP-MDC-RTL-1	2 - 2ft 4 - 4ft 8 - 8ft C - Custom	SI - Silver BK - Black WH - White	FTD - Flat Diffuser FTO - Flat Opal ¹ FTT - Flat Transparent ¹ FTB - Flat Black ¹	RL - Rolls PA - Pre-Assembled FA - Fully Assembled



LP-SHC-RTL-2/ Trimless

Accessories Available, please refer to the channel spec sheet.

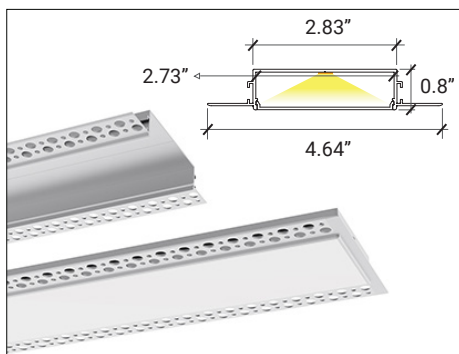
SERIES	EXT. LENGTH	FINISH	OPTICAL LENS	TAPE LIGHT
LP-SHC-RTL-2	2 - 2ft 4 - 4ft 8 - 8ft C - Custom	SI - Silver BK - Black WH - White	FTD - Flat Diffuser FTO - Flat Opal ¹ FTT - Flat Transparent ¹ FTB - Flat Black ¹	RL - Rolls PA - Pre-Assembled FA - Fully Assembled



LP-MDC-RTL-2/ Trimless

Accessories Available, please refer to the channel spec sheet.

SERIES	EXT. LENGTH	FINISH	OPTICAL LENS	TAPE LIGHT
LP-MDC-RTL-2	2 - 2ft 4 - 4ft 8 - 8ft C - Custom	SI - Silver BK - Black WH - White	FTD - Flat Diffuser FTO - Flat Opal ¹ FTT - Flat Transparent ¹ FTB - Flat Black ¹	RL - Rolls PA - Pre-Assembled FA - Fully Assembled



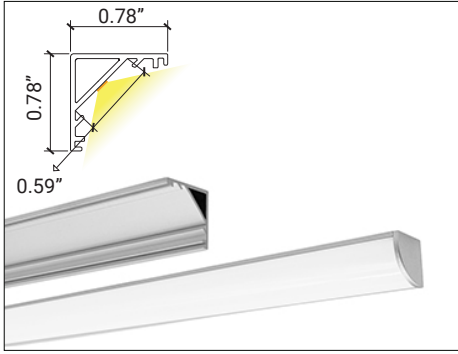
LP-LGC-RTL-2/ Trimless

Accessories Available, please refer to the channel spec sheet.

SERIES	EXT. LENGTH	FINISH	OPTICAL LENS	TAPE LIGHT
LP-LGC-RTL-2	2 - 2ft 4 - 4ft 8 - 8ft C - Custom	SI - Silver BK - Black WH - White	FTD - Flat Diffuser FTO - Flat Opal ¹ FTT - Flat Transparent ¹ FTB - Flat Black ¹	RL - Rolls PA - Pre-Assembled FA - Fully Assembled

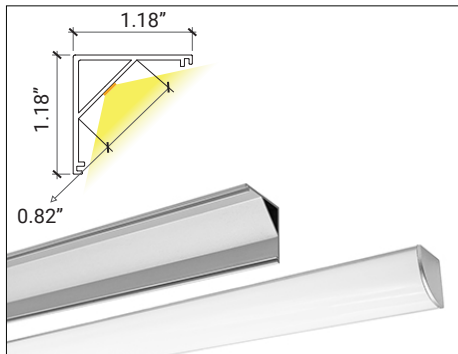


1 Consult factory for colors and optical lenses options.



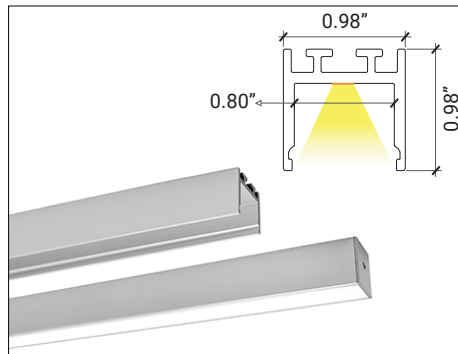
LP-LGC-S90-075/ Surface Corner

SERIES	EXT. LENGTH	FINISH	OPTICAL LENS	TAPE LIGHT
LP-LGC-S90-075	2 - 2ft 4 - 4ft 8 - 8ft C - Custom	SI - Silver BK - Black WH - White	90D - 90° Diffuser 90O - 90° Opal ¹ 90T - 90° Transparent ¹ 90B - 90° Black ¹ COD - Corner Diffuser COP - Corner Opal ¹ COT - Corner Transparent ¹ COB - Corner Black ¹	RL - Rolls PA - Pre-Assembled FA - Fully Assembled



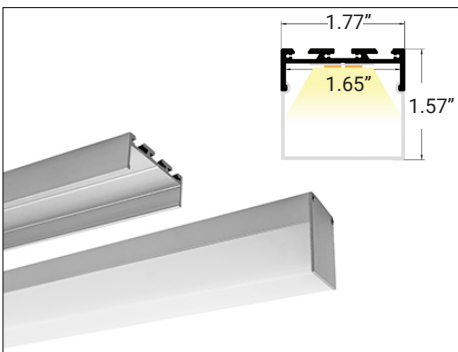
LP-LGC-S90-2/ Surface Corner

SERIES	EXT. LENGTH	FINISH	OPTICAL LENS	TAPE LIGHT
LP-LGC-S90-2	2 - 2ft 4 - 4ft 8 - 8ft C - Custom	SI - Silver BK - Black WH - White	90D - 90° Diffuser 90O - 90° Opal ¹ 90T - 90° Transparent ¹ 90B - 90° Black ¹ COD - Corner Diffuser COP - Corner Opal ¹ COT - Corner Transparent ¹ COB - Corner Black ¹	RL - Rolls PA - Pre-Assembled FA - Fully Assembled



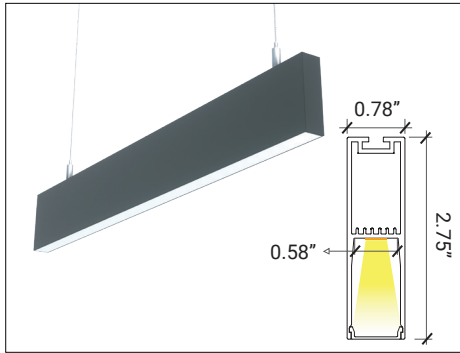
LP-MDC-SPD-1/ Suspended

SERIES	EXT. LENGTH	FINISH	OPTICAL LENS	CLIP	TAPE LIGHT
LP-MDC-SPD-1	2 - 2ft 4 - 4ft 8 - 8ft C - Custom	SI - Silver BK - Black WH - White	FTD - Flat Diffuser FTO - Flat Opal ¹ FTT - Flat Transparent ¹ FTB - Flat Black ¹	PC - Pendant Cable SC - Surface Clip	RL - Rolls PA - Pre-Assembled FA - Fully Assembled



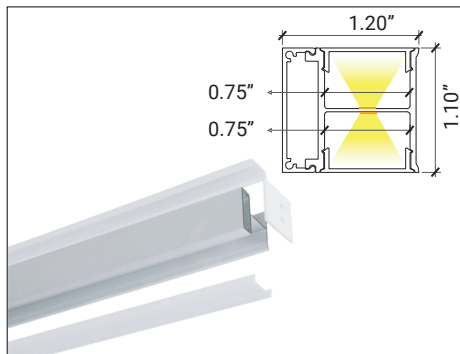
LP-SHC-SPD-2/ Suspended

SERIES	EXT. LENGTH	FINISH	OPTICAL LENS	TAPE LIGHT
LP-SHC-SPD-2	2 - 2ft 4 - 4ft 8 - 8ft C - Custom	SI - Silver BK - Black WH - White	FTD - Flat Diffuser FTO - Flat Opal ¹ FTT - Flat Transparent ¹ FTB - Flat Black ¹ 90D - 90° Diffuser 90O - 90° Opal ¹ 90T - 90° Transparent ¹ 90B - 90° Black ¹ TRD - Triangular Diffuser TRO - Triangular Opal ¹ TRT - Triangular Transparent ¹ TRB - Triangular Black ¹	RL - Rolls PA - Pre-Assembled FA - Fully Assembled



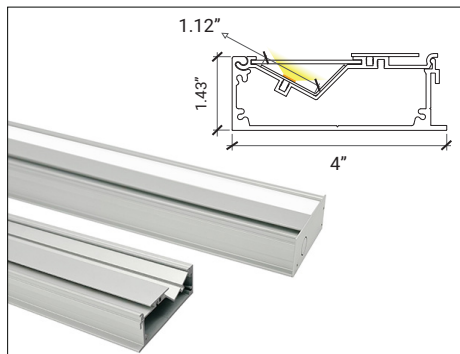
LP-MDC-SPD-2/ Suspended

SERIES	EXT. LENGTH	FINISH	OPTICAL LENS	TAPE LIGHT
LP-MDC-SPD-2	2 - 2ft 4 - 4ft 8 - 8ft C - Custom	BK - Black WH - White	FTD - Flat Diffuser FTO - Flat Opal ¹ FTT - Flat Transparent ¹ FTB - Flat Black ¹	RL - Rolls PA - Pre-Assembled FA - Fully Assembled



LP-MDC-WM-DI-1/ Surface / Up & Down Light

SERIES	EXT. LENGTH	FINISH	OPTICAL LENS	TAPE LIGHT
LP-MDC-WM-DI-1	2 - 2ft 4 - 4ft 8 - 8ft C - Custom	SI - Silver BK - Black WH - White	FTD - Flat Diffuser FTO - Flat Opal ¹ FTT - Flat Transparent ¹ FTB - Flat Black ¹	RL - Rolls PA - Pre-Assembled FA - Fully Assembled



LP-MDC-WW-RTL-2/ Cove

SERIES	EXT. LENGTH	FINISH	OPTICAL LENS	TAPE LIGHT
LP-MDC-WW-RTL-2	2 - 2ft 4 - 4ft 8 - 8ft C - Custom	SI - Silver BK - Black WH - White	FTD - Flat Diffuser FTO - Flat Opal ¹ FTT - Flat Transparent ¹	RL - Rolls PA - Pre-Assembled FA - Fully Assembled

Static White / Wall Controller (RF Signal)

This solution enables the strip light to function with a wall controller (RF signal). It includes the following components:

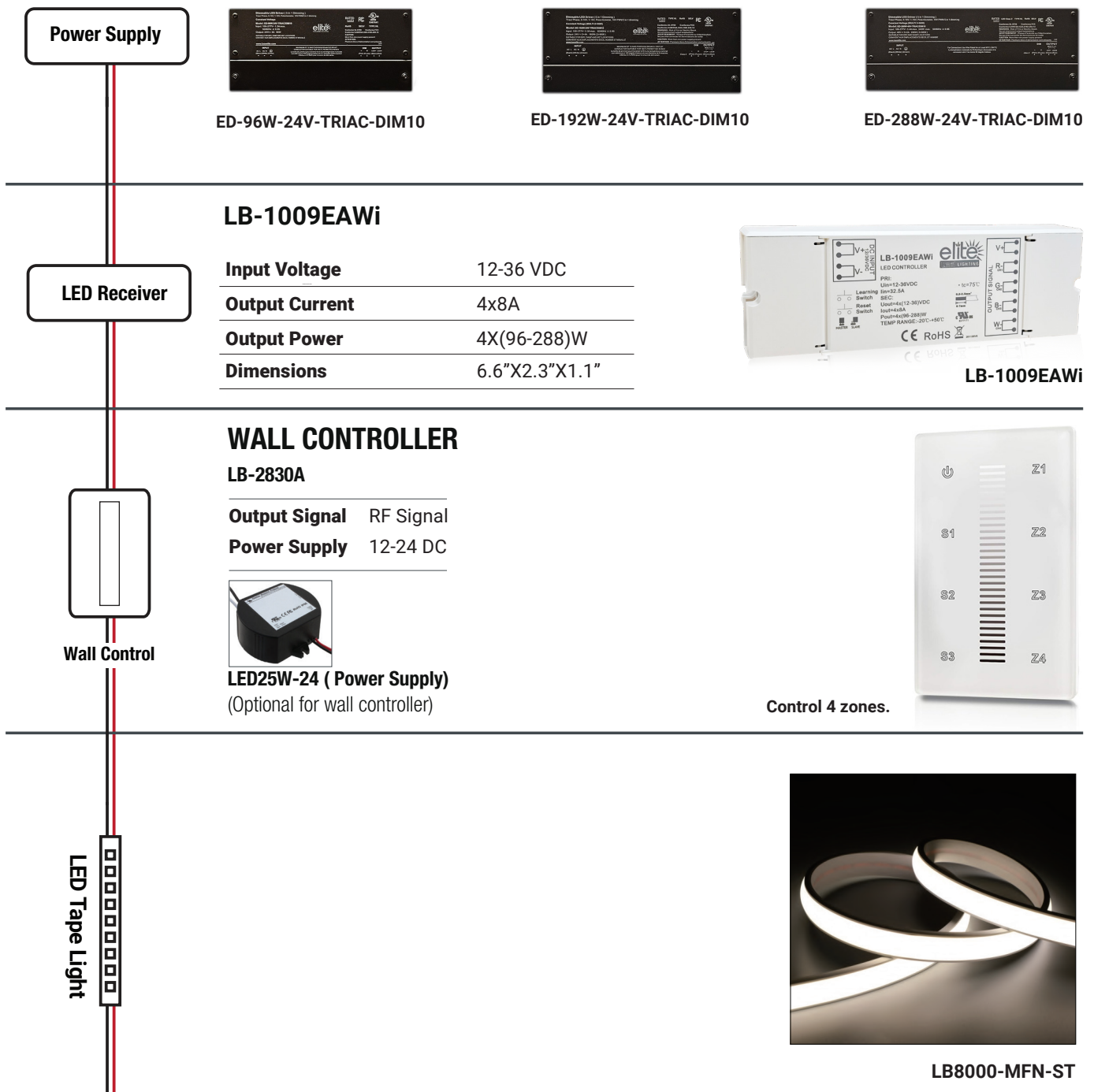
Driver – Powers the strip light.

Receiver – Receives signals from the wall controller to control the strip light.

Wall Controller (RF Signal) – Used to control the strip light remotely.

LED25W-24 Power Supply – Connected to the wall controller to convert the 120V AC from the wall outlet to 24V DC, which is necessary for the controller to function.

This configuration ensures seamless control of the strip light while maintaining the necessary power conversion and signal reception.



Static White / Wall Dimmer Controller (RF Signal)

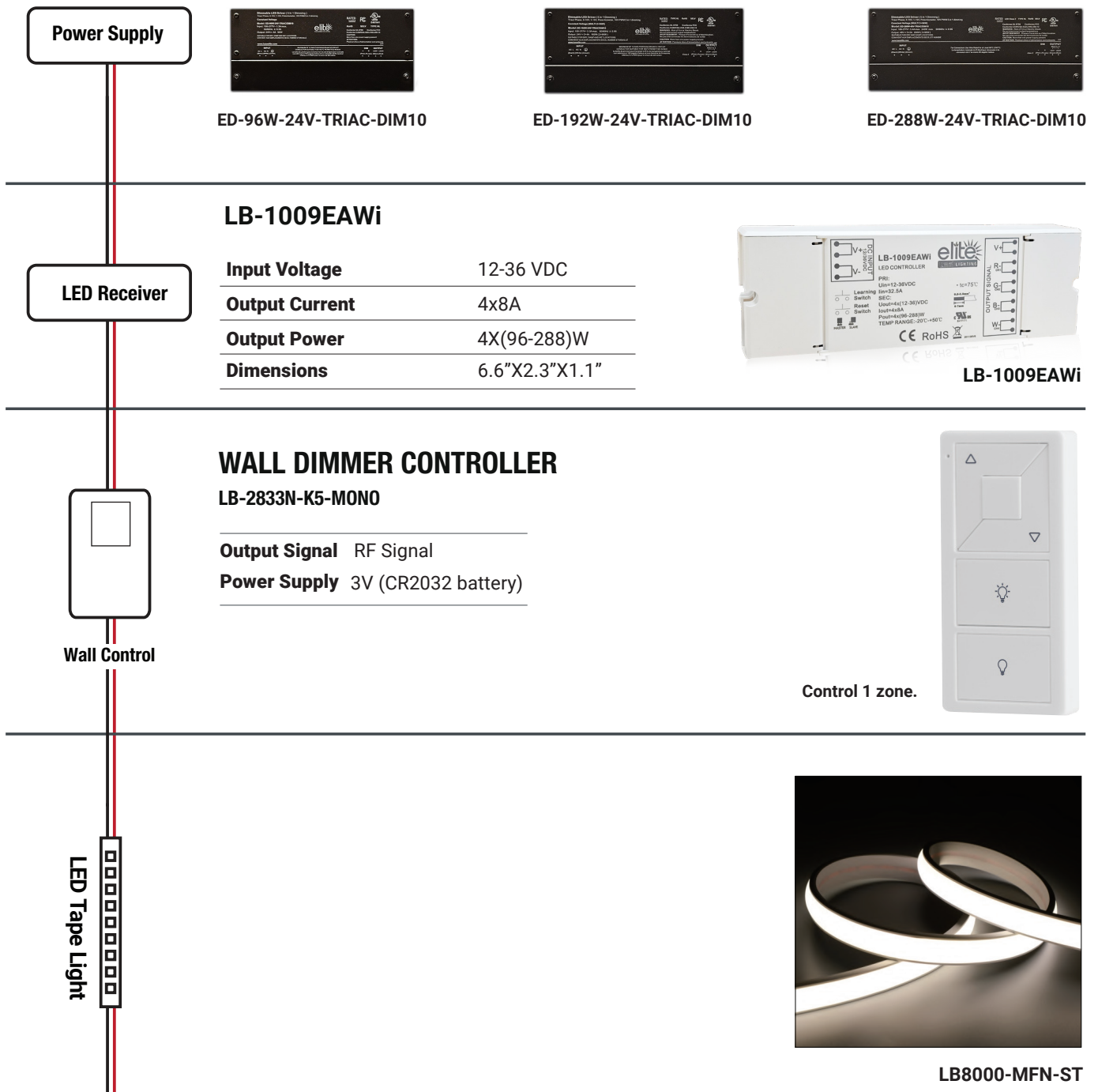
This solution enables the strip light to function with a wall dimmer controller (RF signal). It includes the following components:

Driver – Powers the strip light.

Receiver – Receives signals from the wall dimmer controller to control the strip light.

Wall Dimmer Controller (RF Signal) – Used to control the strip light remotely, powered by a 3V CR2032 battery.

This configuration ensures seamless control of the strip light while maintaining the necessary signal reception.

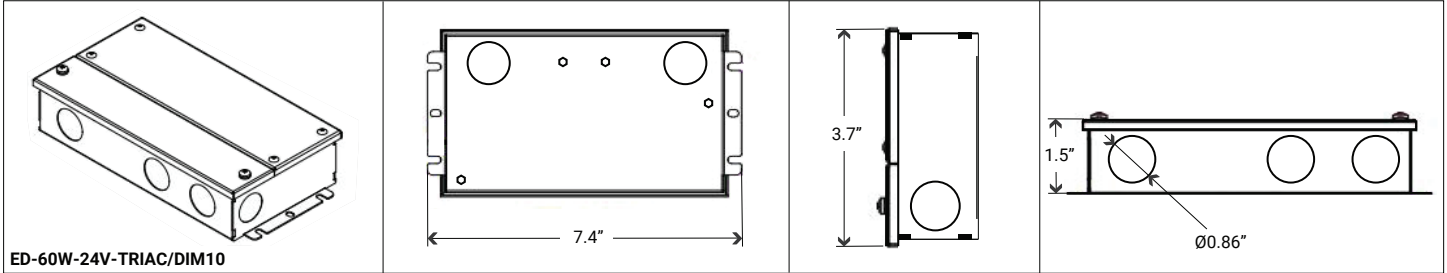


Triac-Phase Cut/Triac ELV/0-10V/1-10V PWM/Potentiometer (5 in 1) Dimmable

PN: ED-60W-24V-TRIAC/DIM10

Model	Input Voltage	Output Voltage	Wattage	Max. Output current	Frequency	Location	Certificate
ED-60W-24V-TRIAC/DIM10	100-277VAC	24V	60W	2.5A	50/60Hz	Dry, Damp, and Wet locations	UL, cUL, FCC, Class 2, RoHS

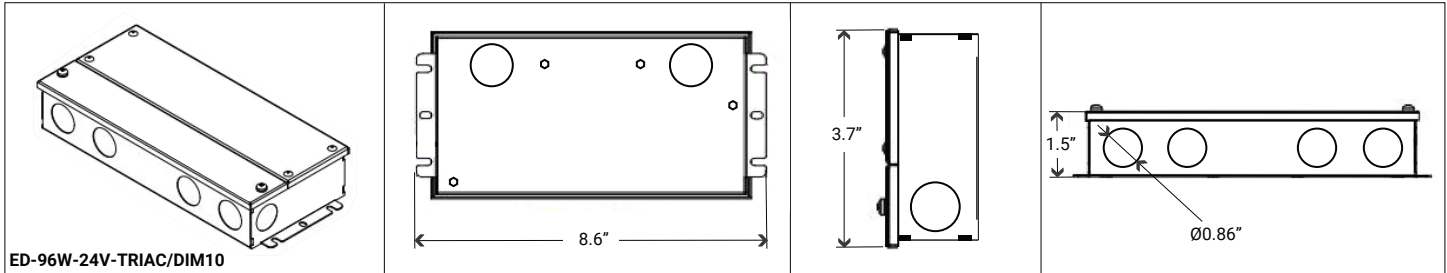
Dimensions



PN: ED-96W-24V-TRIAC/DIM10

Model	Input Voltage	Output Voltage	Wattage	Max. Output current	Frequency	Location	Certificate
ED-96W-24V-TRIAC/DIM10	100-277VAC	24V	96W	4A	50/60Hz	Dry, Damp, and Wet locations	UL, cUL, FCC, Class 2, RoHS

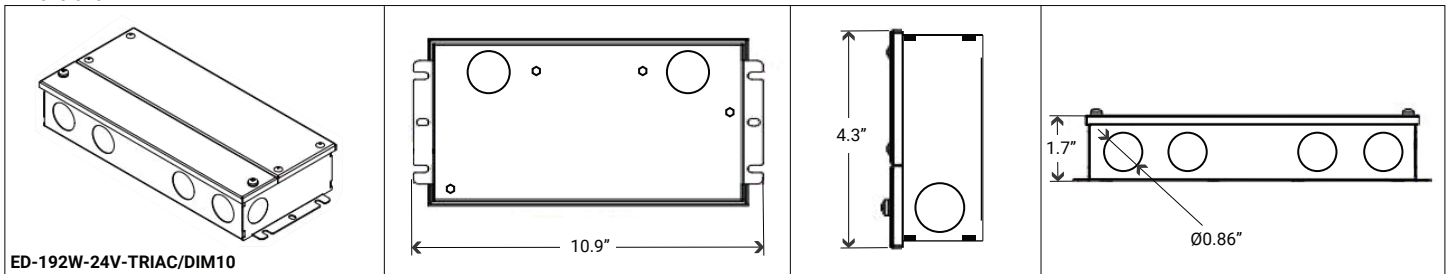
Dimensions



PN: ED-192W-24V-TRIAC/DIM10

Model	Input Voltage	Output Voltage	Wattage	Max. Output current	Frequency	Location	Certificate
ED-192W-24V-TRIAC/DIM10	100-277VAC	24V	192W	Multi 2X96W	50/60Hz	Dry, Damp, and Wet locations	UL, cUL, FCC, Class 2, RoHS

Dimensions

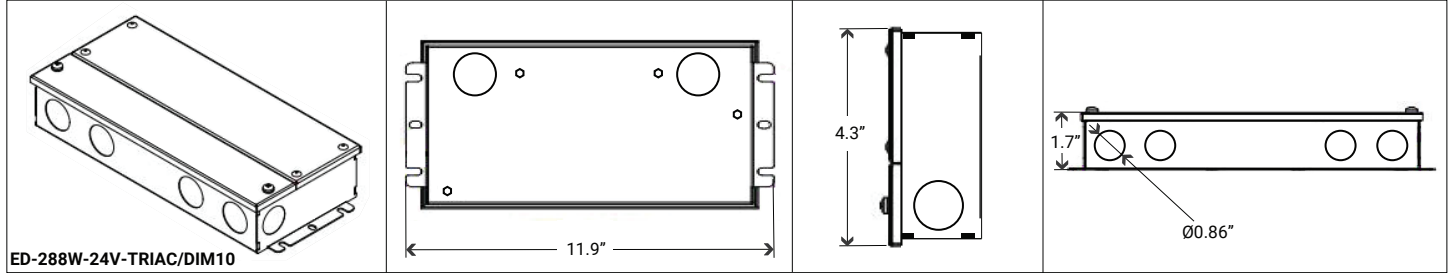


Triac-Phase Cut/Triac ELV/0-10V/1-10V PWM/Potentiometer (5 in 1) Dimmable

PN: ED-288W-24V-TRIAC/DIM10

Model	Input Voltage	Output Voltage	Wattage	Max. Output current	Frequency	Location	Certificate
ED-288W-24V-TRIAC/DIM10	100-277VAC	24V	288W	Multi 3X96W	50/60Hz	Dry, Damp, and Wet locations	UL, cUL, FCC, Class 2, RoHS

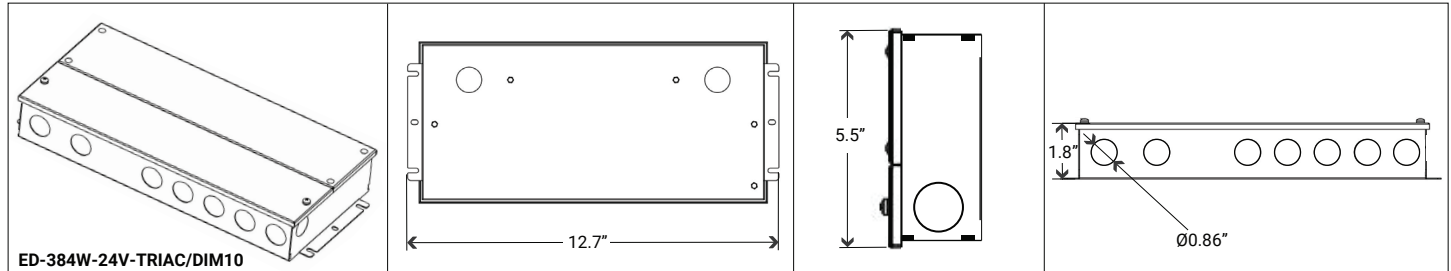
Dimensions



PN: ED-384W-24V-TRIAC/DIM10

Model	Input Voltage	Output Voltage	Wattage	Max. Output current	Frequency	Location	Certificate
ED-384W-24V-TRIAC/DIM10	110-277VAC	24V	384W	Multi 4X96W	50/60Hz	Dry, Damp, and Wet locations	UL, cUL, Class 2, RoHS

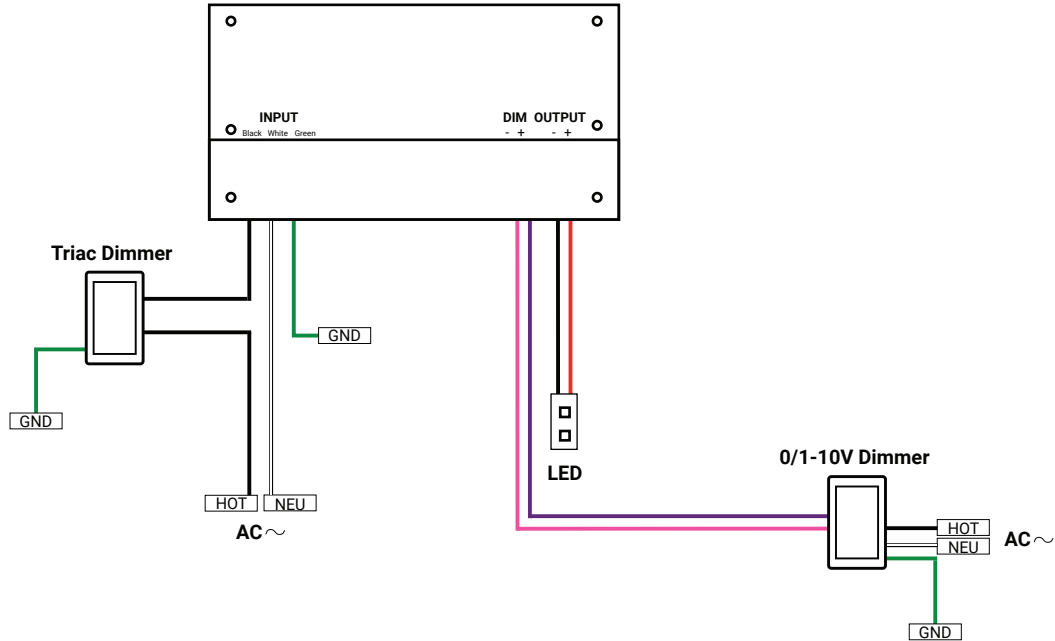
Dimensions



Dimming Operation and Wiring Diagram

TRIAC & 0/1 - 10V

When using two dimming methods at the same time, make sure the LED light is set to maximum output first. The brightness can then be adjusted with the second dimming method.



Single Dimming Method: TRIAC/Phase-Cut Dimming

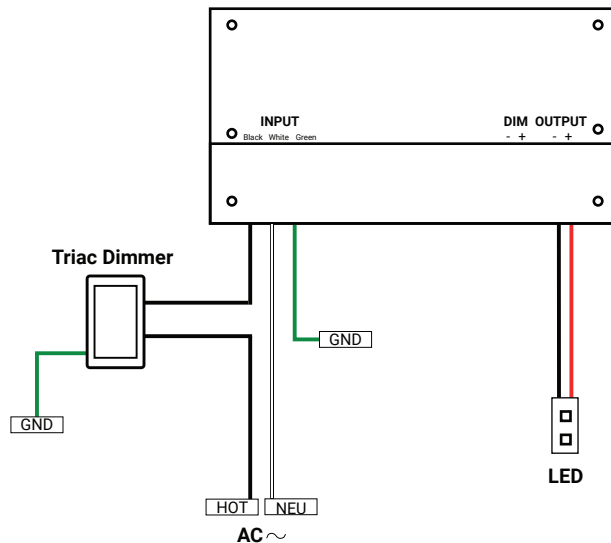
1-The Pulse-Width Modulation (PWM) of the output voltage can be adjusted through the input terminal of the AC phase line (L) by connecting a phase/TRIAC dimmer or lighting control system.

2-Works with forward-phase (MLV) and reverse-phase (ELV) TRIAC dimmers or lighting systems.

3-Minimum loading is approximately 10%.

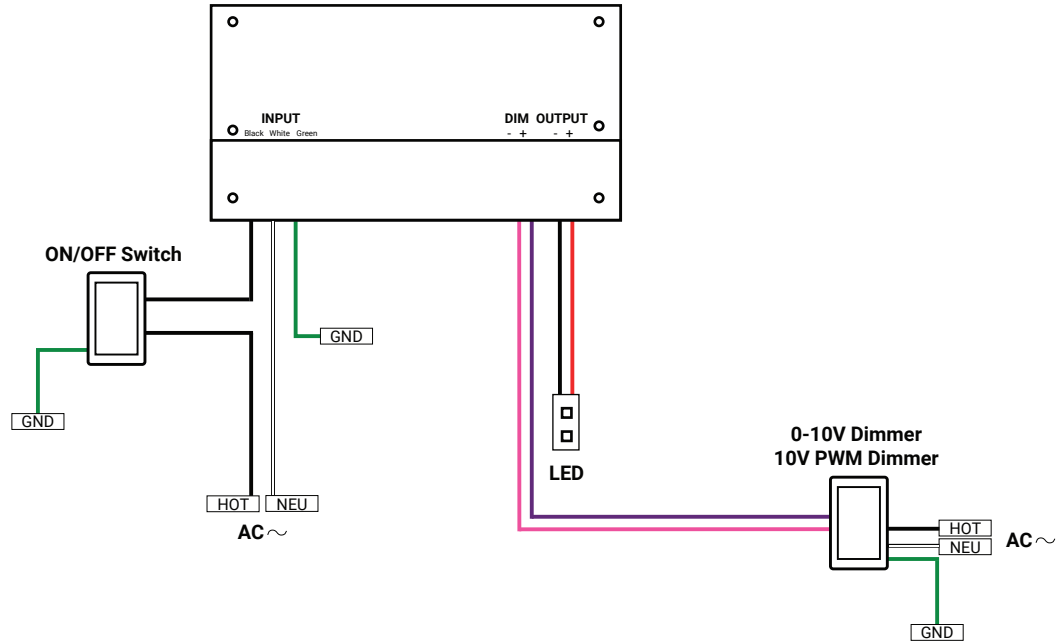
4-Use dimmers with a power rating at least 1.5 times the output power of the driver.

TRIAC

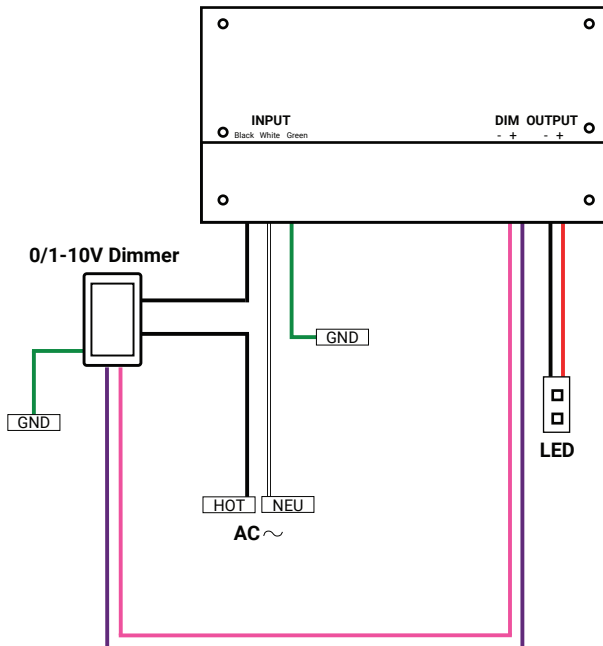


Using one Dimming Method: 0-10V / 1-10V / 10V PWM / Potentiometer Dimming

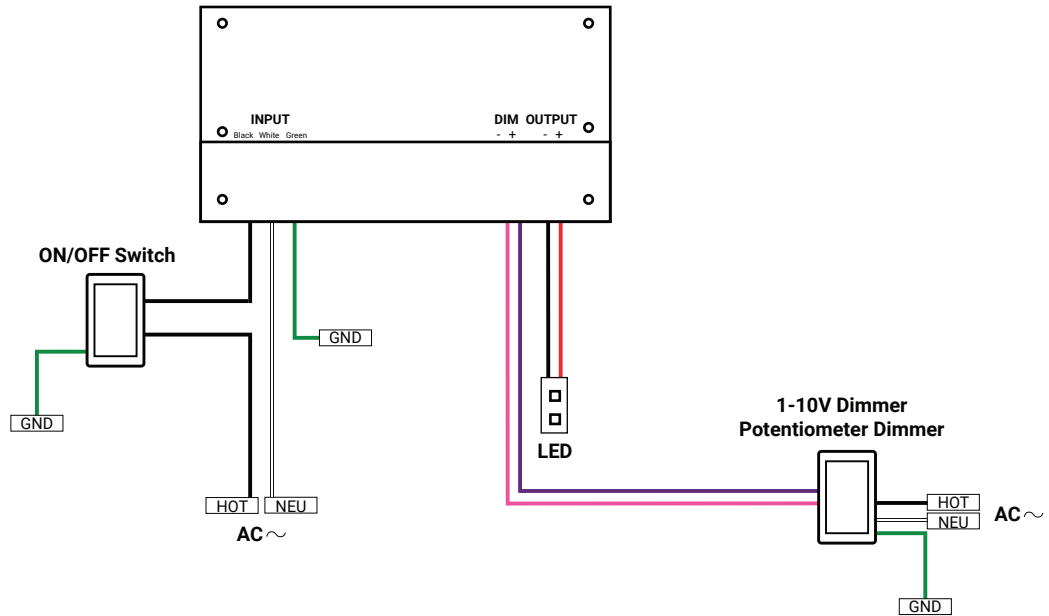
0-10V / 10V PWM



0/1 - 10V



1-10V / Potentiometer



WARNING

- This driver must be installed by a qualified professional.
- Provide adequate ventilation around the driver to ensure proper heat dissipation.
- Confirm all wiring connections are correct before testing to prevent damage to the light or power supply.
- If the driver is not operating correctly, do not attempt to repair it yourself.

Constant Voltage TRIAC Dimmable Driver

PN: HBL060-AW-24-DA

Model	Input Voltage	Output Voltage	Wattage	Rated Current	Frequency	Location	Certificate
HBL060-AW-24-DA	120-277VAC	24VDC	60W	2.5A	50/60Hz	Dry or Damp location	ETL, Class 2

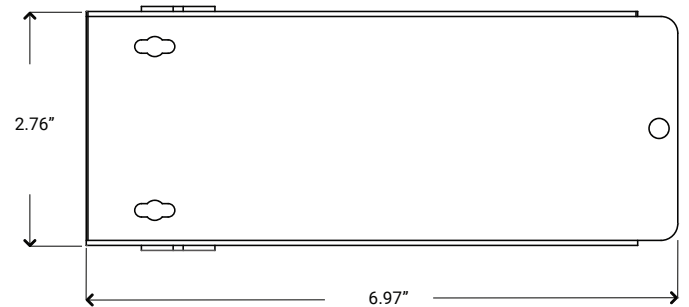
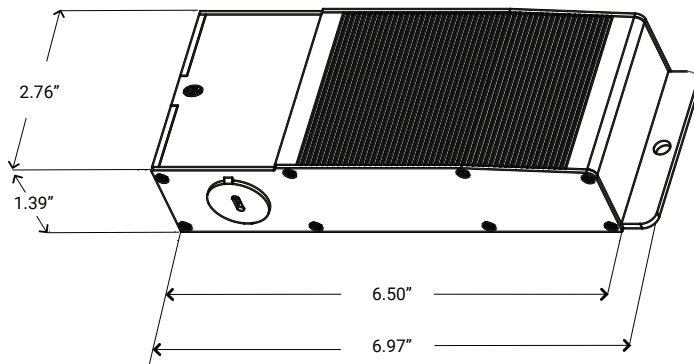
TRIAC Dimming for 120VAC / Non-Dimming for 277VAC

PN:HBL096-AW-24-DA

Model	Input Voltage	Output Voltage	Wattage	Rated Current	Frequency	Location	Certificate
HBL096-AW-24-DA	120-277VAC	24VDC	96W	4A	50/60Hz	Dry or Damp location	ETL, Class 2

TRIAC Dimming for 120VAC / Non-Dimming for 277VAC

DIMENSIONS

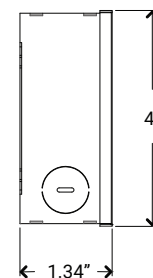
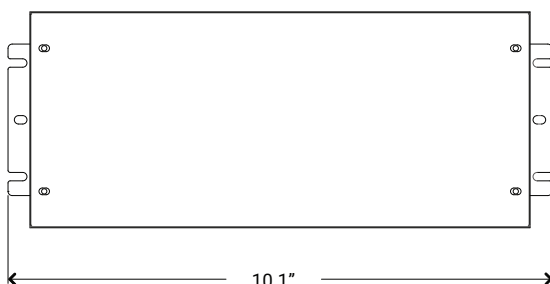


PN:HBL150-AW-24-DI

Model	Input Voltage	Output Voltage	Wattage	Rated Current	Location	Certificate
HBL150-AW-24-DI	120-277VAC	24VDC	150W	6.25A	Dry or Damp location	ETL, Class P

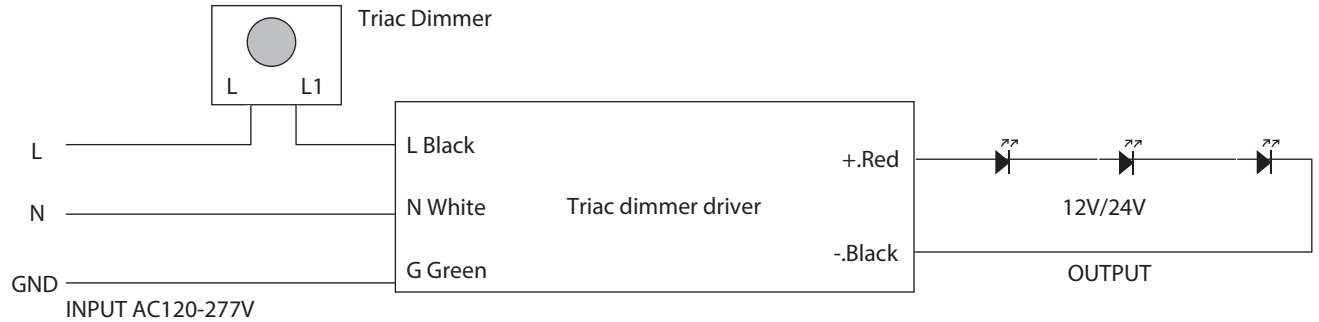
TRIAC Dimming for 120VAC / Non-Dimming for 277VAC

DIMENSIONS



Constant Voltage TRIAC Dimmable Driver

Connecting Diagram



Dimmer Compatible Chart

Brand	Series	Model	Load	Dimmability
Lutron	Ariadni	AYCL-153P	150W	10%-100%
	Diva	DV-600PR	600W	1%-100%
	Diva	DVCL-153P	150W	10%-100%
	Maestro	MACL-153MH	600W	10%-100%
	Maestro Wireless	MRF2-6CL	150W	10%-100%
	Rotary	D-600P	600W	10%-100%
	Electronic(ELV)	NTELV-300P	600W	10%-100%
	Skylark	S-600P	600W	10%-100%
	Skylark Conytour	CT-600P	600W	1%-100%
	Skylark Conytour	CTCL-153P	150W	10%-100%
	Toggler	TG-600P	600W	10%-100%
Toggler	TCCL-153P	150W	10%-100%	
Leviton	Sureslide	6633	600W	10%-100%
	Sureslide Decora	6674	600W	20%-100%
	Trimatron	6602	600W	20%-100%
	ILLVMATECH	IPL06	600W	1%-100%
Legrand	Adorne	ADTP703TU	700W	20%-100%
	Harmony	H703PTW	700W	10%-100%
Cooper	Aspire	9540	1000W	10%-100%
	Devine	DAL06P	300W	10%-100%



LB-2830A RF Single Color Controller

- Ultra-sensitive, high-strength glass touch panel features a color line for accurate, fast, and precise brightness control.
- Control 4 different zones separately or synchronously with endless receivers in each zone.
- Save 3 brightness or scenes for each zone.
- 256-level brightness adjustment for each white.
- Receivers can work with WiFi-RF converter after installing “EasyLighting” app on IOS and android systems.

TECHNICAL DETAILS

Output Signal	RF Signal
Power Supply	12-24 VDC
Power Consumption	<20 mA
Operating Temperature	0-40°C / 32°F-104°F
Dimensions	4.7”X2.9”X1.1”
Mounting	Wall Mount
Color	White

Certifications	FCC / RoHS
Zones	4
Frequency	916.5MHz
Surface	Glass
Control	Single Color
Warranty	5 Years limited warranty



LB-2833N-K5-MONO Single Color Dimmer

RF wireless Single Color Remote can control 1 zone of receiver. This single color controller is compatible with all universal series RF receivers. **One receiver can be paired with a maximum of 8 remote controllers.** This device contains a button lithium battery that should be stored and disposed of properly. **DO NOT expose the device to moisture.**

TECHNICAL DETAILS

Output Signal	RF Signal
Power Supply	3V (CR2032 battery)
Operating Temperature	0-40°C / 32°F-104°F
Dimensions	2.5”X1.2”X0.35”
Color	White

Certifications	FCC / RoHS
Zones	Control 1 Zone of receiver
Frequency	916.5MHz
Rated	IP20
Warranty	5 Years limited warranty



LB-1009EAWI RF+WiFi Receiver/LED Controller 4Channels

The RGBW controller LB-1009EAWI is a 12-36 VDC constant voltage RF and WiFi controller with 4 channel output, offering 8A per channel. It is compatible with a variety of RF remotes and apps installed on iOS and Android systems, enabling control of single-color, dual-color LEDs, and RGBW LEDs.

Multiple zones can be controlled separately or synchronously with endless receivers in each zone. Built-in changing patterns are available and can be saved to each zone. The brightness of each R, G, B, W channel can be adjusted separately to achieve millions of changing colors.

Thanks to the built-in WiFi to RF module, a significant advantage of this WiFi controller is its compatibility with RF remotes and apps on iOS and Android systems directly, without the need for a WiFi-RF converter.

A free app is available (Easylighting) from the App Store and Google Play. Simply download it on your iOS or Android device, then search and connect your mobile device WLAN to the WiFi controller network.

TECHNICAL DETAILS

Input Voltage	12-36 VDC
Output Current	4x8A
Output Power	4x(96-288)W
Dimensions	6.6"X2.3"X1.1"

Frequency	869.5/916.5/434mhz
Certifications	FCC / RoHS
Color	White
Warranty	5-Years limited warranty



LED25W-24 (Power Supply) Optional for Wall Controller

- Total Power: 25 Watts
- Input Voltage: 100-277 VAC
- UL Dry & Damp Location Rated
- IP66
- High Efficiency
- High Power Factor
- Analog Dimming (0-10V)
- Black Magic Thermal Advantage, Plastic Housing