

## FREE-CUT CUTTABLE ANYWHERE



## FEATURES

The Dual-Bend Black-Jacketed Free-Cut Flex Neon LED Strip Light is a durable, high-performance linear lighting solution designed for both indoor and outdoor applications. Its dual-bend construction allows for both top and side-bending, enabling easy installation on flat, curved, or complex surfaces.

The black jacket makes this flex neon tape light especially well suited for applications with dark materials and finishes. It provides continuous, smooth, dot-free illumination and includes free-cut capability, allowing it to be cut to any length in the field for maximum design flexibility.

Rated IP67 and IK06, and available in three CCT options—2700K, 3000K, and 4000K—it is ideal for architectural, decorative, and functional lighting in both residential and commercial environments. Typical applications include outdoor and wet locations, decorative lighting, and architectural accents.

- Max run up to 16 ft
- Indoor-Outdoor/Wet Location (IP67)
- Top and Side Bend / 90° Beam Angle
- Average lifetime: L70 > 60,000 hours, reported
- Warranty: 5-year warranty for parts and components (labor not included).

### Color Temp.      4.3 W/ft

2700K	35 lm/ft
3000K	35 lm/ft
4000K	40 lm/ft

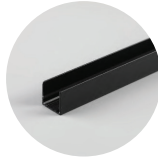
## MOUNTING TRACK

### LB8000-16-BAT-BK



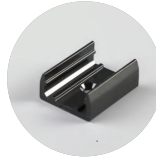
Bendable Aluminum Track  
3.2 ft Length

### LB8000-16-FL-CH-BK



Flangeless Channel  
3.2 ft Length

### LB8000-16-AL-CL-BK



Aluminum Clip

### LB8000-16-PCG-CLIP-BAG



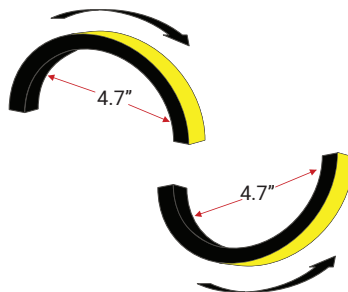
PC Mounting Clip / 50 clips per bag

## TECHNICAL DETAILS

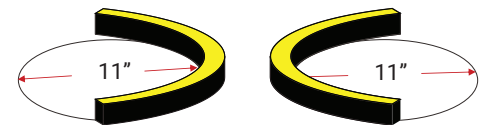
Power	4.3 W/ft
Voltage	24V
CRI	90+
LPW	9 lm/W
IP	IP67
LED Qty	43/ft
Max Run(ft)	16 ft
Dimensions	W0.63" x H0.63"
Working Temp.	-4°F +113°F / -20°C +45°C

## BEND DIAMETER

### Top-Bend



### Side-Bend



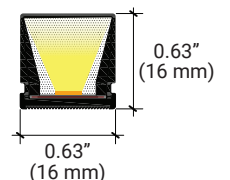
**Do not bend the Flex-Neon tape light beyond its specified bending diameter, as this may cause damage and will not be covered under warranty.**

## DIMENSIONS

### Side View

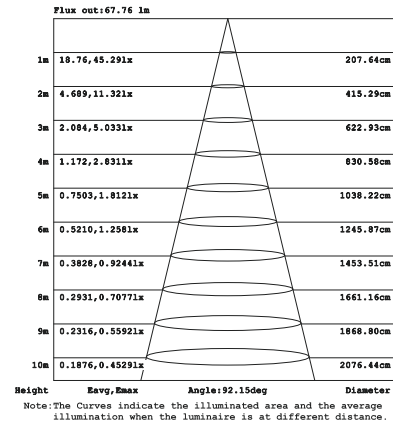
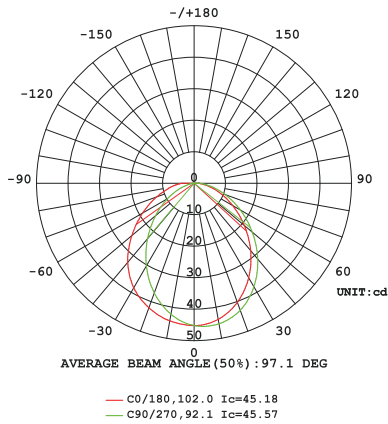


### Sectional View



The tape light comes with a 12-inch standard length female barrel connector with anti-wicking, attached to one side, along with an accessory kit.

## Luminous Intensity Distribution Diagram



## ACCESSORIES

**LB8000-16-ECG-BK**  
(2 End caps included)



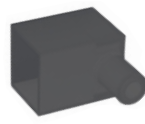
Silicone end cap  
L 0.87" x W 0.74" x H 0.74"

**LB8000-16-EC-PFG-BK**  
(2 End caps included)



Silicone end cap power feed  
L 1.38" x W 0.71" x H 0.71"

**LB8000-16-EC-PF-BFG-BK**  
(2 End caps included)



Silicone end cap side bottom power feed  
L 1.18" x W 0.71" x H 0.79"

**WL-BCF-2PG-BK**  
(1 Piece included)



Female barrel connector with anti-wicking ferrule  
12" Length

**WL-BCM-2PG-BK**  
(2 Pieces included)



Male barrel connector  
72" Length

## ORDERING SELECTION

Example: LB8000-16-DB-BK-FC-ST-4.3W-16F-30K-24V

SERIES	WATTAGE	LENGTH	CCT	VOLTAGE	ACCESSORIES	DRIVER
LB8000-16-DB-BK-FC-ST	4.3W - 4.3W/ft	16F - 16 ft/Roll CUS_ - Custom	27K - 2700K 30K - 3000K 40K - 4000K	24V - 24V	<b>LB8000-16-BAT-BK</b> - Bendable AL. Track 3.2 ft Length <b>LB8000-16-FL-CH-BK</b> - Flangeless AL. Channel 3.2 ft Length <b>LB8000-16-AL-CL-BK</b> - Aluminum Clip <b>LB8000-16-PCG-CLIP-BAG</b> - PC Mounting Clip / 50 clips per bag <b>LB8000-16-ECG-BK</b> - Silicone End Cap <b>LB8000-16-EC-PFG-BK</b> - Silicone End Cap/power feed <b>LB8000-16-EC-PF-BFG-BK</b> - Silicone end cap/side bottom power feed <b>WL-BCF-2PG-BK</b> - Female Barrel Connector 12" Length <b>WL-BCM-2PG-BK</b> - Male Barrel Connector 72" Length <b>KIT-ACC-LB8000-16-DB-BK-FC-ST</b> - Accessory Kit (INCLUDED) 2 end caps, 2 power feed end caps, 2 bottom power feed end caps, 1 female barrel connector, and 2 male barrel connectors.	Refer to the next pages for available options.

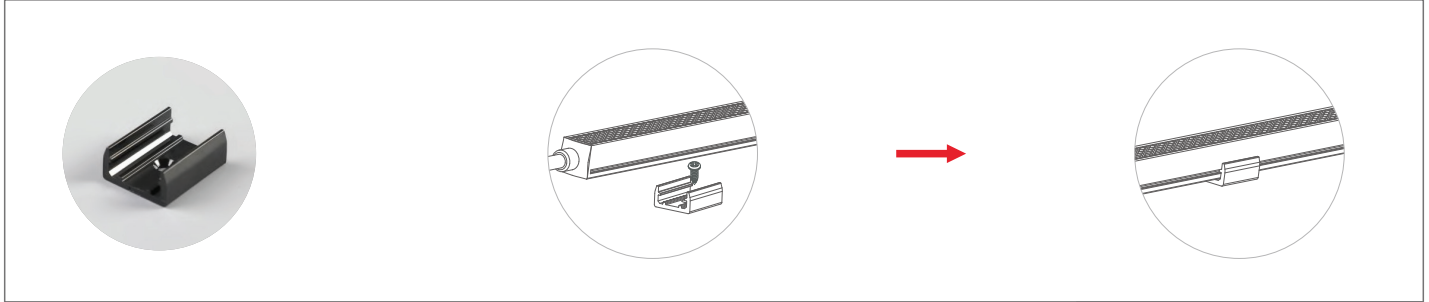
**CONTROLLERS**

LB-2830A - RF single color controller  
 LB-2833N-K5-MONO - RF single color dimmer  
 LED25W-24 - Power supply  
 LB-1009EAWI - RF+WIFI receiver

1. When cutting in the field, wiring accessories must be sealed with UV glue and cured using UV light to achieve an IP65 rating. For optimal results, we recommend customizing the lengths at the factory, as cutting the tape light in the field may damage the IP67-rated protection.

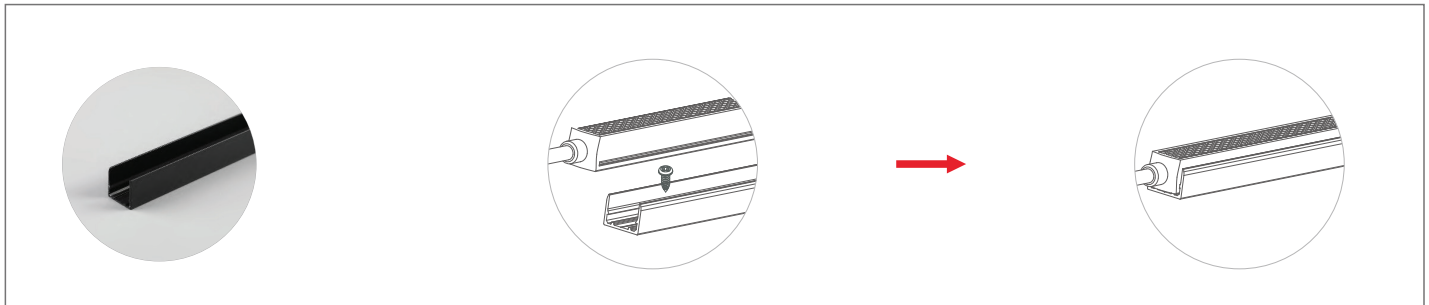
## Mounting Track Installation

### LB8000-16-AL-CL-BK Aluminum Clip



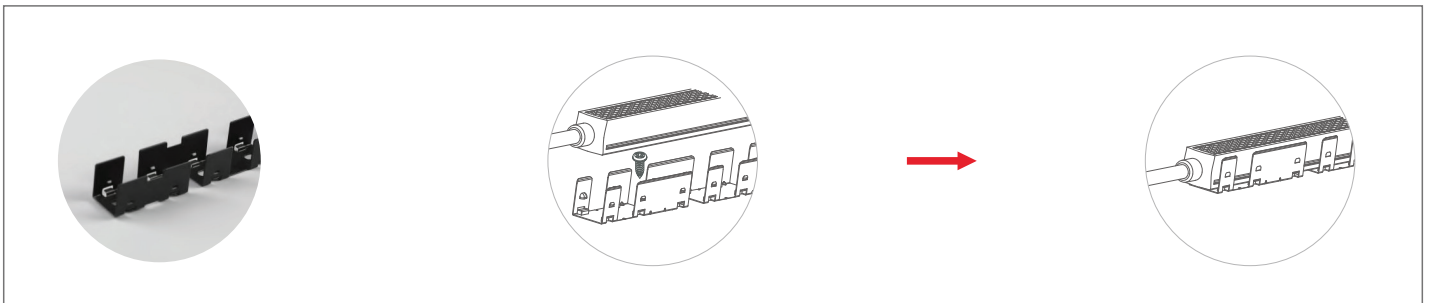
Mounting clips are secured using screws. For optimal alignment and straight installation, it is recommended to install an aluminum mounting clip every (1 ft) to maintain a clean, linear appearance and prevent waviness.

### LB8000-16-FL-CH-BK Flangeless Channel



The flangeless aluminum channel is secured using screws. For optimal alignment and straight installation, it is recommended to install a flangeless aluminum channel every (3 ft) to maintain a clean, linear appearance and prevent waviness.

### LB8000-16-BAT-BK Bendable Aluminum Track



The bendable aluminum track is secured using screws. For smooth curves and proper installation, it is recommended to install a bendable aluminum track every (1 ft) to maintain a clean, continuous appearance.

## Static White / Wall Controller (RF Signal)

This solution enables the strip light to function with a wall controller (RF signal). It includes the following components:

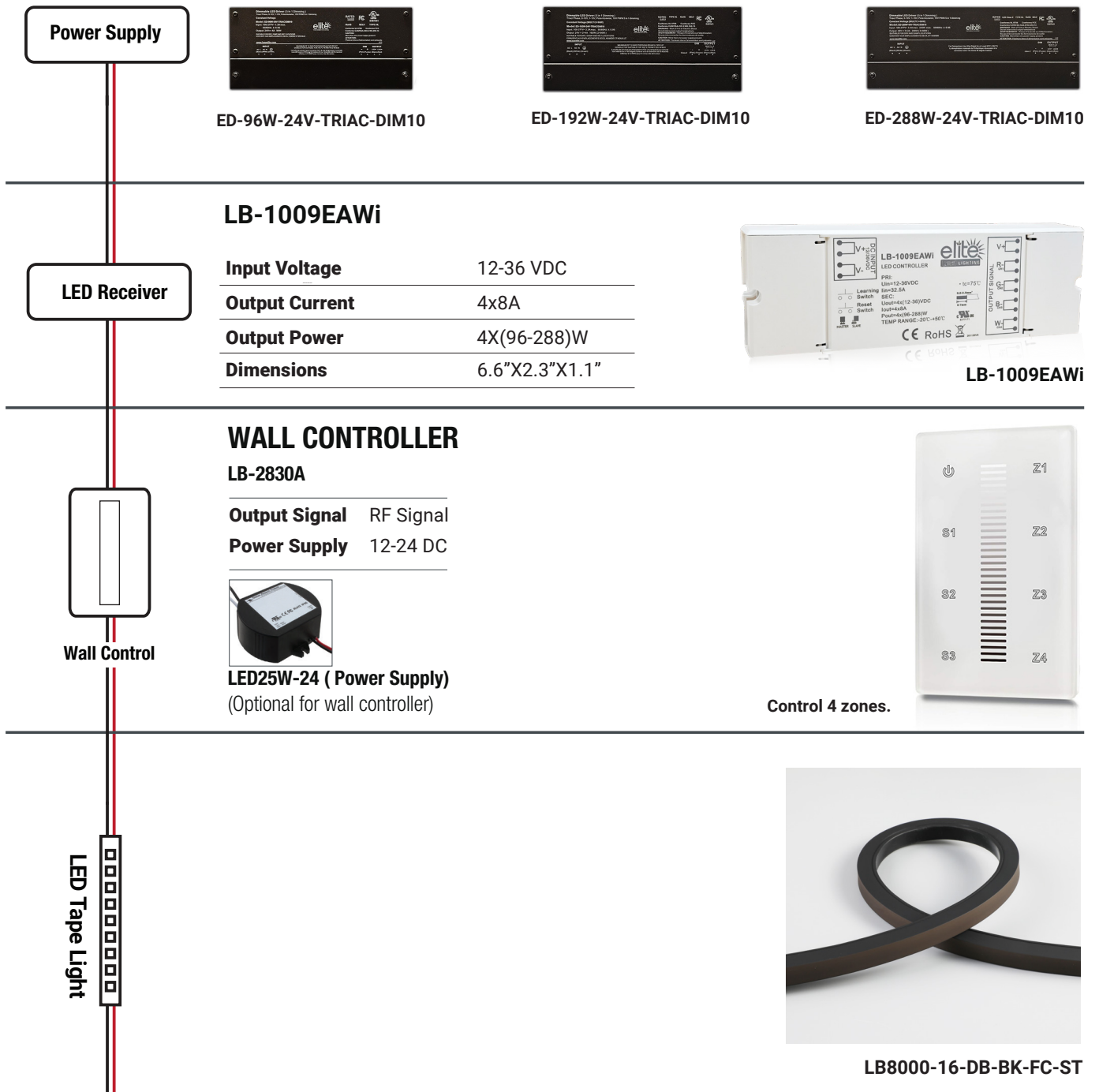
**Driver** – Powers the strip light.

**Receiver** – Receives signals from the wall controller to control the strip light.

**Wall Controller (RF Signal)** – Used to control the strip light remotely.

**LED25W-24 Power Supply** – Connected to the wall controller to convert the 120V AC from the wall outlet to 24V DC, which is necessary for the controller to function.

This configuration ensures seamless control of the strip light while maintaining the necessary power conversion and signal reception.



## Static White / Wall Dimmer Controller (RF Signal)

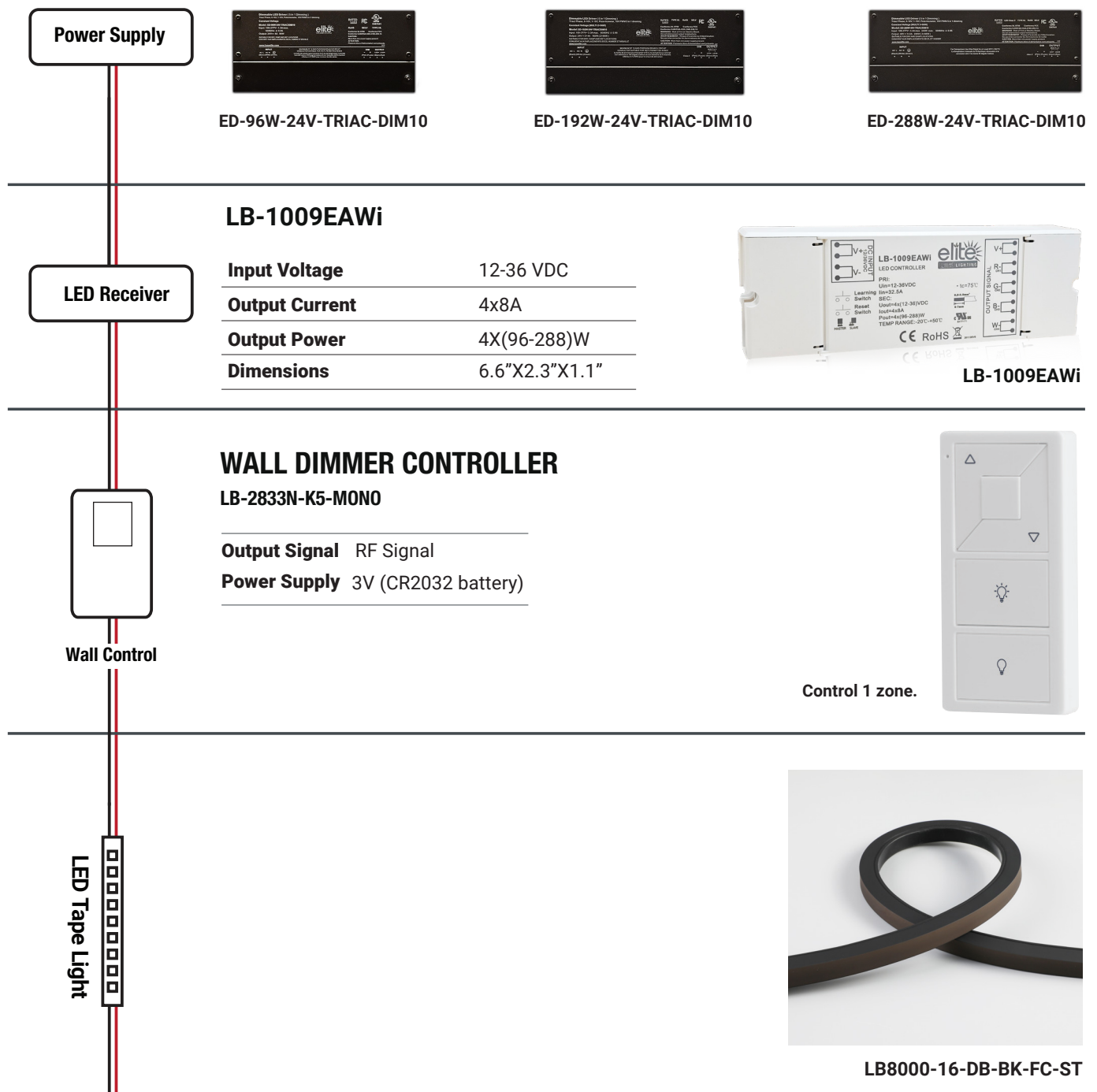
This solution enables the strip light to function with a wall dimmer controller (RF signal). It includes the following components:

**Driver** – Powers the strip light.

**Receiver** – Receives signals from the wall dimmer controller to control the strip light.

**Wall Dimmer Controller (RF Signal)** – Used to control the strip light remotely, powered by a 3V CR2032 battery.

This configuration ensures seamless control of the strip light while maintaining the necessary signal reception.

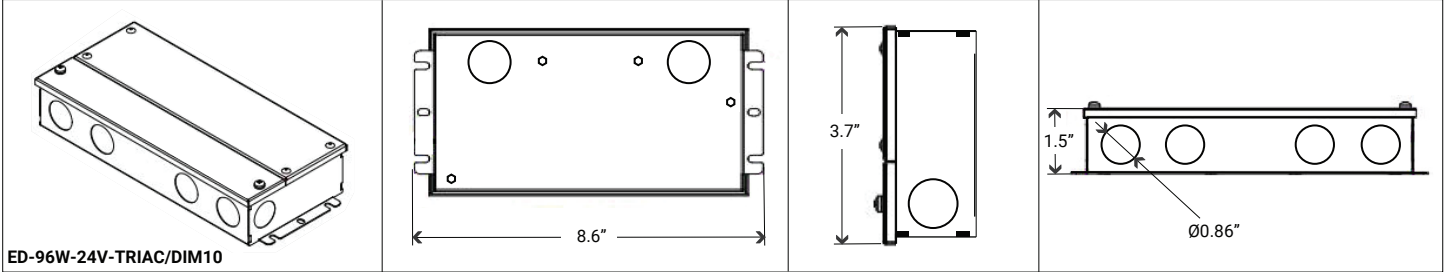


**Triac-Phase Cut/Triac ELV/0-10V/1-10V PWM/Potentiometer (5 in 1) Dimmable**

**PN: ED-96W-24V-TRIAC/DIM10**

Model	Input Voltage	Output Voltage	Wattage	Max. Output current	Frequency	Location	Certificate
ED-96W-24V-TRIAC/DIM10	100-277VAC	24V	96W	4A	50/60Hz	Dry, Damp, and Wet locations	UL, cUL, FCC, Class 2, RoHS

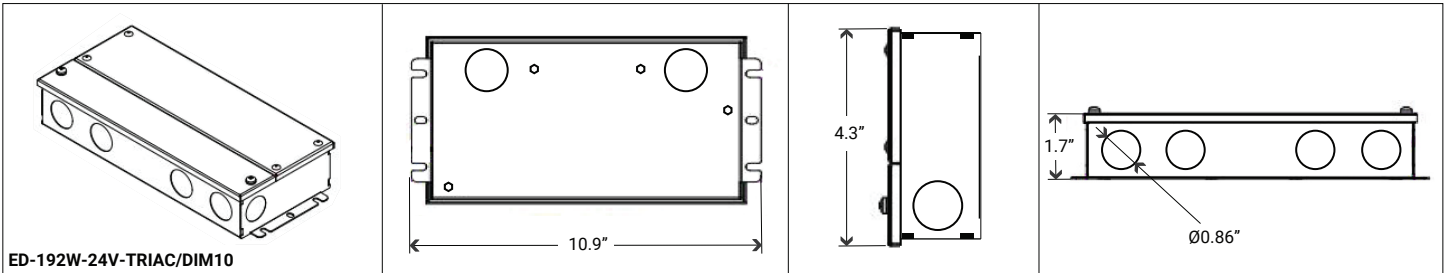
**Dimensions**



**PN: ED-192W-24V-TRIAC/DIM10**

Model	Input Voltage	Output Voltage	Wattage	Max. Output current	Frequency	Location	Certificate
ED-192W-24V-TRIAC/DIM10	100-277VAC	24V	192W	Multi 2X96W	50/60Hz	Dry, Damp, and Wet locations	UL, cUL, FCC, Class 2, RoHS

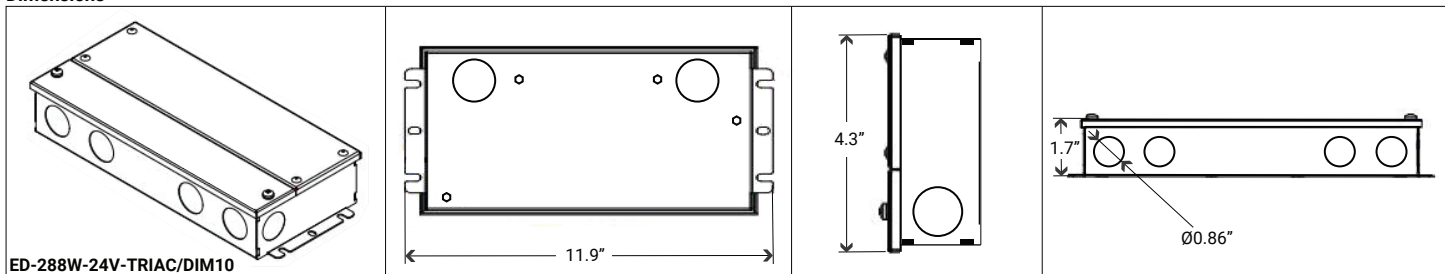
**Dimensions**



**PN: ED-288W-24V-TRIAC/DIM10**

Model	Input Voltage	Output Voltage	Wattage	Max. Output current	Frequency	Location	Certificate
ED-288W-24V-TRIAC/DIM10	100-277VAC	24V	288W	Multi 3X96W	50/60Hz	Dry, Damp, and Wet locations	UL, cUL, FCC, Class 2, RoHS

**Dimensions**

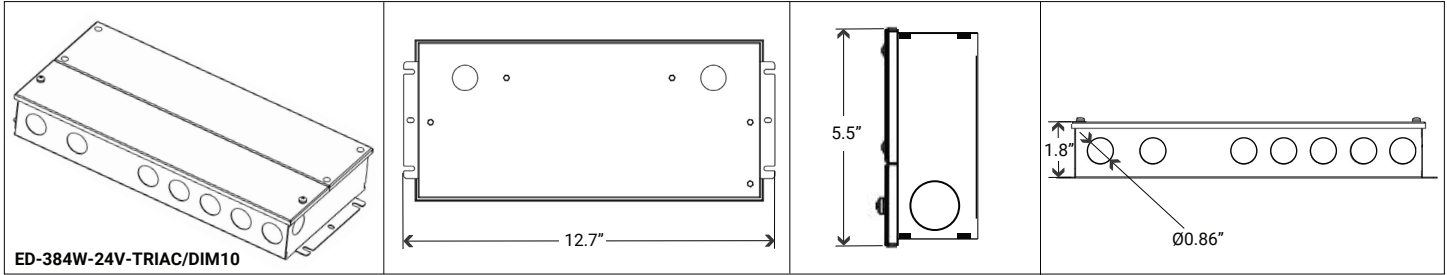


**Triac-Phase Cut/Triac ELV/0-10V/1-10V PWM/Potentiometer (5 in 1) Dimmable**

**PN: ED-384W-24V-TRIAC/DIM10**

Model	Input Voltage	Output Voltage	Wattage	Max. Output current	Frequency	Location	Certificate
ED-384W-24V-TRIAC/DIM10	110-277VAC	24V	384W	Multi 4X96W	50/60Hz	Dry, Damp, and Wet locations	UL, cUL, Class 2, RoHS

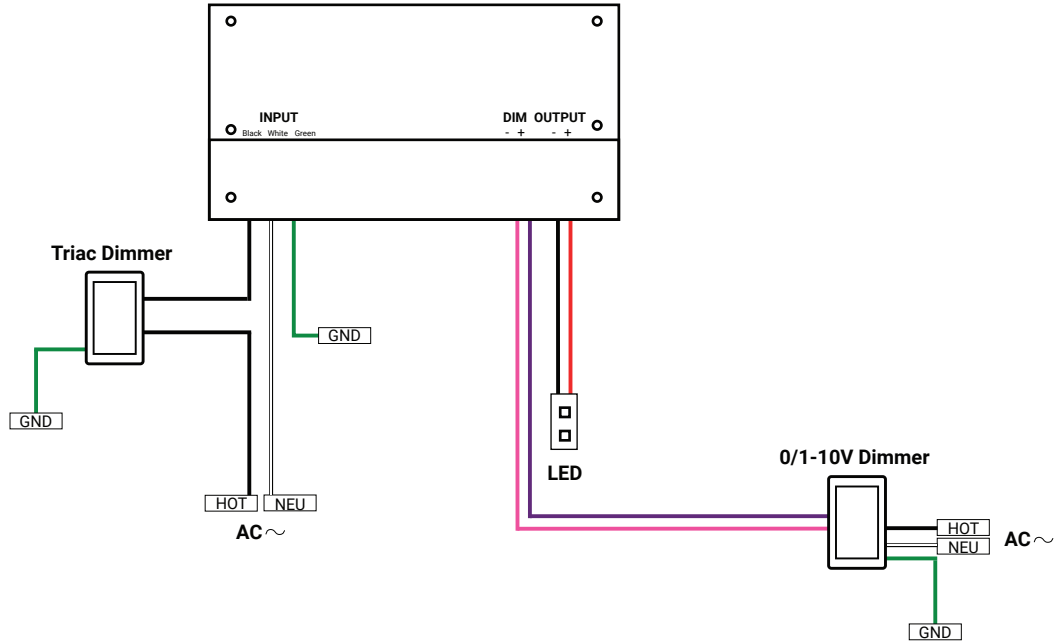
**Dimensions**



## Dimming Operation and Wiring Diagram

### TRIAC & 0/1 - 10V

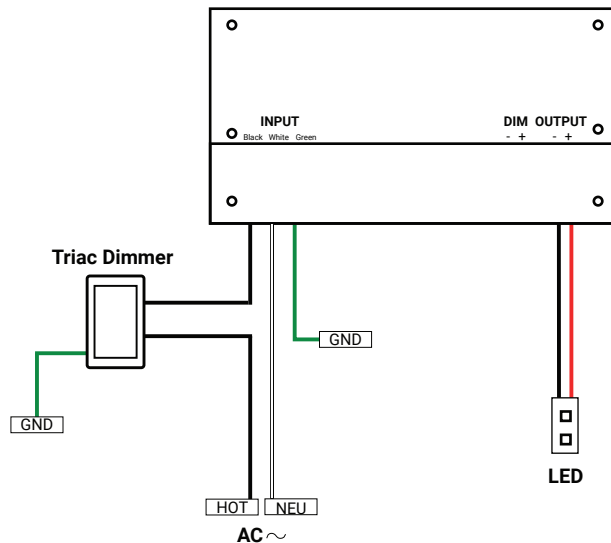
When using two dimming methods at the same time, make sure the LED light is set to maximum output first. The brightness can then be adjusted with the second dimming method.



### Single Dimming Method: TRIAC/Phase-Cut Dimming

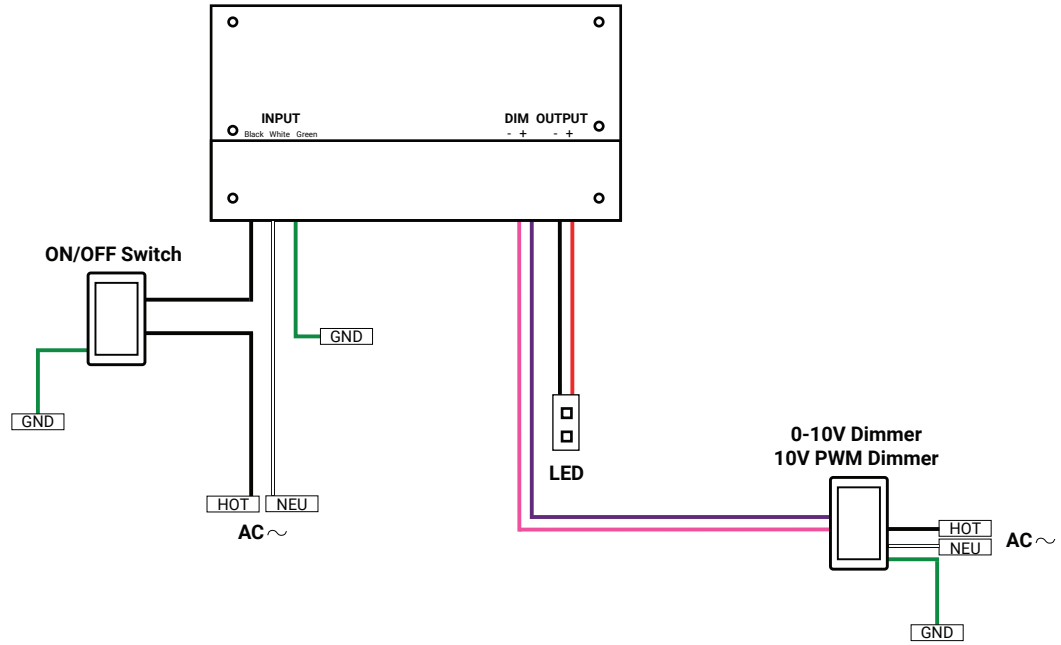
- 1-The Pulse-Width Modulation (PWM) of the output voltage can be adjusted through the input terminal of the AC phase line (L) by connecting a phase/TRIAC dimmer or lighting control system.
- 2-Works with forward-phase (MLV) and reverse-phase (ELV) TRIAC dimmers or lighting systems.
- 3-Minimum loading is approximately 10%.
- 4-Use dimmers with a power rating at least 1.5 times the output power of the driver.

### TRIAC

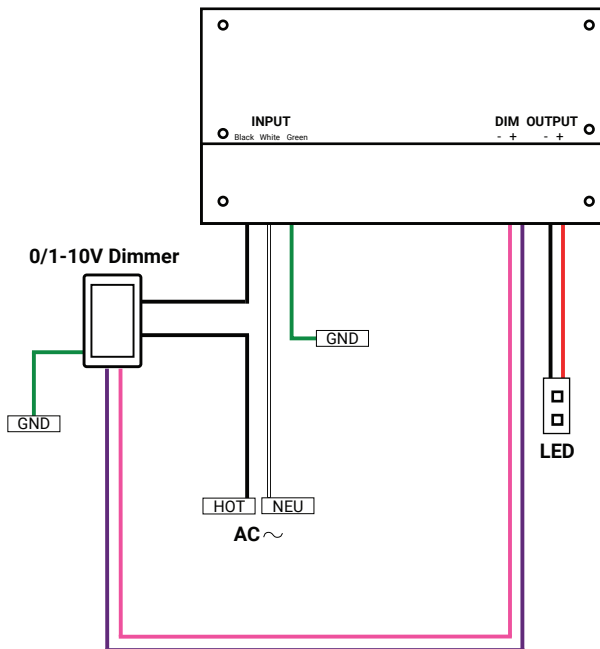


**Using one Dimming Method: 0-10V / 1-10V / 10V PWM / Potentiometer Dimming**

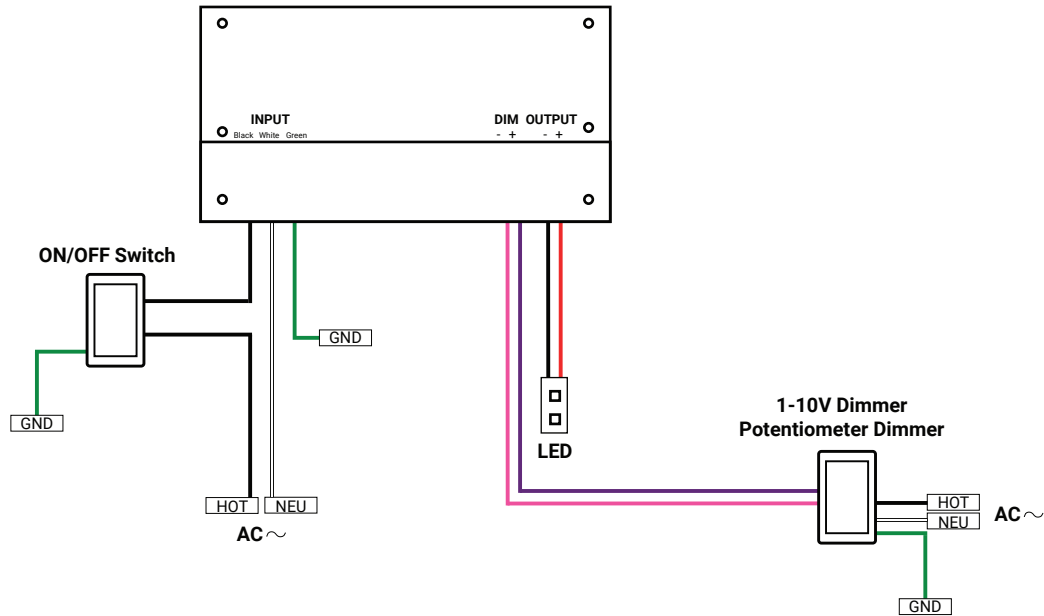
**0-10V / 10V PWM**



**0/1 - 10V**



**1-10V / Potentiometer**



**WARNING**

- This driver must be installed by a qualified professional.
- Provide adequate ventilation around the driver to ensure proper heat dissipation.
- Confirm all wiring connections are correct before testing to prevent damage to the light or power supply.
- If the driver is not operating correctly, do not attempt to repair it yourself.

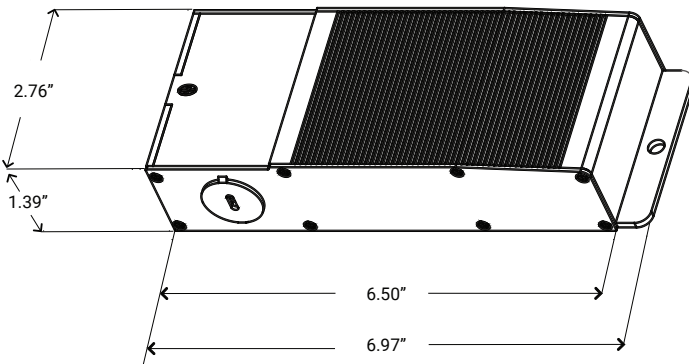
**Constant Voltage TRIAC Dimmable Driver**

**PN:HBL096-AW-24-DA**

Model	Input Voltage	Output Voltage	Wattage	Rated Current	Frequency	Location	Certificate
HBL096-AW-24-DA	120-277VAC	24VDC	96W	4A	50/60Hz	Dry or Damp location	ETL, Class 2

TRIAC Dimming for 120VAC / Non-Dimming for 277VAC

**DIMENSIONS**

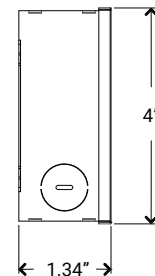


**PN:HBL150-AW-24-DI**

Model	Input Voltage	Output Voltage	Wattage	Rated Current	Location	Certificate
HBL150-AW-24-DI	120-277VAC	24VDC	150W	6.25A	Dry or Damp location	ETL, Class P

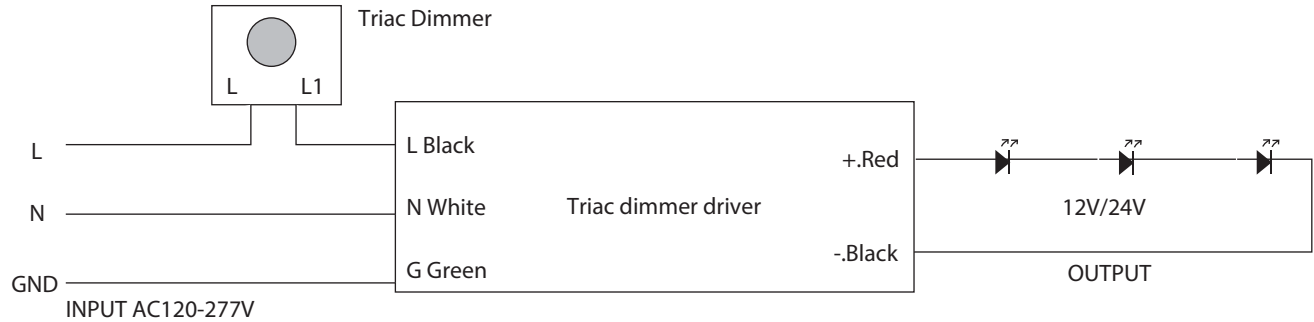
TRIAC Dimming for 120VAC / Non-Dimming for 277VAC

**DIMENSIONS**



**Constant Voltage TRIAC Dimmable Driver**

**Connecting Diagram**



**Dimmer Compatible Chart**

Brand	Series	Model	Load	Dimmability
Lutron	Ariadni	AYCL-153P	150W	10%-100%
	Diva	DV-600PR	600W	1%-100%
	Diva	DVCL-153P	150W	10%-100%
	Maestro	MACL-153MH	600W	10%-100%
	Maestro Wireless	MRF2-6CL	150W	10%-100%
	Rotary	D-600P	600W	10%-100%
	Electronic(ELV)	NTELV-300P	600W	10%-100%
	Skylark	S-600P	600W	10%-100%
	Skylark Conytour	CT-600P	600W	1%-100%
	Skylark Conytour	CTCL-153P	150W	10%-100%
	Toggler	TG-600P	600W	10%-100%
Toggler	TCCL-153P	150W	10%-100%	
Leviton	Sureslide	6633	600W	10%-100%
	Sureslide Decora	6674	600W	20%-100%
	Trimatron	6602	600W	20%-100%
	ILLVMATECH	IPL06	600W	1%-100%
Legrand	Adorne	ADTP703TU	700W	20%-100%
	Harmony	H703PTW	700W	10%-100%
Cooper	Aspire	9540	1000W	10%-100%
	Devine	DAL06P	300W	10%-100%



**LB-2830A** RF Single Color Controller

- Ultra-sensitive, high-strength glass touch panel features a color line for accurate, fast, and precise brightness control.
- Control 4 different zones separately or synchronously with endless receivers in each zone.
- Save 3 brightness or scenes for each zone.
- 256-level brightness adjustment for each white.
- Receivers can work with WiFi-RF converter after installing “EasyLighting” app on IOS and android systems.

**TECHNICAL DETAILS**

<b>Output Signal</b>	RF Signal
<b>Power Supply</b>	12-24 VDC
<b>Power Consumption</b>	<20 mA
<b>Operating Temperature</b>	0-40°C / 32°F-104°F
<b>Dimensions</b>	4.7”X2.9”X1.1”
<b>Mounting</b>	Wall Mount
<b>Color</b>	White

<b>Certifications</b>	FCC / RoHS
<b>Zones</b>	4
<b>Frequency</b>	916.5MHz
<b>Surface</b>	Glass
<b>Control</b>	Single Color
<b>Warranty</b>	5 Years limited warranty



**LB-2833N-K5-MONO** Single Color Dimmer

**RF wireless Single Color Remote can control 1 zone of receiver.** This single color controller is compatible with all universal series RF receivers. **One receiver can be paired with a maximum of 8 remote controllers.** This device contains a button lithium battery that should be stored and disposed of properly. **DO NOT expose the device to moisture.**

**TECHNICAL DETAILS**

<b>Output Signal</b>	RF Signal
<b>Power Supply</b>	3V (CR2032 battery)
<b>Operating Temperature</b>	0-40°C / 32°F-104°F
<b>Dimensions</b>	2.5”X1.2”X0.35”
<b>Color</b>	White

<b>Certifications</b>	FCC / RoHS
<b>Zones</b>	Control 1 Zone of receiver
<b>Frequency</b>	916.5MHz
<b>Rated</b>	IP20
<b>Warranty</b>	5 Years limited warranty



**LB-1009EAWI** RF+WiFi Receiver/LED Controller 4Channels

The RGBW controller LB-1009EAWI is a 12-36 VDC constant voltage RF and WiFi controller with 4 channel output, offering 8A per channel. It is compatible with a variety of RF remotes and apps installed on iOS and Android systems, enabling control of single-color, dual-color LEDs, and RGBW LEDs.

Multiple zones can be controlled separately or synchronously with endless receivers in each zone. Built-in changing patterns are available and can be saved to each zone. The brightness of each R, G, B, W channel can be adjusted separately to achieve millions of changing colors.

Thanks to the built-in WiFi to RF module, a significant advantage of this WiFi controller is its compatibility with RF remotes and apps on iOS and Android systems directly, without the need for a WiFi-RF converter.

A free app is available (EasyLighting) from the App Store and Google Play. Simply download it on your iOS or Android device, then search and connect your mobile device WLAN to the WiFi controller network.

**TECHNICAL DETAILS**

<b>Input Voltage</b>	12-36 VDC
<b>Output Current</b>	4x8A
<b>Output Power</b>	4x(96-288)W
<b>Dimensions</b>	6.6"X2.3"X1.1"

<b>Frequency</b>	869.5/916.5/434mhz
<b>Certifications</b>	FCC / RoHS
<b>Color</b>	White
<b>Warranty</b>	5-Years limited warranty



**LED25W-24 (Power Supply)** Optional for Wall Controller

- Total Power: 25 Watts
- Input Voltage: 100-277 VAC
- UL Dry & Damp Location Rated
- IP66
- High Efficiency
- High Power Factor
- Analog Dimming (0-10V)
- Black Magic Thermal Advantage, Plastic Housing