

FREE-CUT
CUTTABLE ANYWHERE



FEATURES

The Dual-Bend Anti-Glare Free-Cut Flex Neon LED Tape Light is a durable, high-performance linear solution for indoor and outdoor applications. Its dual-bend design allows both top- and side-bending, enabling easy installation on flat, curved, or complex surfaces, while its free-cut capability allows precise custom lengths directly in the field.

Featuring a honeycomb anti-glare cover (UGR <19), exceptional flexibility, and food-grade silicone construction, it delivers both visual comfort and long-term durability.

Rated IP67 and IK06, and available in six CCT options (2700K-6000K), it is ideal for architectural, decorative, and functional lighting in residential and commercial environments. Typical applications include outdoor and wet locations, decorative lighting, and architectural accents.

Max run up to 16 ft

Indoor-Outdoor/Wet Location (IP67)

Top and Side Bend / 50° Beam Angle

Average lifetime: L70 > 60,000 hours, reported

Warranty: 5-year warranty for parts and components (labor not included).

Color Temp. 4.3 W/ft

2700K	35 lm/ft
3000K	40 lm/ft
3500K	40 lm/ft
4000K	45 lm/ft
5000K	45 lm/ft
6000K	45 lm/ft

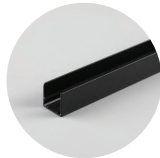
MOUNTING TRACK

LB8000-16-BAT-BK



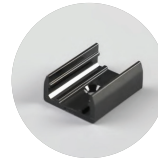
Bendable Aluminum Track
3.2 ft Length

LB8000-16-FL-CH-BK



Flangeless Channel
3.2 ft Length

LB8000-16-AL-CL-BK



Aluminum Clip

LB8000-16-PCG-CLIP-BAG



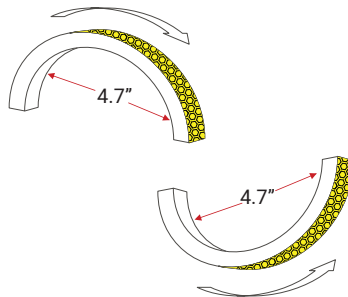
PC Mounting Clip / 50 clips per bag

TECHNICAL DETAILS

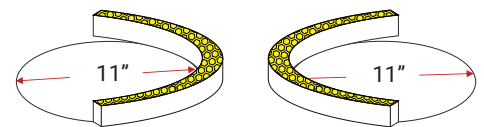
Power	4.3 W/ft
Voltage	24V
CRI	90+
LPW	10 lm/W
IP	IP67
LED Qty	36/ft
Max Run(ft)	16 ft
Dimensions	W0.63" x H0.63"
Working Temp.	-4°F +113°F / -20°C +45°C

BEND DIAMETER

Top-Bend



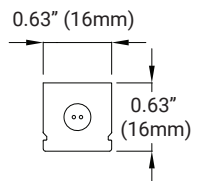
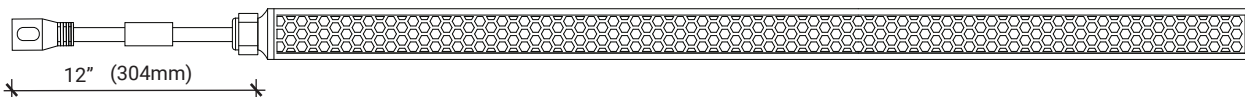
Side-Bend



Do not bend the Flex-Neon tape light beyond its specified bending diameter, as this may cause damage and will not be covered under warranty.

DIMENSIONS

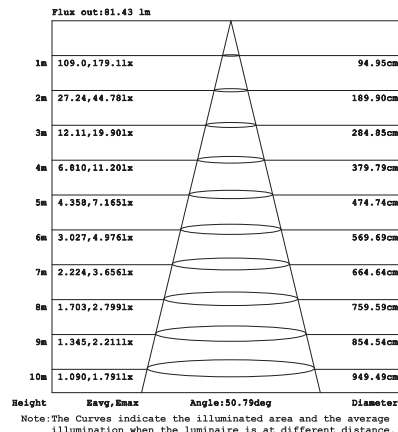
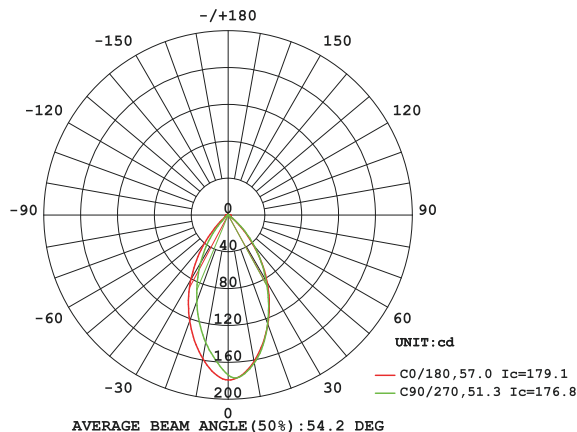
Top-View



Sectional-View

The tape light comes with a 12-inch standard length female barrel connector with anti-wicking, attached to one side, along with an accessory kit.

Luminous Intensity Distribution Diagram



ACCESSORIES

LB8000-16-ECG-BK
(2 End caps included)



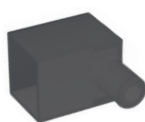
Silicone end cap
L 0.87" x W 0.74" x H 0.74"

LB8000-16-EC-PFG-BK
(2 End caps included)



Silicone end cap power feed
L 1.38" x W 0.71" x H 0.71"

LB8000-16-EC-PF-BFG-BK
(2 End caps included)



Silicone end cap side bottom power feed
L 1.18" x W 0.71" x H 0.79"

WL-BCF-2PG-BK
(1 Piece included)



Female barrel connector with anti-wicking ferrule
12" Length

WL-BCM-2PG-BK
(2 Pieces included)



Male barrel connector
72" Length

ORDERING SELECTION

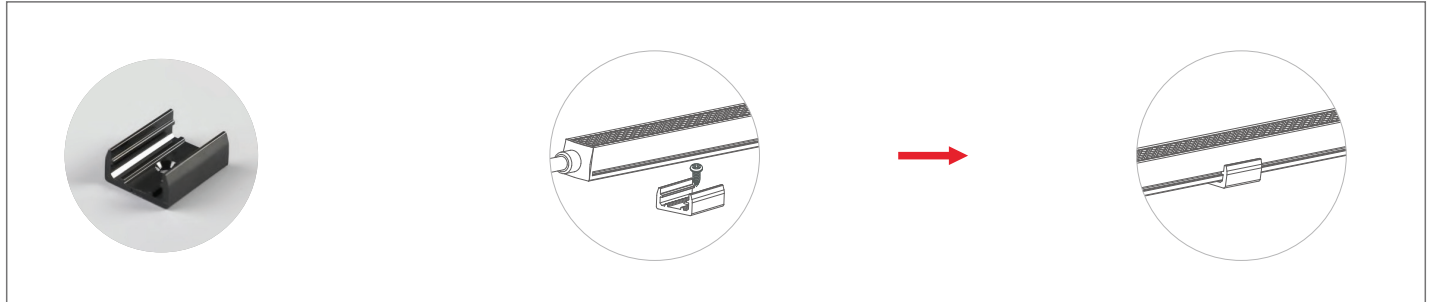
Example: LB8000-16-DB-AG-FC-ST-4.3W-16F-30K-24V

SERIES	WATTAGE	LENGTH	CCT	VOLTAGE	ACCESSORIES	DRIVER
LB8000-16-DB-AG-FC-ST	4.3W - 4.3W/ft	16F - 16 ft/Roll CUS_ - Custom	27K - 2700K 30K - 3000K 35K - 3500K 40K - 4000K 50K - 5000K 60K - 6000K	24V - 24V	LB8000-16-BAT-BK - Bendable AL. Track 3.2 ft Length LB8000-16-FL-CH-BK - Flangeless AL. Channel 3.2 ft Length LB8000-16-AL-CL-BK - Aluminum Clip LB8000-16-PCG-CLIP-BAG - PC Mounting Clip / 50 clips per bag LB8000-16-ECG-BK - Silicone End Cap LB8000-16-EC-PFG-BK - Silicone End Cap/power feed LB8000-16-EC-PF-BFG-BK - Silicone end cap/side bottom power feed WL-BCF-2PG-BK - Female Barrel Connector 12" Length WL-BCM-2PG-BK - Male Barrel Connector 72" Length KIT-ACC-LB8000-16-DB-AG-FC-ST - Accessory Kit (INCLUDED) 2 end caps, 2 power feed end caps, 2 bottom power feed end caps, 1 female barrel connector, and 2 male barrel connectors.	Refer to the next pages for available options.
CONTROLLERS						
LB-2830A - RF single color controller LB-2833N-K5-MONO - RF single color dimmer LED25W-24 - Power supply LB-1009EAWI - RF+WiFi receiver						

1. When cutting in the field, wiring accessories must be sealed with UV glue and cured using UV light to achieve an IP65 rating. For optimal results, we recommend customizing the lengths at the factory, as cutting the tape light in the field may damage the IP67-rated protection.

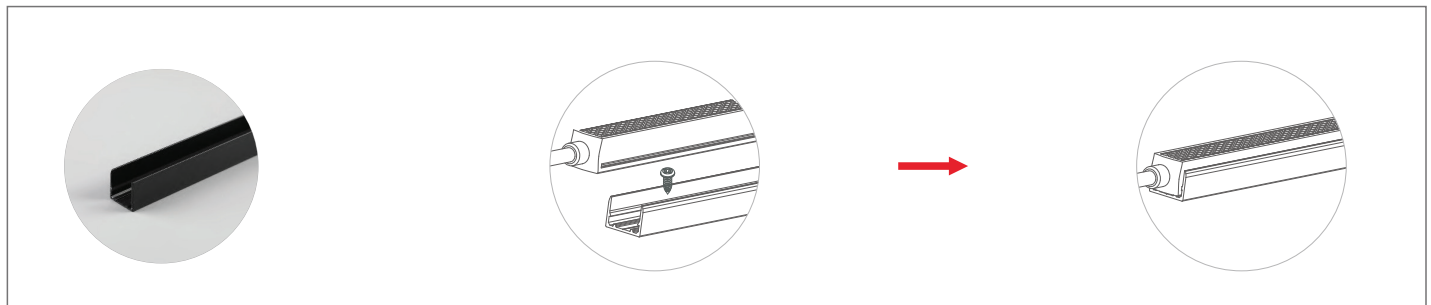
Mounting Track Installation

LB8000-16-AL-CL-BK Aluminum Clip



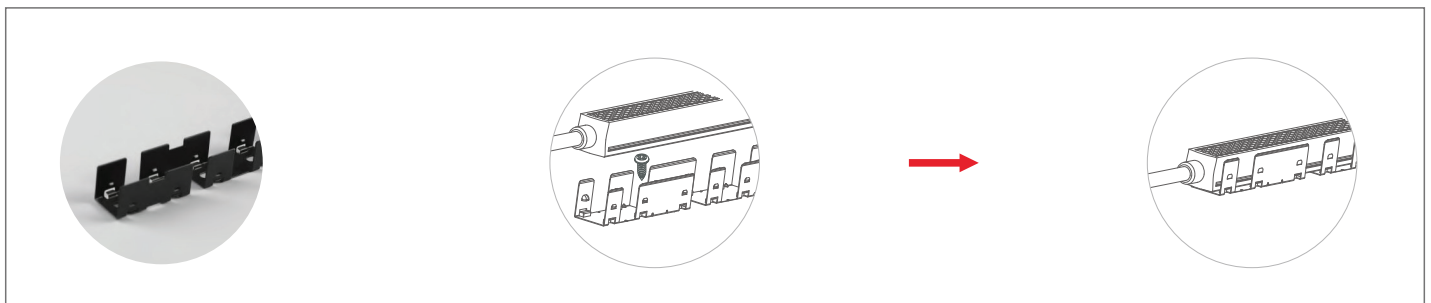
Mounting clips are secured using screws. For optimal alignment and straight installation, it is recommended to install an aluminum mounting clip every (1 ft) to maintain a clean, linear appearance and prevent waviness.

LB8000-16-FL-CH-BK Flangeless Channel



The flangeless aluminum channel is secured using screws. For optimal alignment and straight installation, it is recommended to install a flangeless aluminum channel every (3 ft) to maintain a clean, linear appearance and prevent waviness.

LB8000-16-BAT-BK Bendable Aluminum Track



The bendable aluminum track is secured using screws. For smooth curves and proper installation, it is recommended to install a bendable aluminum track every (1 ft) to maintain a clean, continuous appearance.

Static White / Wall Controller (RF Signal)

This solution enables the strip light to function with a wall controller (RF signal). It includes the following components:

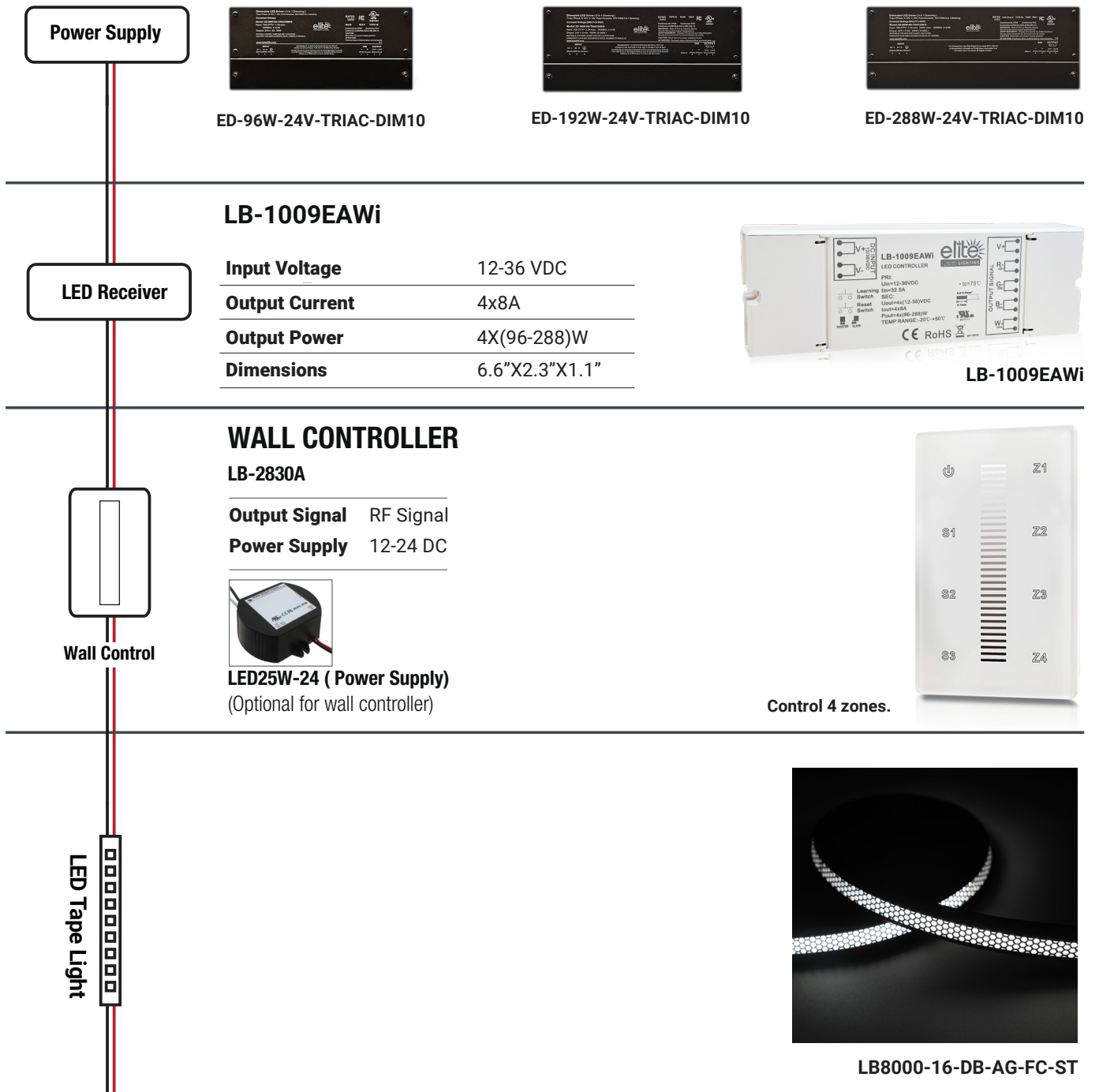
Driver – Powers the strip light.

Receiver – Receives signals from the wall controller to control the strip light.

Wall Controller (RF Signal) – Used to control the strip light remotely.

LED25W-24 Power Supply – Connected to the wall controller to convert the 120V AC from the wall outlet to 24V DC, which is necessary for the controller to function.

This configuration ensures seamless control of the strip light while maintaining the necessary power conversion and signal reception.



Static White / Wall Dimmer Controller (RF Signal)

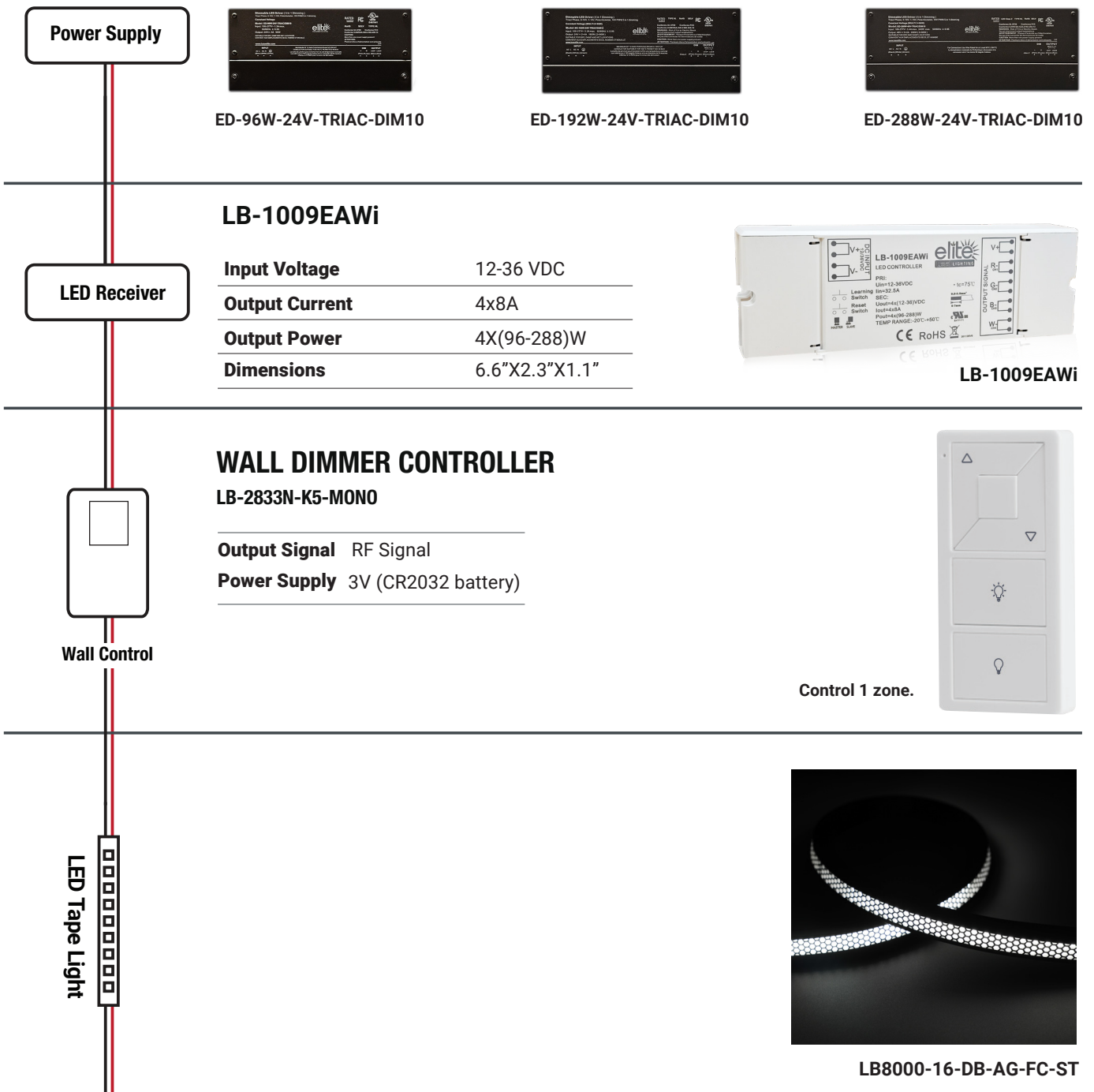
This solution enables the strip light to function with a wall dimmer controller (RF signal). It includes the following components:

Driver – Powers the strip light.

Receiver – Receives signals from the wall dimmer controller to control the strip light.

Wall Dimmer Controller (RF Signal) – Used to control the strip light remotely, powered by a 3V CR2032 battery.

This configuration ensures seamless control of the strip light while maintaining the necessary signal reception.

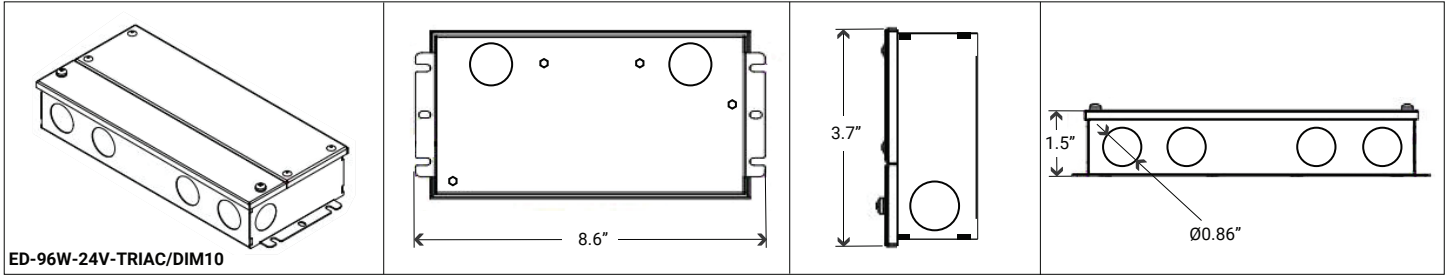


Triac-Phase Cut/Triac ELV/0-10V/1-10V PWM/Potentiometer (5 in 1) Dimmable

PN: ED-96W-24V-TRIAC/DIM10

Model	Input Voltage	Output Voltage	Wattage	Max. Output current	Frequency	Location	Certificate
ED-96W-24V-TRIAC/DIM10	100-277VAC	24V	96W	4A	50/60Hz	Dry, Damp, and Wet locations	UL, cUL, FCC, Class 2, RoHS

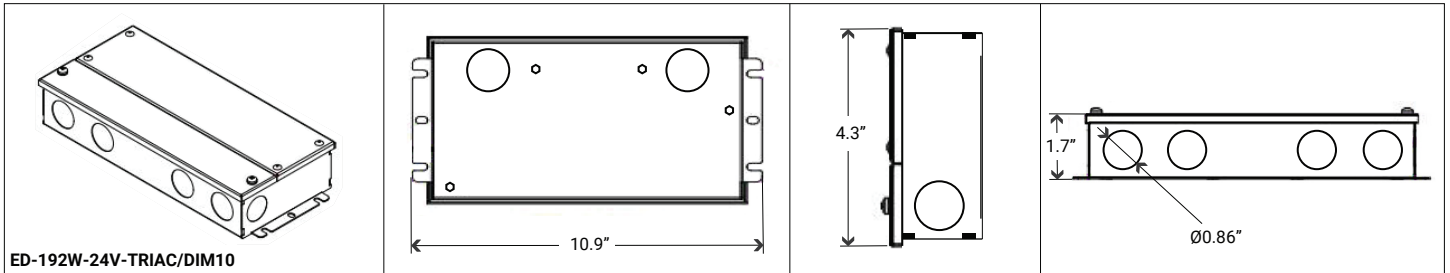
Dimensions



PN: ED-192W-24V-TRIAC/DIM10

Model	Input Voltage	Output Voltage	Wattage	Max. Output current	Frequency	Location	Certificate
ED-192W-24V-TRIAC/DIM10	100-277VAC	24V	192W	Multi 2X96W	50/60Hz	Dry, Damp, and Wet locations	UL, cUL, FCC, Class 2, RoHS

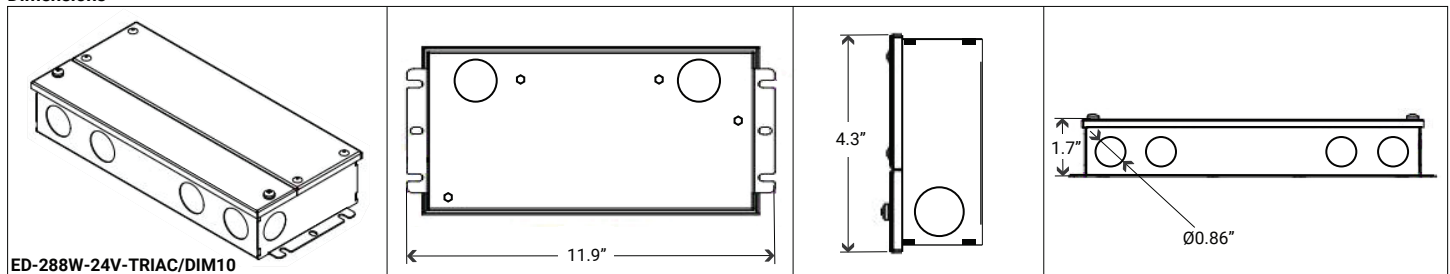
Dimensions



PN: ED-288W-24V-TRIAC/DIM10

Model	Input Voltage	Output Voltage	Wattage	Max. Output current	Frequency	Location	Certificate
ED-288W-24V-TRIAC/DIM10	100-277VAC	24V	288W	Multi 3X96W	50/60Hz	Dry, Damp, and Wet locations	UL, cUL, FCC, Class 2, RoHS

Dimensions

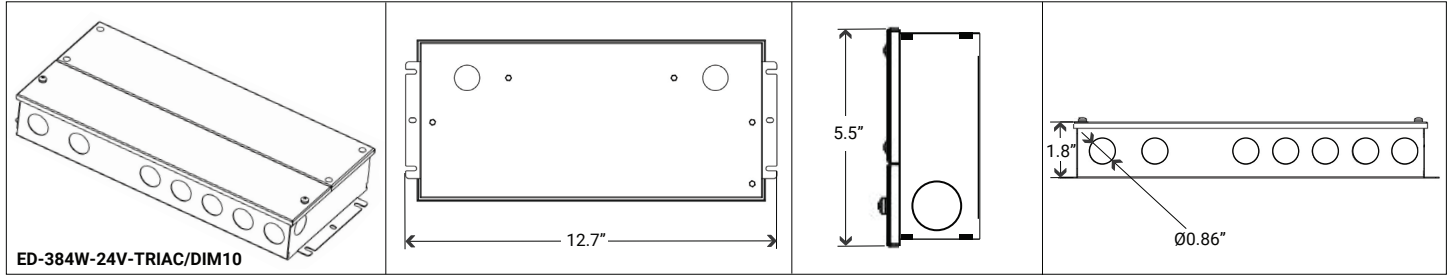


Triac-Phase Cut/Triac ELV/0-10V/1-10V PWM/Potentiometer (5 in 1) Dimmable

PN: ED-384W-24V-TRIAC/DIM10

Model	Input Voltage	Output Voltage	Wattage	Max. Output current	Frequency	Location	Certificate
ED-384W-24V-TRIAC/DIM10	110-277VAC	24V	384W	Multi 4X96W	50/60Hz	Dry, Damp, and Wet locations	UL, cUL, Class 2, RoHS

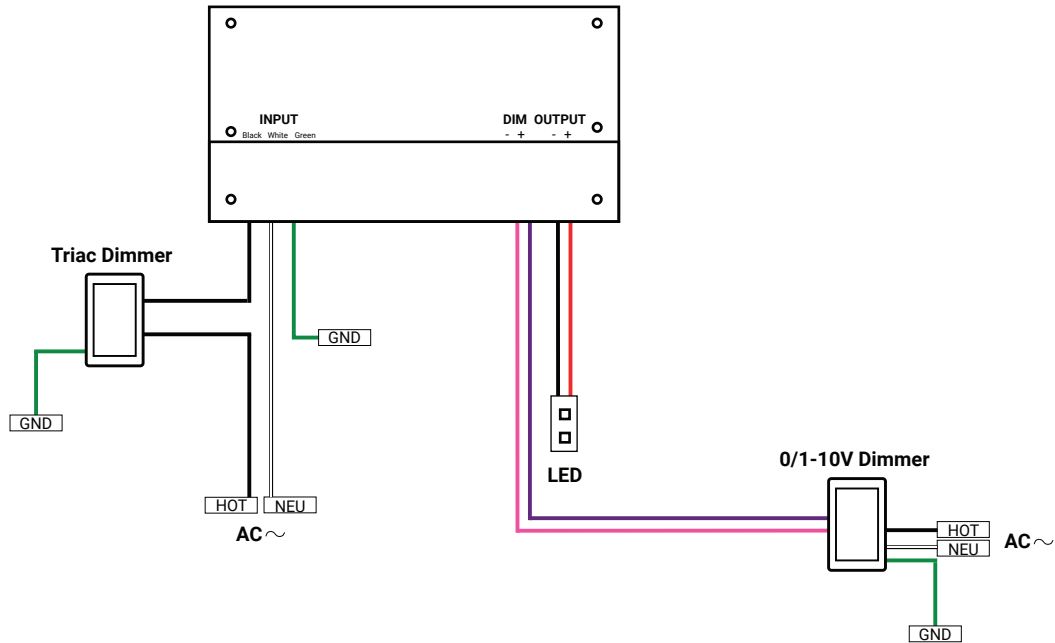
Dimensions



Dimming Operation and Wiring Diagram

TRIAC & 0/1 - 10V

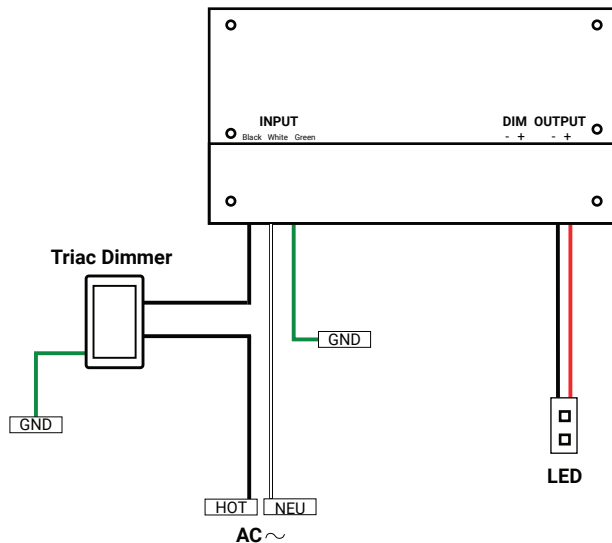
When using two dimming methods at the same time, make sure the LED light is set to maximum output first. The brightness can then be adjusted with the second dimming method.



Single Dimming Method: TRIAC/Phase-Cut Dimming

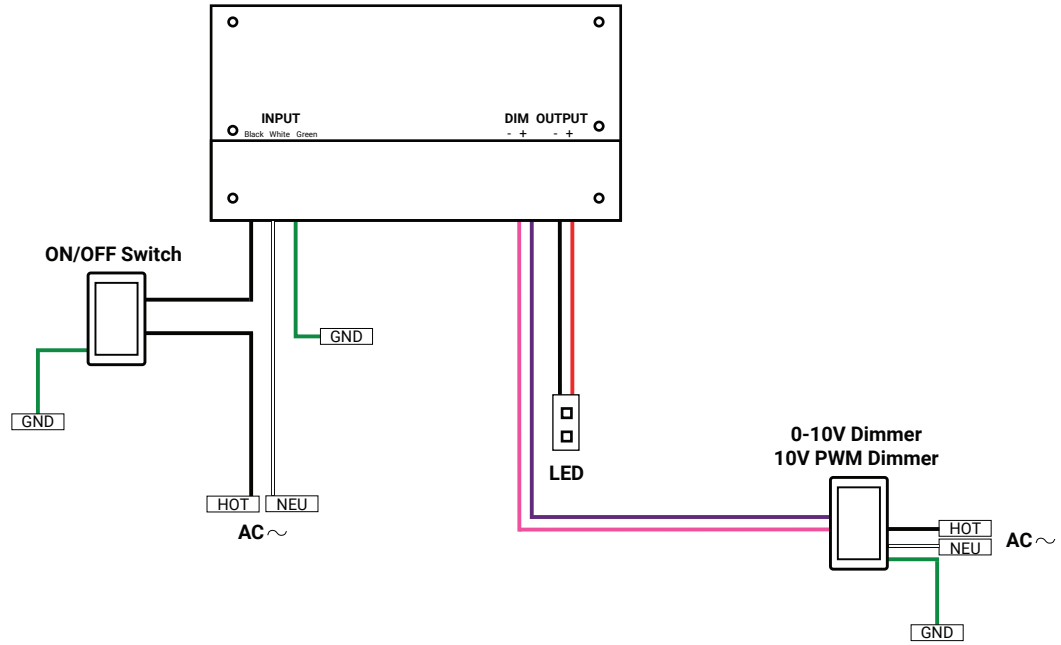
- 1-The Pulse-Width Modulation (PWM) of the output voltage can be adjusted through the input terminal of the AC phase line (L) by connecting a phase/TRIAC dimmer or lighting control system.
- 2-Works with forward-phase (MLV) and reverse-phase (ELV) TRIAC dimmers or lighting systems.
- 3-Minimum loading is approximately 10%.
- 4-Use dimmers with a power rating at least 1.5 times the output power of the driver.

TRIAC

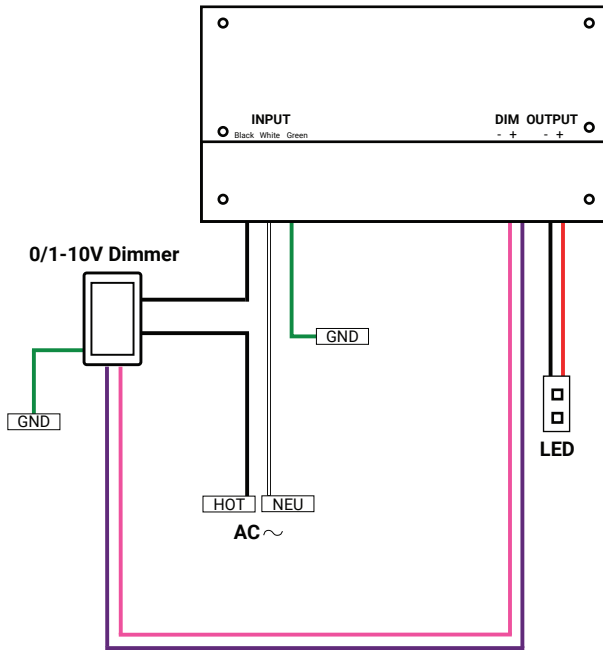


Using one Dimming Method: 0-10V / 1-10V / 10V PWM / Potentiometer Dimming

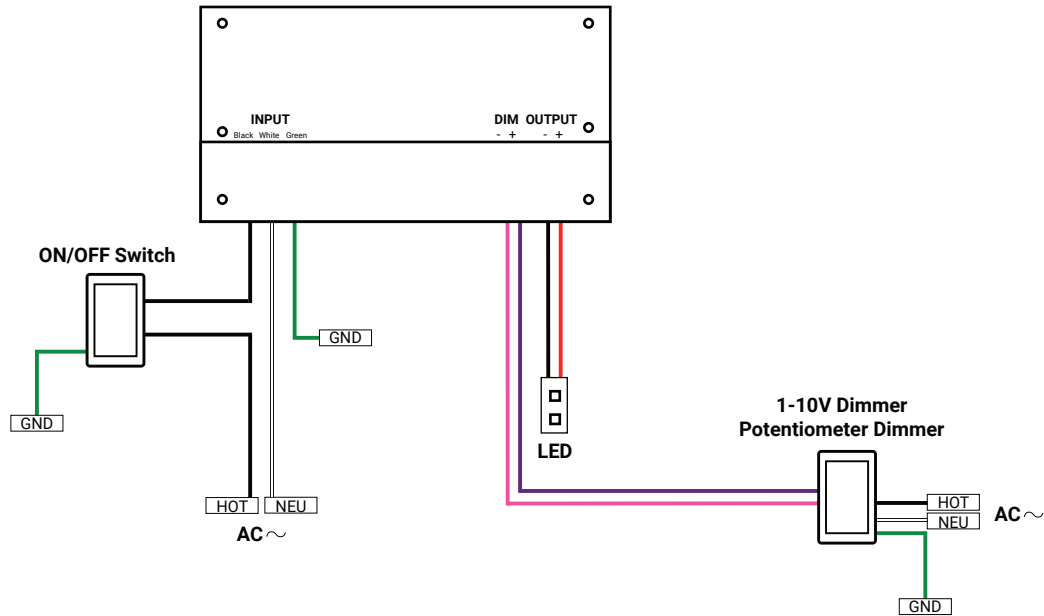
0-10V / 10V PWM



0/1 - 10V



1-10V / Potentiometer



WARNING

- This driver must be installed by a qualified professional.
- Provide adequate ventilation around the driver to ensure proper heat dissipation.
- Confirm all wiring connections are correct before testing to prevent damage to the light or power supply.
- If the driver is not operating correctly, do not attempt to repair it yourself.

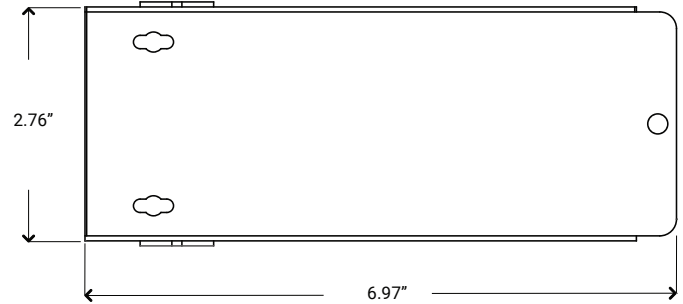
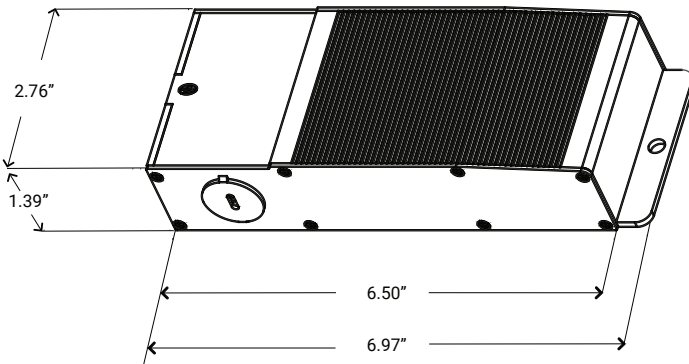
Constant Voltage TRIAC Dimmable Driver

PN:HBL096-AW-24-DA

Model	Input Voltage	Output Voltage	Wattage	Rated Current	Frequency	Location	Certificate
HBL096-AW-24-DA	120-277VAC	24VDC	96W	4A	50/60Hz	Dry or Damp location	ETL, Class 2

TRIAC Dimming for 120VAC / Non-Dimming for 277VAC

DIMENSIONS

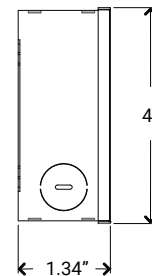
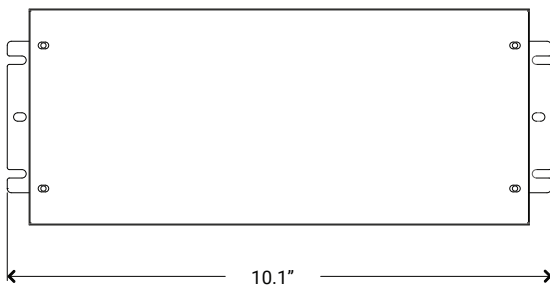


PN:HBL150-AW-24-DI

Model	Input Voltage	Output Voltage	Wattage	Rated Current	Location	Certificate
HBL150-AW-24-DI	120-277VAC	24VDC	150W	6.25A	Dry or Damp location	ETL, Class P

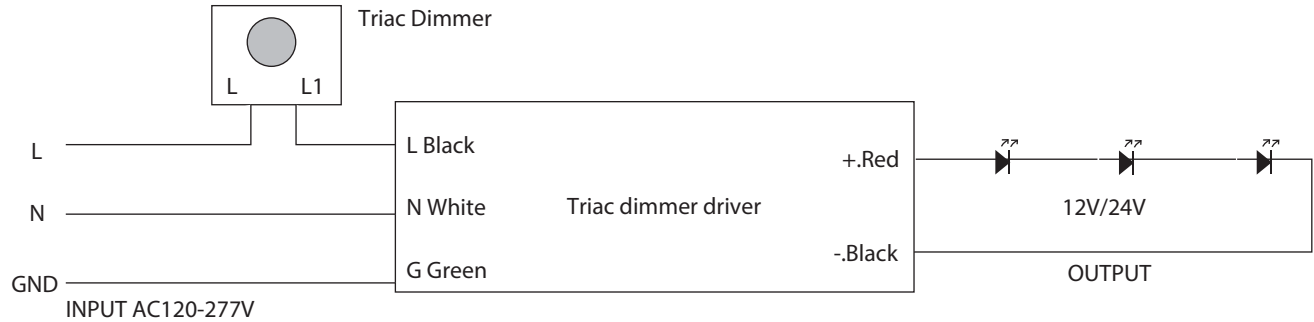
TRIAC Dimming for 120VAC / Non-Dimming for 277VAC

DIMENSIONS



Constant Voltage TRIAC Dimmable Driver

Connecting Diagram



Dimmer Compatible Chart

Brand	Series	Model	Load	Dimmability
Lutron	Ariadni	AYCL-153P	150W	10%-100%
	Diva	DV-600PR	600W	1%-100%
	Diva	DVCL-153P	150W	10%-100%
	Maestro	MACL-153MH	600W	10%-100%
	Maestro Wireless	MRF2-6CL	150W	10%-100%
	Rotary	D-600P	600W	10%-100%
	Electronic(ELV)	NTELV-300P	600W	10%-100%
	Skylark	S-600P	600W	10%-100%
	Skylark Conytour	CT-600P	600W	1%-100%
	Skylark Conytour	CTCL-153P	150W	10%-100%
	Toggler	TG-600P	600W	10%-100%
Toggler	TCCL-153P	150W	10%-100%	
Leviton	Sureslide	6633	600W	10%-100%
	Sureslide Decora	6674	600W	20%-100%
	Trimatron	6602	600W	20%-100%
	ILLVMATECH	IPL06	600W	1%-100%
Legrand	Adorne	ADTP703TU	700W	20%-100%
	Harmony	H703PTW	700W	10%-100%
Cooper	Aspire	9540	1000W	10%-100%
	Devine	DAL06P	300W	10%-100%



LB-2830A RF Single Color Controller

- Ultra-sensitive, high-strength glass touch panel features a color line for accurate, fast, and precise brightness control.
- Control 4 different zones separately or synchronously with endless receivers in each zone.
- Save 3 brightness or scenes for each zone.
- 256-level brightness adjustment for each white.
- Receivers can work with WiFi-RF converter after installing “EasyLighting” app on IOS and android systems.

TECHNICAL DETAILS

Output Signal	RF Signal
Power Supply	12-24 VDC
Power Consumption	<20 mA
Operating Temperature	0-40°C / 32°F-104°F
Dimensions	4.7”X2.9”X1.1”
Mounting	Wall Mount
Color	White

Certifications	FCC / RoHS
Zones	4
Frequency	916.5MHz
Surface	Glass
Control	Single Color
Warranty	5 Years limited warranty



LB-2833N-K5-MONO Single Color Dimmer

RF wireless Single Color Remote can control 1 zone of receiver. This single color controller is compatible with all universal series RF receivers. **One receiver can be paired with a maximum of 8 remote controllers.** This device contains a button lithium battery that should be stored and disposed of properly. **DO NOT expose the device to moisture.**

TECHNICAL DETAILS

Output Signal	RF Signal
Power Supply	3V (CR2032 battery)
Operating Temperature	0-40°C / 32°F-104°F
Dimensions	2.5”X1.2”X0.35”
Color	White

Certifications	FCC / RoHS
Zones	Control 1 Zone of receiver
Frequency	916.5MHz
Rated	IP20
Warranty	5 Years limited warranty



LB-1009EAWI RF+WiFi Receiver/LED Controller 4Channels

The RGBW controller LB-1009EAWI is a 12-36 VDC constant voltage RF and WiFi controller with 4 channel output, offering 8A per channel. It is compatible with a variety of RF remotes and apps installed on iOS and Android systems, enabling control of single-color, dual-color LEDs, and RGBW LEDs.

Multiple zones can be controlled separately or synchronously with endless receivers in each zone. Built-in changing patterns are available and can be saved to each zone. The brightness of each R, G, B, W channel can be adjusted separately to achieve millions of changing colors.

Thanks to the built-in WiFi to RF module, a significant advantage of this WiFi controller is its compatibility with RF remotes and apps on iOS and Android systems directly, without the need for a WiFi-RF converter.

A free app is available (EasyLighting) from the App Store and Google Play. Simply download it on your iOS or Android device, then search and connect your mobile device WLAN to the WiFi controller network.

TECHNICAL DETAILS

Input Voltage	12-36 VDC
Output Current	4x8A
Output Power	4x(96-288)W
Dimensions	6.6"X2.3"X1.1"

Frequency	869.5/916.5/434mhz
Certifications	FCC / RoHS
Color	White
Warranty	5-Years limited warranty



LED25W-24 (Power Supply) Optional for Wall Controller

- Total Power: 25 Watts
- Input Voltage: 100-277 VAC
- UL Dry & Damp Location Rated
- IP66
- High Efficiency
- High Power Factor
- Analog Dimming (0-10V)
- Black Magic Thermal Advantage, Plastic Housing