

LB4000-RGBTWH Series
Indoor Strip Light
Width / 0.47" / 12mm
18 LEDs/FT



FEATURES

The LB4000-RGBTWH, RGB & tunable white Lumi-PRO Strip light offers a versatile lighting solution for indoor applications. By integrating Elite Lighting's decoders and controllers, users can control and customize the lighting experience to suit their preferences.

Additionally, the ELDO led Linear drive option further enhances the performance of the strip light. With a white tunable range spanning from 6500K to 2700K, this product provides the flexibility to create dynamic lighting scenes tailored to different environments and moods. Whether for residential, commercial, or industrial use, the LB4000-RGBTWH strip light delivers both functionality and versatility.

Max run up to 11.5ft
Indoor Location (IP22)
Field cuttable every 3.94"

Warranty: 3 years limited warranty

Color 3.7 W/ft.

Red	25 lm/ft
Green	55 lm/ft
Blue	15 lm/ft
6500K/2700K	130 lm/ft
RGBTWH	220lm/ft

WIRING ACCESSORIES (Tape light comes with a 4ft standard length soldered lead attached on one side, along with an accessory kit)

TW12-6
(3 Pieces Included)



Power Connector
6" Length

JP12-6
(4 Pieces Included)



Tape-to-Tape Jumper
6" Length

SL-6 (Standard SL Attached)



Soldered Lead
4ft standard length
(custom length sizes available)

JPSL-6 (Optional)



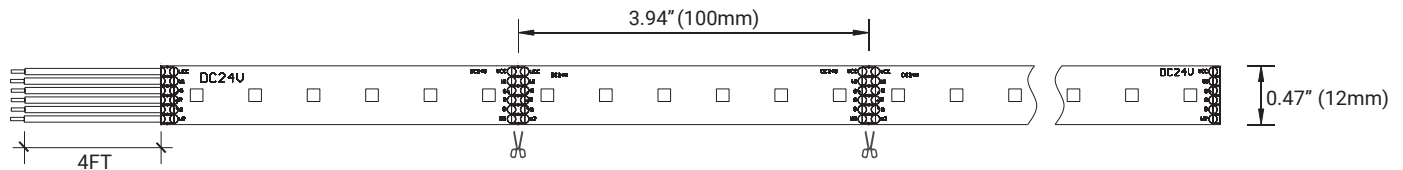
Soldered Jumper
6" L jumper
(custom length sizes available)

TECHNICAL DETAILS

Power	3.7W/ft
Voltage	24V
CRI	80+
LPW	60L/W
LED Qty	18/ft
Max Run(ft)	11.5ft
Cutting Length	Every 3.94"
Dimensions	W0.47" X H0.1"
Working Temp.	-4F / +122F

Experience unparalleled performance with our precision-engineered, high-quality Lumi-PRO LB4000-RGBTWH LED Strip Light, meticulously designed to meet the demands of the most challenging applications.

DIMENSIONS



It Can be ordered in 3 different ways.




1. Everything will be shipped separately

- RL**
- Tape light, extrusion, cover, mountig clips, end caps and tape light accessory kit.



- Everything will be cut and shipped to your desired length.

Accessory KIT Includes

P/N	DESCRIPTION	QTY
TW12-6	 6" Length Tape-to-Wire Connector, 12mm, 6 pole.	3ea
JP12-6	 6" Length Jumper Wire.	4ea
Lead Wire	 4ft Lead wire jacketed white.	3ea

2. Pre-assembled and shipped separately as two units

- PA**
- Tape light, cover, extrusion and accessories will be cut and shipped to your desired length.
 - Wiring accessories will be attached to the tape light.
 - Cover, end caps and clips will be assembled to the channel.



Wiring accessories attached to the tape light.



Channel will be cut and assembled to your desired length.

3. Fully assembled and shipped as a single unit

- FA**
- Tape light, cover, extrusion and accessories will be cut and shipped to your desired length.
 - Wiring accessories will be attached to the tape light.
 - Tape light will be installed into the channel and ready to use.



Refer to the next page for COMPATIBLE channels.

ORDERING SELECTION

Example: LB4000-3.7W-16F-RGB/TWH-24V

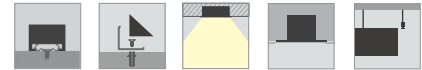
					End 1	End 2		
LB4000								
					Leave END blank when no ACCESSORY is desired			
SERIES	WATTAGE	LENGTH	TECHNOLOGY	VOLTAGE	WIRING ACCESSORIES		CHANNEL	DRIVER
LB4000	3.7W - 3.7W/ft	16F - 16ft Roll C - Custom (Cutting length every 3.94")	RGB/TWH- RGB/TWH	24V - 24V	TW12-6 - Tape to Wire Connector	JP12-6 - Tape to Tape Jumper	Refer to the next page for available options.	Refer to the next pages for available options.
					SL-6 - Soldered Lead (custom length sizes available)			
					JPSL-6 - Soldered Jumper (custom length sizes available)			
					KIT-ACC-LB4000-RGBTWH - Accessory Kit			

CONTROLLERS

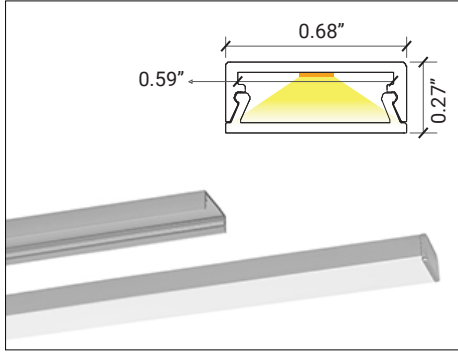
SHIPPING OPTIONS

- LB-2834-5C - RF Wall Controller
- LB-2834-5C-DMX - DMX RGB-Dual controller
- LB-2833N-K5-RGBW - RF RGBW Dimmer
- LB-2858Z4-5C - RF Remote Controller
- LB-1009EWI-5CH - RF DMX Decoder
- LB-2108B-M6-5 - DMX Decoder
- LED25W-24 - Power Supply

- RL - Rolls 16ft
- PA - Pre-Assembled
- FA - Fully Assembled

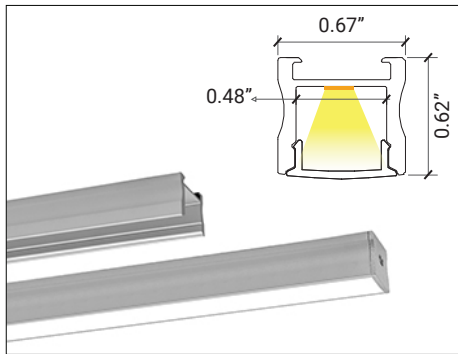


1.Consult factory for colors and optical lenses options.



LP-SHC-CM-075/ Surface

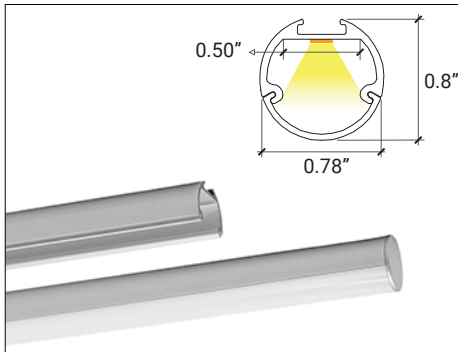
SERIES	EXT. LENGTH	FINISH	OPTICAL LENS	TAPE LIGHT
LP-SHC-CM-075	2 - 2ft 4 - 4ft 8 - 8ft C - Custom	SI - Silver BK - Black WH - White	FTD - Flat Diffuser FTO - Flat Opal ¹ FTT - Flat Transparent ¹ FTB - Flat Black ¹	RL - Rolls PA - Pre-Assembled FA - Fully Assembled



LP-LGC-CM-075/ Surface

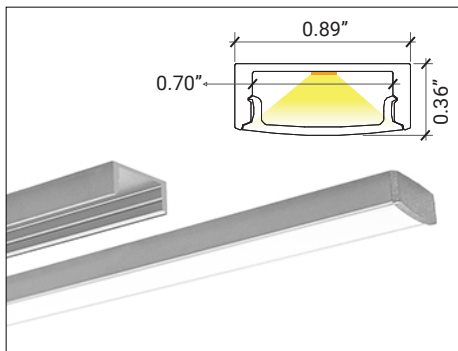
Accessories Available, please refer to the channel spec sheet.

SERIES	EXT. LENGTH	FINISH	OPTICAL LENS	CLIP	TAPE LIGHT
LP-LGC-CM-075	2 - 2ft 4 - 4ft 8 - 8ft C - Custom	SI - Silver BK - Black WH - White	FTD - Flat Diffuser FTO - Flat Opal ¹ FTT - Flat Transparent ¹ FTB - Flat Black ¹	SC - Surface Clip MC - Magnetic Clip	RL - Rolls PA - Pre-Assembled FA - Fully Assembled



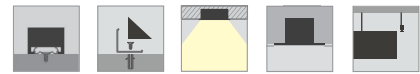
LP-SHC-SC-MG-075/ Surface

SERIES	EXT. LENGTH	FINISH	OPTICAL LENS	CLIP	TAPE LIGHT
LP-SHC-SC-MG-075	2 - 2ft 4 - 4ft 8 - 8ft C - Custom	SI - Silver BK - Black WH - White	RDD - Rounded Diffuser RDO - Rounded Opal ¹ RDT - Rounded Transparent ¹ RDB - Rounded Black ¹	SC - Surface Clip MC - Magnetic Clip	RL - Rolls PA - Pre-Assembled FA - Fully Assembled

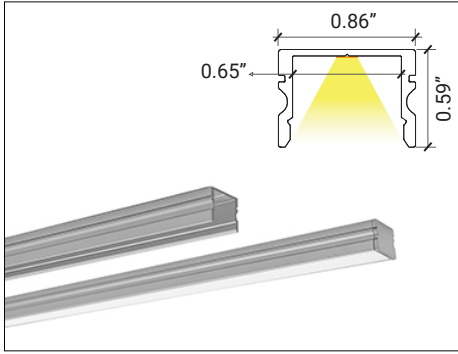


LP-SHC-CM-1/ Surface

SERIES	EXT. LENGTH	FINISH	OPTICAL LENS	TAPE LIGHT
LP-SHC-CM-1	2 - 2ft 4 - 4ft 8 - 8ft C - Custom	SI - Silver BK - Black WH - White	FTD - Flat Diffuser FTO - Flat Opal ¹ FTT - Flat Transparent ¹ FTB - Flat Black ¹	RL - Rolls PA - Pre-Assembled FA - Fully Assembled

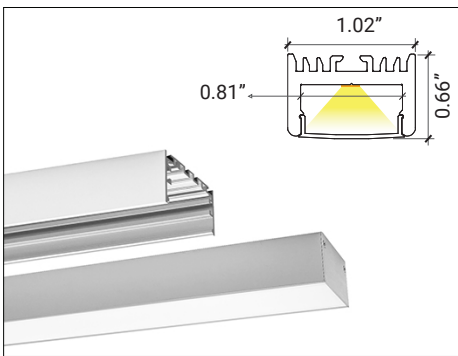


1. Consult factory for colors and optical lenses options.



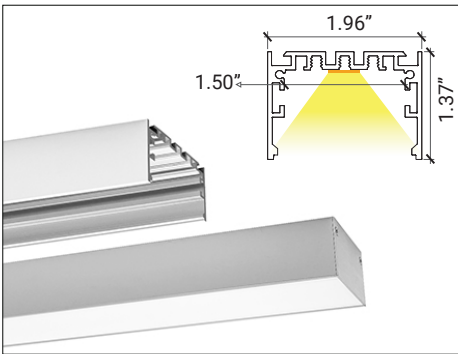
LP-MDC-CM-1/ Surface

SERIES	EXT. LENGTH	FINISH	OPTICAL LENS	TAPE LIGHT
LP-MDC-CM-1	2- 2ft 4- 4ft 8- 8ft C- Custom	SI - Silver BK - Black WH - White	FTD - Flat Diffuser FTO - Flat Opal ¹ FTT - Flat Transparent ¹ FTB - Flat Black ¹	RL - Rolls PA - Pre-Assembled FA - Fully Assembled



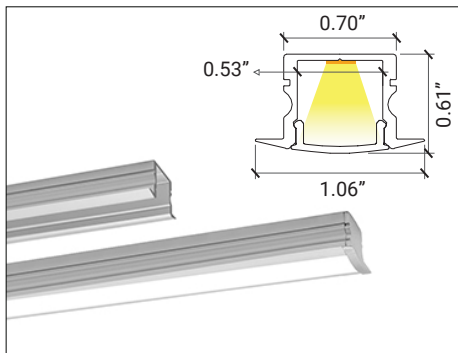
LP-LGC-CM-1/ Surface

SERIES	EXT. LENGTH	FINISH	OPTICAL LENS	TAPE LIGHT
LP-LGC-CM-1	2- 2ft 4- 4ft 8- 8ft C- Custom	SI - Silver BK - Black WH - White	FTD - Flat Diffuser FTO - Flat Opal ¹ FTT - Flat Transparent ¹ FTB - Flat Black ¹	RL - Rolls PA - Pre-Assembled FA - Fully Assembled



LP-LGC-CM-2/ Surface

SERIES	EXT. LENGTH	FINISH	OPTICAL LENS	TAPE LIGHT
LP-LGC-CM-2	2- 2ft 4- 4ft 8- 8ft C- Custom	SI - Silver BK - Black WH - White	FTD - Flat Diffuser FTO - Flat Opal ¹ FTT - Flat Transparent ¹ FTB - Flat Black ¹	RL - Rolls PA - Pre-Assembled FA - Fully Assembled

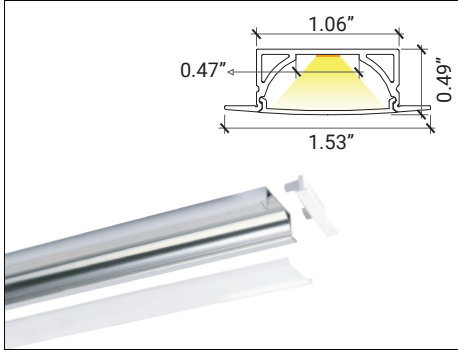


LP-MDC-RFT-075/ Recessed

SERIES	EXT. LENGTH	FINISH	OPTICAL LENS	TAPE LIGHT
LP-MDC-RFT-075	2- 2ft 4- 4ft 8- 8ft C- Custom	SI - Silver BK - Black WH - White	FTD - Flat Diffuser FTO - Flat Opal ¹ FTT - Flat Transparent ¹ FTB - Flat Black ¹	RL - Rolls PA - Pre-Assembled FA - Fully Assembled

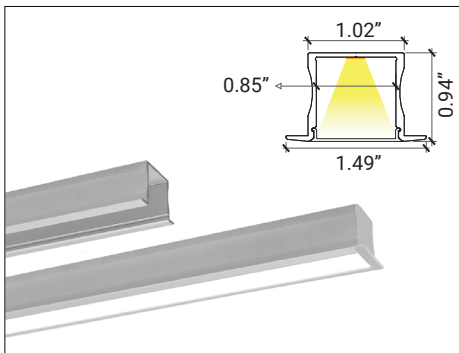


1. Consult factory for colors and optical lenses options.



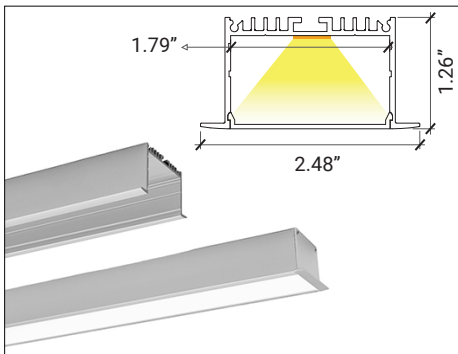
LP-SHC-RFT-1/ Recessed

SERIES	EXT. LENGTH	FINISH	OPTICAL LENS	TAPE LIGHT
LP-SHC-RFT-1	2 - 2ft 4 - 4ft 8 - 8ft C - Custom	SI - Silver BK - Black WH - White	FTD - Flat Diffuser FTO - Flat Opal ¹ FTT - Flat Transparent ¹ FTB - Flat Black ¹	RL - Rolls PA - Pre-Assembled FA - Fully Assembled



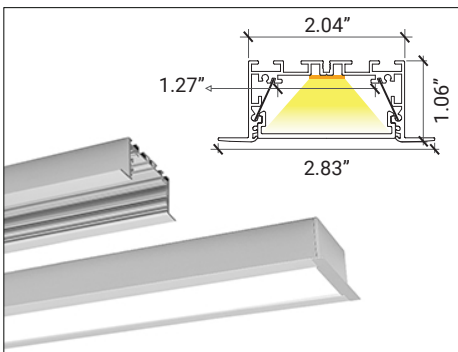
LP-LGC-RFT-1/ Recessed

SERIES	EXT. LENGTH	FINISH	OPTICAL LENS	TAPE LIGHT
LP-LGC-RFT-1	2 - 2ft 4 - 4ft 8 - 8ft C - Custom	SI - Silver BK - Black WH - White	FTD - Flat Diffuser FTO - Flat Opal ¹ FTT - Flat Transparent ¹ FTB - Flat Black ¹	RL - Rolls PA - Pre-Assembled FA - Fully Assembled



LP-SHC-RFT-2/ Recessed

SERIES	EXT. LENGTH	FINISH	OPTICAL LENS	TAPE LIGHT
LP-SHC-RFT-2	2 - 2ft 4 - 4ft 8 - 8ft C - Custom	SI - Silver BK - Black WH - White	FTD - Flat Diffuser FTO - Flat Opal ¹ FTT - Flat Transparent ¹ FTB - Flat Black ¹	RL - Rolls PA - Pre-Assembled FA - Fully Assembled



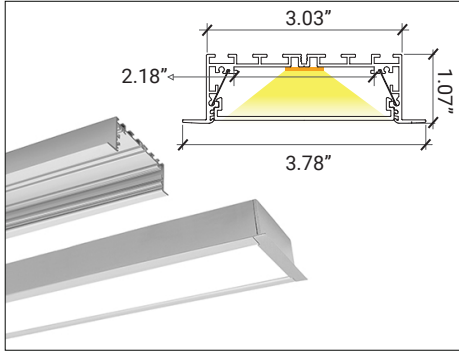
LP-MDC-RFT-2/ Recessed

Accessories Available, please refer to the channel spec sheet.

SERIES	EXT. LENGTH	FINISH	OPTICAL LENS	TAPE LIGHT
LP-MDC-RFT-2	2 - 2ft 4 - 4ft 8 - 8ft C - Custom	SI - Silver BK - Black WH - White	FTD - Flat Diffuser FTO - Flat Opal ¹ FTT - Flat Transparent ¹ FTB - Flat Black ¹	RL - Rolls PA - Pre-Assembled FA - Fully Assembled



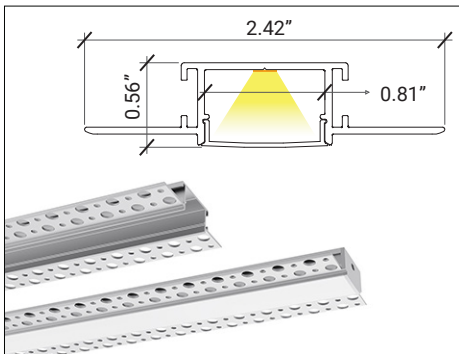
1. Consult factory for colors and optical lenses options.



LP-LGC-RFT-2/ Recessed

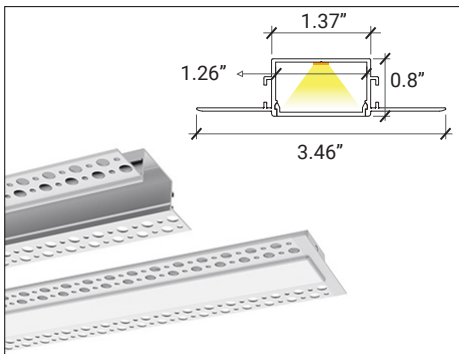
Accessories Available, please refer to the channel spec sheet.

SERIES	EXT. LENGTH	FINISH	OPTICAL LENS	TAPE LIGHT
LP-LGC-RFT-2	2 - 2ft 4 - 4ft 8 - 8ft C - Custom	SI - Silver BK - Black WH - White	FTD - Flat Diffuser FTO - Flat Opal ¹ FTT - Flat Transparent ¹ FTB - Flat Black ¹	RL - Rolls PA - Pre-Assembled FA - Fully Assembled



LP-MDC-RTL-1/ Trimless

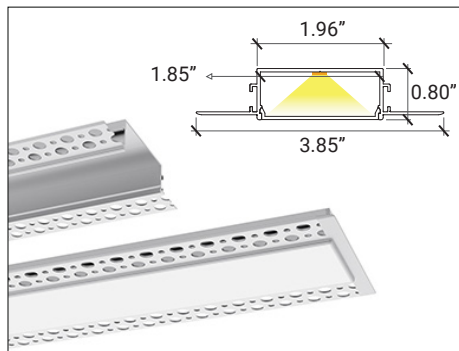
SERIES	EXT. LENGTH	FINISH	OPTICAL LENS	TAPE LIGHT
LP-MDC-RTL-1	2 - 2ft 4 - 4ft 8 - 8ft C - Custom	SI - Silver BK - Black WH - White	FTD - Flat Diffuser FTO - Flat Opal ¹ FTT - Flat Transparent ¹ FTB - Flat Black ¹	RL - Rolls PA - Pre-Assembled FA - Fully Assembled



LP-SHC-RTL-2/ Trimless

Accessories Available, please refer to the channel spec sheet.

SERIES	EXT. LENGTH	FINISH	OPTICAL LENS	TAPE LIGHT
LP-SHC-RTL-2	2 - 2ft 4 - 4ft 8 - 8ft C - Custom	SI - Silver BK - Black WH - White	FTD - Flat Diffuser FTO - Flat Opal ¹ FTT - Flat Transparent ¹ FTB - Flat Black ¹	RL - Rolls PA - Pre-Assembled FA - Fully Assembled



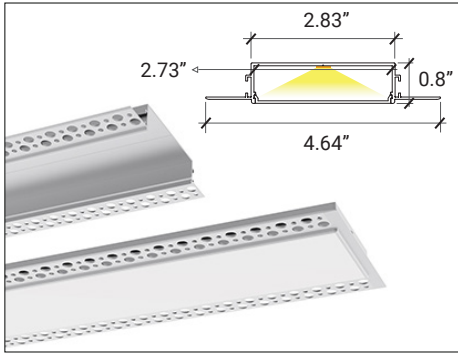
LP-MDC-RTL-2/ Trimless

Accessories Available, please refer to the channel spec sheet.

SERIES	EXT. LENGTH	FINISH	OPTICAL LENS	TAPE LIGHT
LP-MDC-RTL-2	2 - 2ft 4 - 4ft 8 - 8ft C - Custom	SI - Silver BK - Black WH - White	FTD - Flat Diffuser FTO - Flat Opal ¹ FTT - Flat Transparent ¹ FTB - Flat Black ¹	RL - Rolls PA - Pre-Assembled FA - Fully Assembled



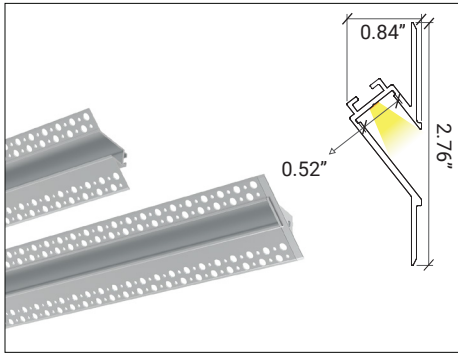
1. Consult factory for colors and optical lenses options.



LP-LGC-RTL-2/ Trimless

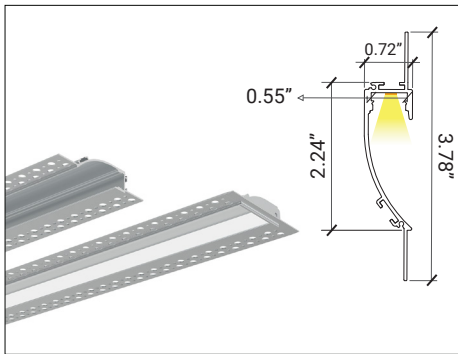
Accessories Available, please refer to the channel spec sheet.

SERIES	EXT. LENGTH	FINISH	OPTICAL LENS	TAPE LIGHT
LP-LGC-RTL-2	2 - 2ft 4 - 4ft 8 - 8ft C - Custom	SI - Silver BK - Black WH - White	FTD - Flat Diffuser FTO - Flat Opal ¹ FTT - Flat Transparent ¹ FTB - Flat Black ¹	RL - Rolls PA - Pre-Assembled FA - Fully Assembled



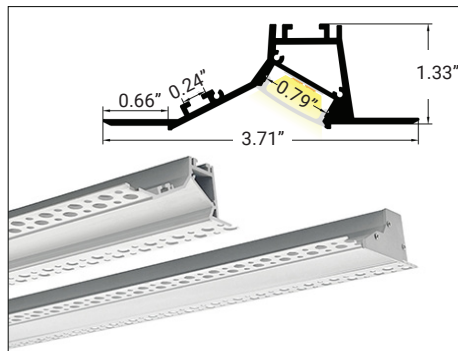
LP-LGC-WM-RTL-050/Wall Mount/Trimless

SERIES	EXT. LENGTH	FINISH	TAPE LIGHT
LP-LGC-WM-RTL-050	2 - 2ft 4 - 4ft 8 - 8ft C - Custom	SI - Silver BK - Black WH - White	RL - Rolls PA - Pre-Assembled FA - Fully Assembled



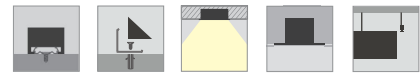
LP-MDC-WM-RTL-050/Wall Mount/Trimless

SERIES	EXT. LENGTH	FINISH	OPTICAL LENS	TAPE LIGHT
LP-MDC-WM-RTL-050	2 - 2ft 4 - 4ft 8 - 8ft C - Custom	SI - Silver BK - Black WH - White	FTD - Flat Diffuser FTO - Flat Opal ¹ FTT - Flat Transparent ¹ FTB - Flat Black ¹	RL - Rolls PA - Pre-Assembled FA - Fully Assembled

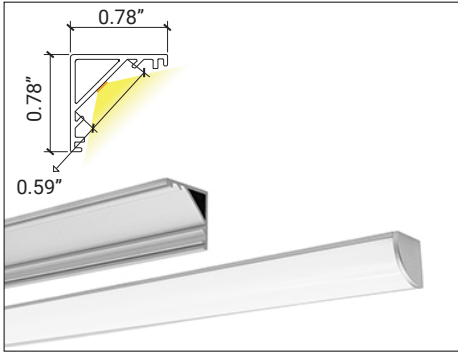


LP-MDC-WW-RTL-075/ Wall Washer

SERIES	EXT. LENGTH	FINISH	OPTICAL LENS	TAPE LIGHT
LP-MDC-WW-RTL-075	2 - 2ft 4 - 4ft 8 - 8ft C - Custom	SI - Silver BK - Black WH - White	FTD - Flat Diffuser FTO - Flat Opal ¹ FTT - Flat Transparent ¹ FTB - Flat Black ¹	RL - Rolls PA - Pre-Assembled FA - Fully Assembled

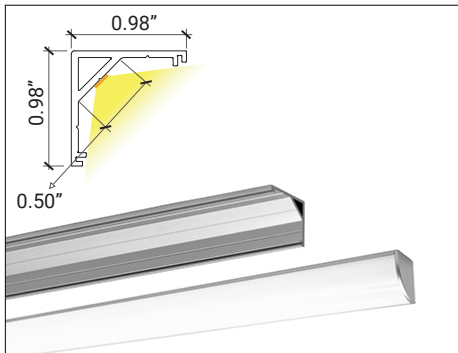


1. Consult factory for colors and optical lenses options.



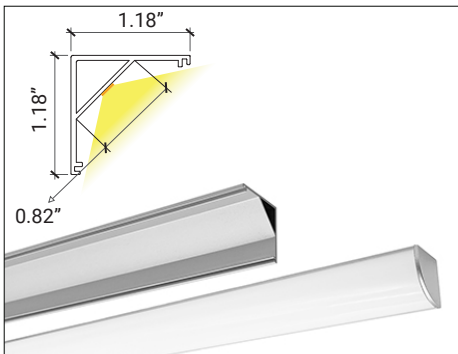
LP-LGC-S90-075/ Surface Corner

SERIES	EXT. LENGTH	FINISH	OPTICAL LENS	TAPE LIGHT
LP-LGC-S90-075	2 - 2ft 4 - 4ft 8 - 8ft C - Custom	SI - Silver BK - Black WH - White	90D - 90° Diffuser 90O - 90° Opal ¹ 90T - 90° Transparent ¹ 90B - 90° Black ¹ COD - Corner Diffuser COP - Corner Opal ¹ COT - Corner Transparent ¹ COB - Corner Black ¹	RL - Rolls PA - Pre-Assembled FA - Fully Assembled



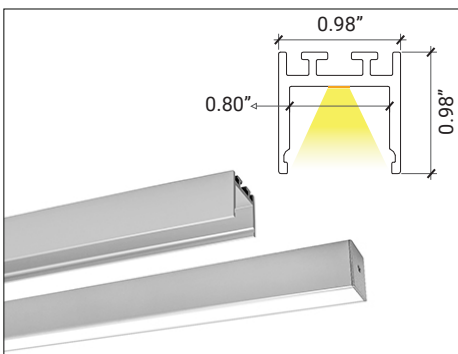
LP-LGC-S90-1/ Surface Corner

SERIES	EXT. LENGTH	FINISH	OPTICAL LENS	TAPE LIGHT
LP-LGC-S90-1	2 - 2ft 4 - 4ft 8 - 8ft C - Custom	SI - Silver BK - Black WH - White	90D - 90° Diffuser 90O - 90° Opal ¹ 90T - 90° Transparent ¹ 90B - 90° Black ¹ COD - Corner Diffuser COP - Corner Opal ¹ COT - Corner Transparent ¹ COB - Corner Black ¹	RL - Rolls PA - Pre-Assembled FA - Fully Assembled



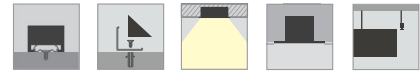
LP-LGC-S90-2/ Surface Corner

SERIES	EXT. LENGTH	FINISH	OPTICAL LENS	TAPE LIGHT
LP-LGC-S90-2	2 - 2ft 4 - 4ft 8 - 8ft C - Custom	SI - Silver BK - Black WH - White	90D - 90° Diffuser 90O - 90° Opal ¹ 90T - 90° Transparent ¹ 90B - 90° Black ¹ COD - Corner Diffuser COP - Corner Opal ¹ COT - Corner Transparent ¹ COB - Corner Black ¹	RL - Rolls PA - Pre-Assembled FA - Fully Assembled

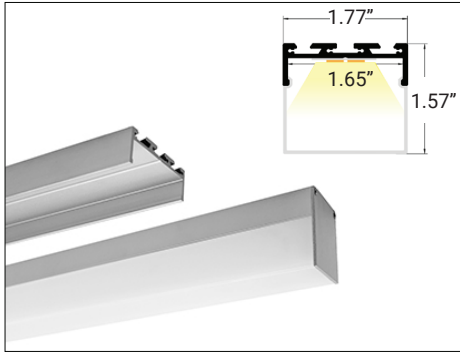


LP-MDC-SPD-1/ Suspended

SERIES	EXT. LENGTH	FINISH	OPTICAL LENS	CLIP	TAPE LIGHT
LP-MDC-SPD-1	2 - 2ft 4 - 4ft 8 - 8ft C - Custom	SI - Silver BK - Black WH - White	FTD - Flat Diffuser FTO - Flat Opal ¹ FTT - Flat Transparent ¹ FTB - Flat Black ¹	PC - Pendant Cable SC - Surface Clip	RL - Rolls PA - Pre-Assembled FA - Fully Assembled

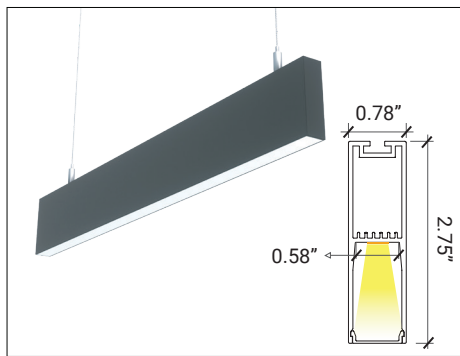


1. Consult factory for colors and optical lenses options.



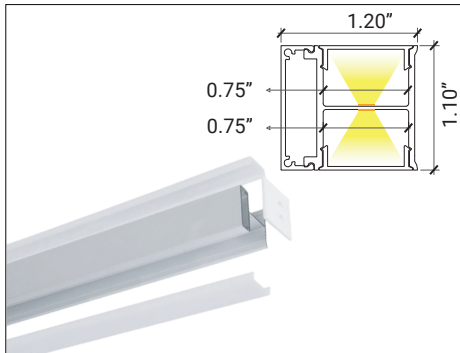
LP-SHC-SPD-2/ Suspended

SERIES	EXT. LENGTH	FINISH	OPTICAL LENS	TAPE LIGHT
LP-SHC-SPD-2	2 - 2ft 4 - 4ft 8 - 8ft C - Custom	SI - Silver BK - Black WH - White	FTD - Flat Diffuser FTO - Flat Opal ¹ FTT - Flat Transparent ¹ FTB - Flat Black ¹ 90D - 90° Diffuser 90O - 90° Opal ¹ 90T - 90° Transparent ¹ 90B - 90° Black ¹ TRD - Triangular Diffuser TRO - Triangular Opal ¹ TRT - Triangular Transparent ¹ TRB - Triangular Black ¹	RL - Rolls PA - Pre-Assembled FA - Fully Assembled



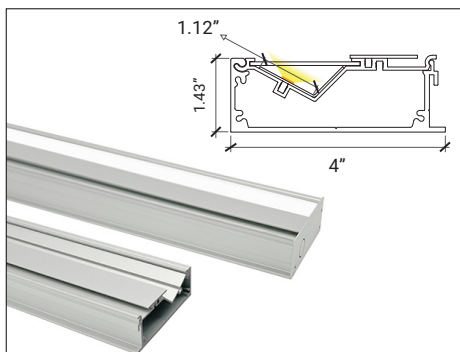
LP-MDC-SPD-2/ Suspended

SERIES	EXT. LENGTH	FINISH	OPTICAL LENS	TAPE LIGHT
LP-MDC-SPD-2	2 - 2ft 4 - 4ft 8 - 8ft C - Custom	BK - Black WH - White	FTD - Flat Diffuser FTO - Flat Opal ¹ FTT - Flat Transparent ¹ FTB - Flat Black ¹	RL - Rolls PA - Pre-Assembled FA - Fully Assembled



LP-MDC-WM-DI-1/ Surface / Up & Down Light

SERIES	EXT. LENGTH	FINISH	OPTICAL LENS	TAPE LIGHT
LP-MDC-WM-DI-1	2 - 2ft 4 - 4ft 8 - 8ft C - Custom	SI - Silver BK - Black WH - White	FTD - Flat Diffuser FTO - Flat Opal ¹ FTT - Flat Transparent ¹ FTB - Flat Black ¹	RL - Rolls PA - Pre-Assembled FA - Fully Assembled



LP-MDC-WW-RTL-2/ Cove

SERIES	EXT. LENGTH	FINISH	OPTICAL LENS	TAPE LIGHT
LP-MDC-WW-RTL-2	2 - 2ft 4 - 4ft 8 - 8ft C - Custom	SI - Silver BK - Black WH - White	FTD - Flat Diffuser FTO - Flat Opal ¹ FTT - Flat Transparent ¹	RL - Rolls PA - Pre-Assembled FA - Fully Assembled

RGB-Tunable White / Wall Controller (RF Signal)

This solution enables the strip light to function with a wall controller (RF signal). It includes the following components:

Driver – Powers the strip light.

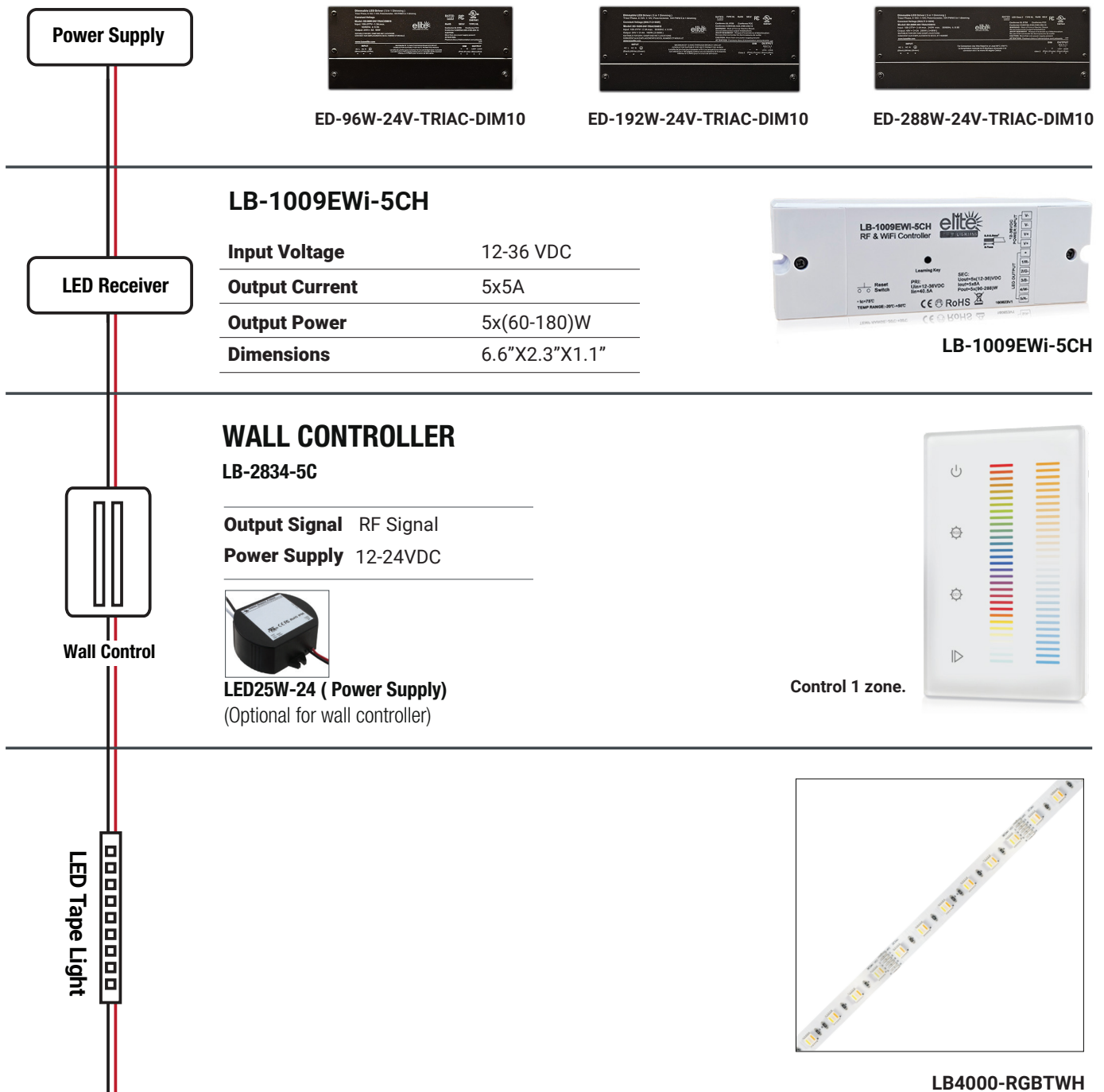
Receiver – Receives signals from the wall controller to control the strip light.

Wall Controller (RF Signal) – Used to control the strip light remotely.

LED25W-24 Power Supply – Connected to the wall controller to convert the 120V AC from the wall outlet to 24V DC, which is necessary for the controller to function.

This configuration ensures seamless control of the strip light while maintaining the necessary power conversion and signal reception.

[Click on the images for detailed information.](#)



RGB-Tunable White / Remote Controller (RF Signal)

This solution enables the strip light to function with a remote controller (RF signal). It includes the following components:

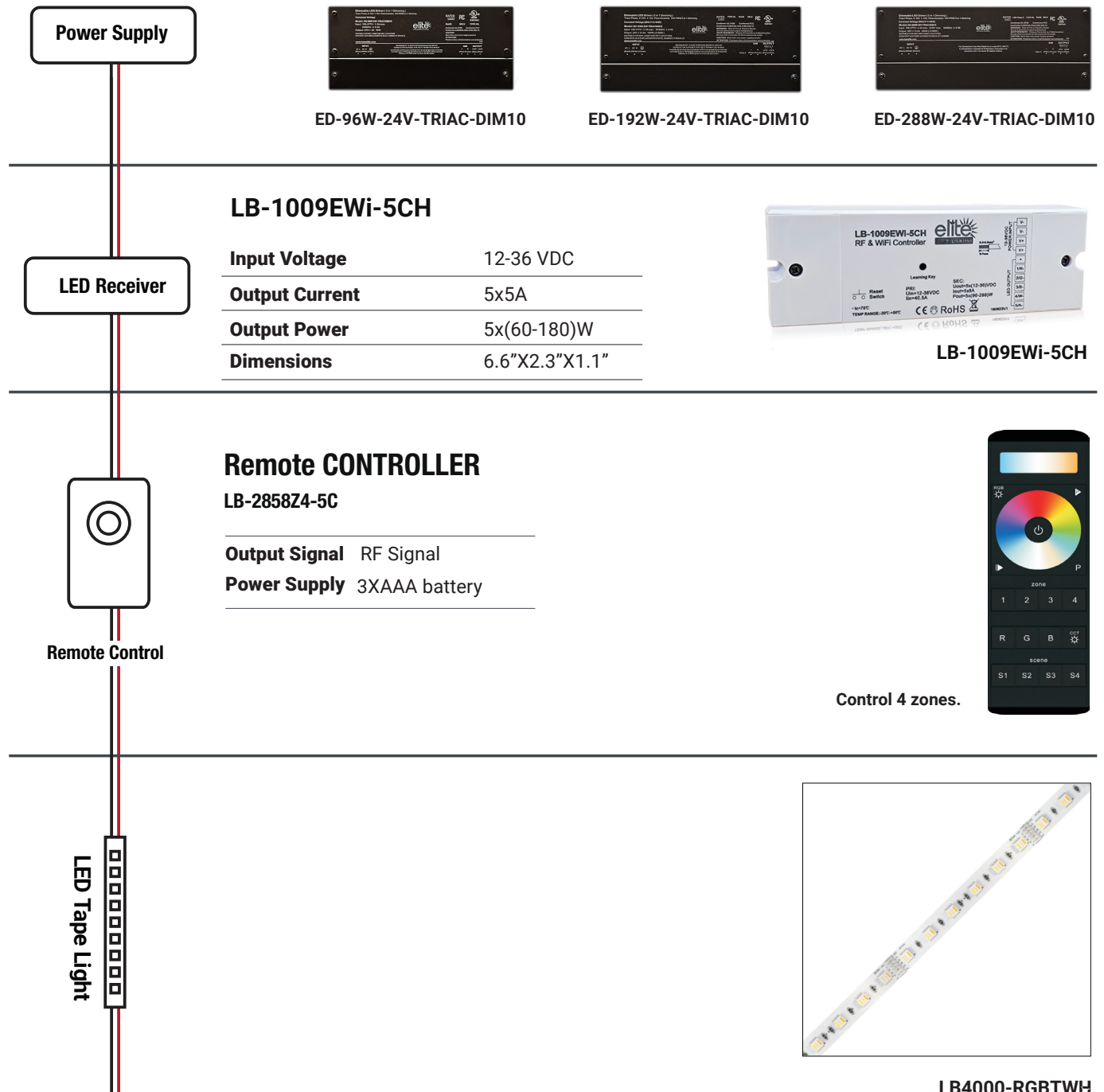
Driver – Powers the strip light.

Receiver – Receives signals from the wall dimmer controller to control the strip light.

Remote Controller (RF Signal) – Used to control the strip light remotely, powered by 3-AAA batteries.

This configuration ensures seamless control of the strip light while maintaining the necessary signal reception.

[Click on the images for detailed information.](#)



RGB-Tunable White / Wall Dimmer Controller (RF Signal)

This solution enables the strip light to function with a wall dimmer controller (RF signal). It includes the following components:

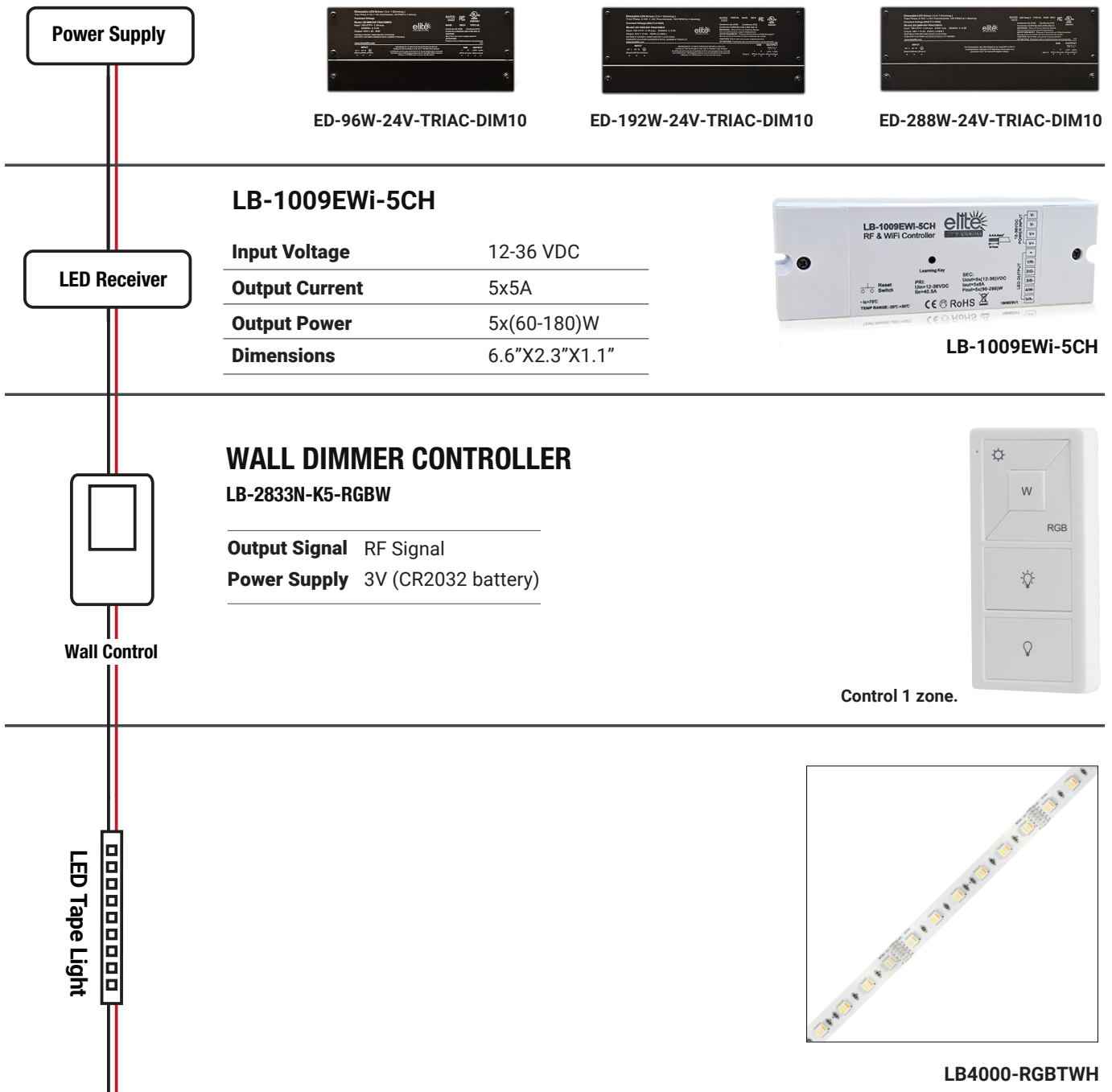
Driver – Powers the strip light.

Receiver – Receives signals from the wall dimmer controller to control the strip light.

Wall Dimmer Controller (RF Signal) – Used to control the strip light remotely, powered by a 3V CR2032 battery.

This configuration ensures seamless control of the strip light while maintaining the necessary signal reception.

[Click on the images for detailed information.](#)



RGB-Tunable White / DMX Wired

This solution enables the strip light to function with a wired DMX system. It includes the following components:

Driver – Powers the strip light.

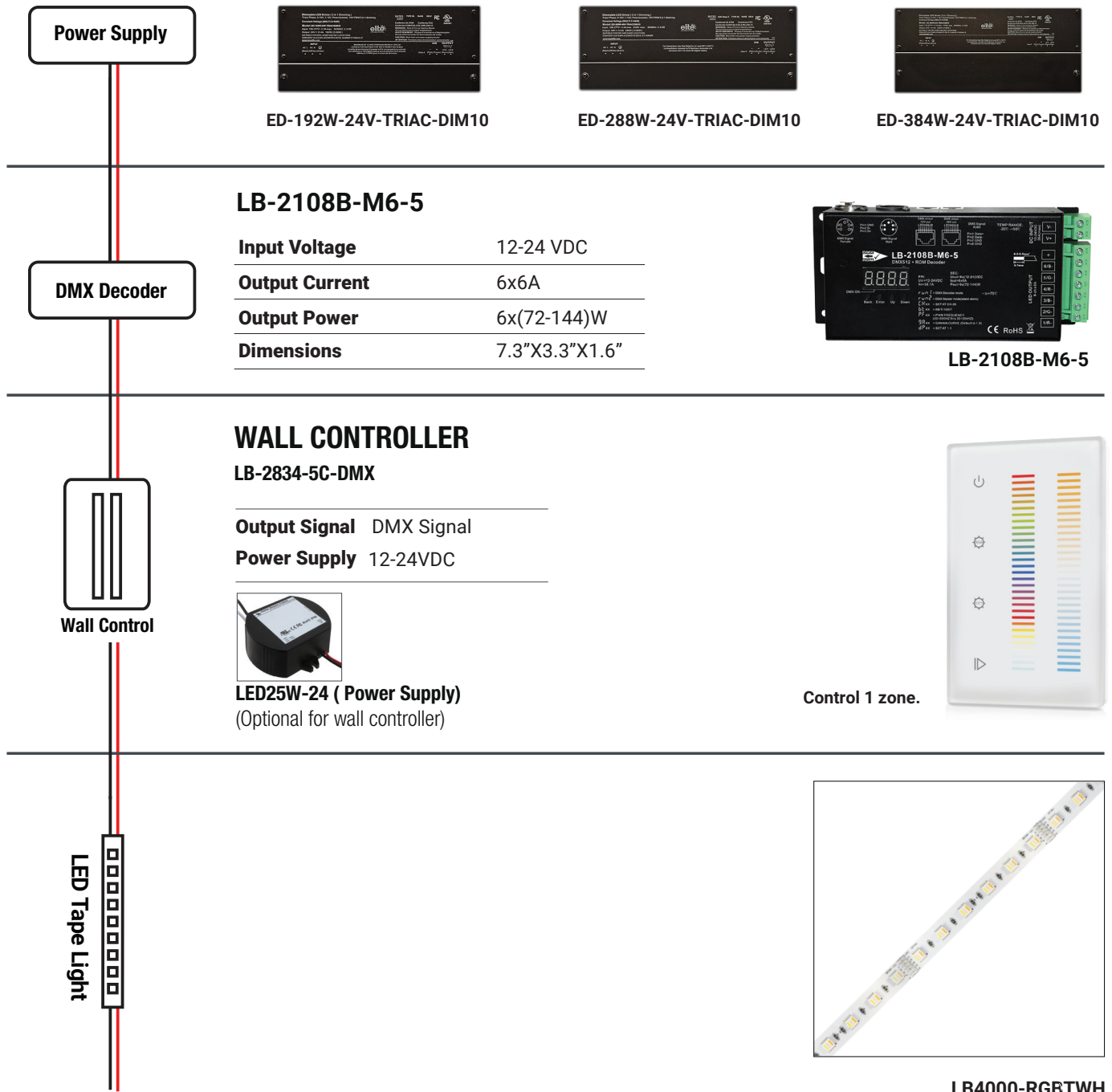
DMX Decoder – Receives the DMX signal (via a wired connection) and converts it into control signals for the strip light, adjusting the color and brightness.

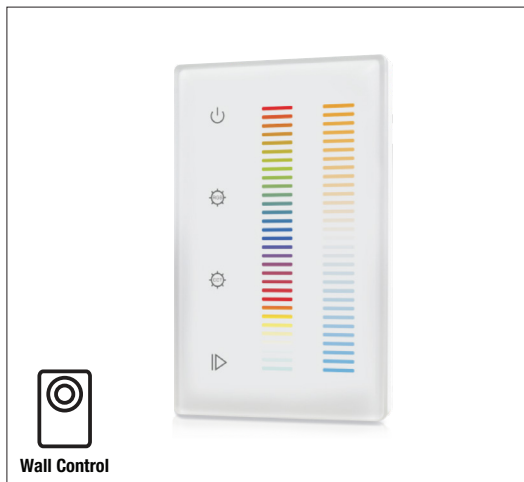
Wall Controller – Sends the DMX signal to the DMX decoder, remotely controlling the strip light via a wired connection.

LED25W-24 Power Supply – Connected to the wall controller, this power supply converts the 120V AC from the wall outlet into 24V DC, which is necessary for the controller to function.

This configuration ensures precise, wired DMX control over the strip light, enabling full control of the light's color and brightness, while maintaining proper power conversion and signal reception.

Click on the images for detailed information.



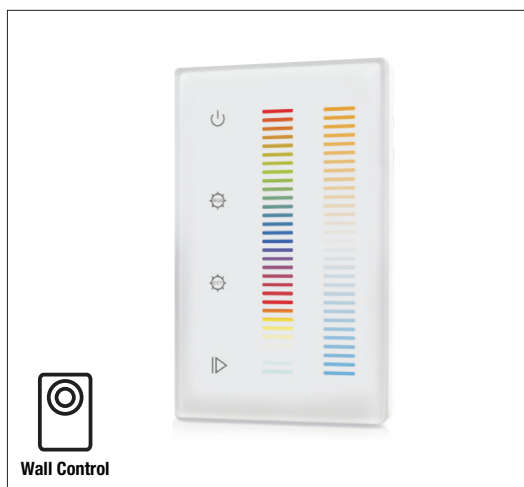


LB-2834-5C RGB+CCT Color Wall Panel Controller

- Double touch sliders, one for RGB and the other one for CCT adjustment.
- Control 1 zone with endless receivers in each zone.
- Save up to 3 colors/scenes for each zone.
- 10 built-in color changing effects are available with pause function.
- Remote control over 20 meters.
- Receivers can work with the WiFi-RF converter using the “EasyLighting” or “Easyhome” app on IOS and Android systems.

TECHNICAL DETAILS

Output Signal	RF Signal	Certifications	FCC / RoHS
Power Supply	12-24 VDC	Zones	Control 1 zone of RF receiver
Power Consumption	< 20 mA	Frequency	916.5MHz
Operating Temperature	0-40°C / 32°F-104°F	Surface	Glass
Dimensions	4.7”X2.9”X1”	Control	RGB/CCT controller
Color	White	Warranty	5-years limited warranty



LB-2834-5C-DMX RGB+Dual Color DMX Wall Panel Controller

- Double touch sliders, one for RGB and the other one for CCT adjustment.
- 5 channel full touch LED controller for RGB+CCT, standard DMX
- Save up to 3 colors/scenes for each zone.
- 10 built-in color changing effects are available with pause function.
- Control RGB color and CCT respectively without having to switch.
- Compatible with universal DMX decoders.

TECHNICAL DETAILS

Output Signal	DMX512 Signal	Color	White
Power Supply	12-24 VDC	Certifications	FCC / RoHS
Consumption Power	< 20 mA	Zones	1 zone
Operating Temperature	0-40°C / 32°F-104°F	Surface	Glass
Dimensions	4.7”X2.9”X1”	Control	RGB+CCT controller
Mounting	Wall Mount	Warranty	5 Years limited warranty



LB-2858Z4-5C RGB + CCT Remote Controller

- Enable 5 channel control of RGB and dual color (warm white and cold white).
- Ultra-sensitive tempered glass touch color wheel.
- RGB and CCT channels can be controlled separately.
- Programmable function by choosing colors(max 5 colors) and touch the "P" key.
- Four running modes, including jump, flash, fade, and strobe, are available for the programmed colors.
- Set 4 scenes.
- Enable dimming of the brightness for each R, G, B, W channel, allowing the mixing of millions of colors.
- One receiver can be paired with a maximum of 8 different remote controls.
- Receivers can work with the WiFi-RF converter using the "EasyLighting" or "Easyhome" app on IOS and Android systems.

TECHNICAL DETAILS

Output Signal	RF Signal
Power Supply	4.5V (3xAAA battery)
Operating Temperature	0-40°C / 32°F-104°F
Dimensions	6"X2"X0.7"
Color	Black

Certifications	FCC / RoHS
Zones	Control 4 Zones of RF receivers
Frequency	869.5/916.5/434MHz
Warranty	5-years limited warranty



LB-2833N-K5-RGBW RF RGBW Dimmer

RF wireless RGBW Remote can control **1 zone of receiver**. This RGBW color controller is compatible with all universal series RF receivers. One receiver can be paired with a **maximum of 8 remote controllers**. This device contains a button lithium battery that should be stored and disposed of properly. **DO NOT expose the device to moisture.**

Output Signal	RF Signal
Power Supply	3V (CR2032 battery)
Operating Temperature	0-40°C / 32°F-104°F
Dimensions	2.5"X1.2"X0.35"
Zones	Control 1 Zone of receiver
Frequency	916.5MHz
Rated	IP20
Warranty	5-Years limited warranty



LED25W-24 (Power Supply) Optional for Wall Controller

Total Power: 25 Watts
 Input Voltage: 100-277 VAC
 UL Dry & Damp Location Rated
 IP66
 High Efficiency
 High Power Factor
 Analog Dimming (0-10V)
 Black Magic Thermal Advantage, Plastic Housing



LB-2108B-M6-5 DMX512 & RDM Decoder

The LB-2108B-M6-5 is an Ultra-Pro 6CH RDM DMX512 decoder equipped with master and decoder modes and RDM functionality. Encased in a metal housing and featuring a digital display, it can directly display data and easily set and show DMX addresses.

This device offers multiple types of DMX input/output ports, including RJ45, XLR, and standard screws. It provides a total of 6 PWM output channels, all with common anode configuration. The DMX channel quantity can be configured as either 1CH or 6CH, and the PWM output resolution ratio can be set to 8-bit or 16-bit. With adjustable decoding modes, the output PWM frequency ranges from 500Hz to 35KHz, and the output dimming curve gamma value can be adjusted from 0.1 to 9.9.

TECHNICAL DETAILS

Input Voltage	12-24 VDC
Output Current	6x6A
Output Power	6x(72-144)W
Dimensions	7.3"X3.3"X1.6"

Output PWM Frequency	500HZ - 35K HZ settable
Certifications	FCC / RoHS
Color	Black
Warranty	5-years limited warranty



LB-1009EWI-5CH RF+WiFi RGB+CCT Controller

The RF LED receiver LB-1009EWI-5CH is a 5-channel, fully functional constant voltage LED controller available with 12-36VDC and a maximum output of 5A per channel. It can drive RGB and dual-color (warm white and cold white) LED lighting with a single receiver when paired with an RGB and CCT remote.

In addition to RGB and CCT LEDs, the 5-channel RF receiver also supports monochrome, dual-color, RGB, and RGB lighting when paired with the corresponding remote or wall-mounted control.

It offers not only smooth brightness dimming function but also accurate color temperature and RGB color tone adjustment with PWM output. Multiple zones can be controlled separately or synchronously with endless receivers in each zone. Built-in changing patterns are available and can be saved to each zone. The brightness of each zone's R, G, B, W channels can be adjusted separately to achieve millions of colors.

When working with WiFi-RF converters, the RF receiver can be WiFi-controlled by an app installed on iOS or Android mobile devices.

TECHNICAL DETAILS

Input Voltage	12-36 VDC
Output Current	5x5A
Output Power	5x(60-180)W
Dimensions	6.6"X2.3"X1.1"

Frequency	869.5/916.5/434MHZ
Certifications	FCC / RoHS
Color	White
Warranty	5-years limited warranty