

LB4000-RGB Series
Indoor Strip Light
Width / 0.39" / 10mm
51 LEDs/FT



FEATURES

Illuminate your space with vibrant hues using the LB4000-RGB Lumi-PRO Strip light. Integrating Elite Lighting's cutting-edge decoders and controllers, this strip light offers versatility and control. Whether you desire a serene blue, a passionate red, or a rejuvenating green, the **LB4000-RGB's color mixing capabilities bring your vision to life with precision and finesse.**

Additionally, with the ELDO LED Linear drive option, you can enhance the performance of your lighting design, **ensuring a seamless and captivating ambiance for any project. Elevate your lighting experience with the LB4000-RGB and indulge in a spectrum of possibilities.**

High power 6.1W/ft
Indoor/Damp Location (IP22)

High density 51 LEDs/ft
Field cuttable every 1.41"

Warranty: 3 years limited warranty

Color 6.1W/ft.

Red	55 lm/ft
Green	165 lm/ft
Blue	35 lm/ft
RGB	250 lm/ft

WIRING ACCESSORIES (Tape light comes with 4ft standard length soldered lead attached on one side)

TT10-4 (1 Piece Included)



Tape-to-Tape Connector
10mm / 4 Pole

TW10-4 (1 Piece Included)



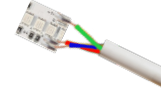
Power Connector
6" Length

JP10-4 (1 Piece Included)



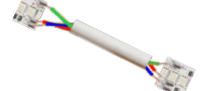
Tape-to-Tape Jumper
6" Length

SL-4 (Standard SL Attached)



Soldered Lead
4ft standard length
(custom length sizes available)

JPSL-4 (Optional)



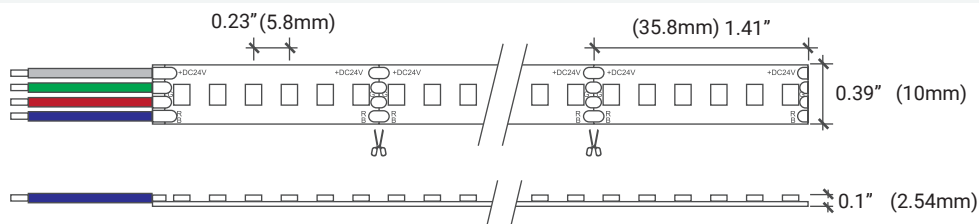
Soldered Jumper
6" L jumper
(custom length sizes available)

TECHNICAL DETAILS

Power	6.1W/ft
Voltage	24V
Technology	RGB
LED Qty	51/ft
Max Run(ft)	6.6ft
Cutting Length	Every 1.41"
Dimensions	W0.39" X H0.1"
Working Temp.	-4F / +122F

Experience **unparalleled** performance with our precision-engineered, high-quality **Lumi-PRO LB4000-RGB LED Strip Light**, meticulously designed to meet the demands of the **most challenging applications.**

DIMENSIONS



It Can be ordered in 3 different ways.

1. Everything will be shipped separately

- Tape light, cover, extrusion and accessories will be cut and shipped to your desired length.

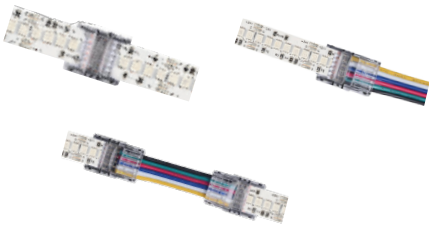


Tape Light



Cover, mounting clips, end caps, and channel if ordered.

Accessories if ordered.



2. Pre-assembled and shipped separately as two units

- Tape light, cover, extrusion and accessories will be cut and shipped to your desired length.
- Wiring accessories will be attached to the tape light.
- Cover, end caps and clips will be assembled to the channel.



Wiring accessories attached to the tape light.



Channel will be cut and assembled to your desired length.

3. Fully assembled and shipped as a single unit

- Tape light, cover, extrusion and accessories will be cut and shipped to your desired length.
- Wiring accessories will be attached to the tape light.
- Tape light will be installed into the channel and ready to use.



Refer to the next page for COMPATIBLE channels.

ORDERING SELECTION

Example: LB4000-6.1W-16F-RGB-24V

					End 1				End 2
LB4000									
					Leave END blank when no ACCESSORY is desired				
SERIES	WATTAGE	LENGTH	TECHNOLOGY	VOLTAGE	WIRING ACCESSORIES			CHANNEL	DRIVER
LB4000	6.1W - 6.1W/ft	16F - 16ft Roll CUS_ - Custom (Cutting length every 1.41")	RGB - RGB	24V - 24V	TW10-4	-	Power Connector	Refer to the next page for available options.	Refer to the next pages for available options.
					TT10-4	-	Tape to Tape Connector		
					JP10-4	-	Tape to Tape Jumper		
					SL-4	-	Soldered Lead (custom length sizes available)		
					JPSL-4	-	Soldered Jumper (custom length sizes available)		

CONTROLLERS

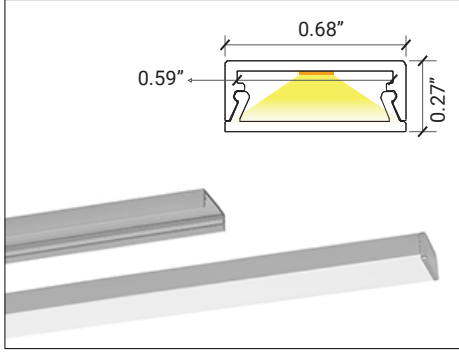
- LB-2812Wi - Wall Controller
- LB-2820US - Wall Controller
- LB-2819S - Remote Controller
- LB-2833-K5-RGBW - Wall Dimmer
- LED25W-24 - Power Supply
- LB-2108B-M6-3 - DMX Decoder Wired
- LB-1009EAWI - RF DMX Decoder
- LB-2817DMX - RF Converter
- LB-2108-24-96CVF-UL - DMX Decoder Wired
- LIN100M1 - Eldo LED Driver

SHIPPING OPTIONS

- RL - Rolls 16ft
- PA - Pre-Assembled
- FA - Fully Assembled

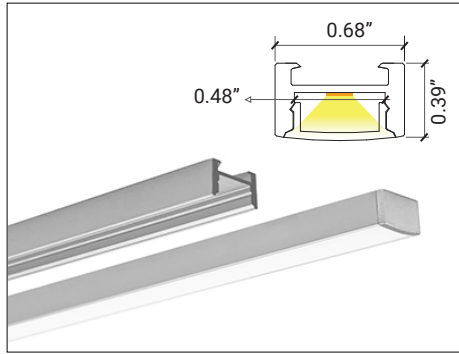


1 Consult factory for colors and optical lenses options.



LP-SHC-CM-075/ Surface

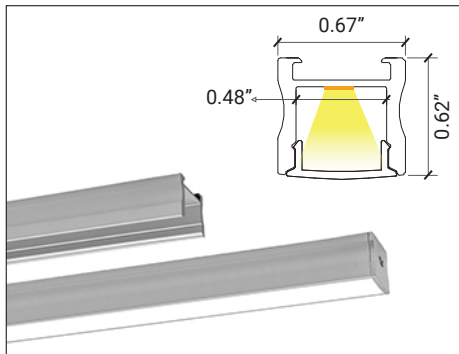
SERIES	EXT. LENGTH	FINISH	OPTICAL LENS	TAPE LIGHT
LP-SHC-CM-075	2 - 2ft 4 - 4ft 8 - 8ft C - Custom	SI - Silver BK - Black ¹ WH - White ¹	FTD - Flat Diffuser FTO - Flat Opal ¹ FTT - Flat Transparent ¹ FTB - Flat Black ¹	INS - Installed SEP - Separated CHANNEL ASB - Assembled SEP - Separated



LP-MDC-CM-075/ Surface

Accessories Available, please refer to the channel spec sheet.

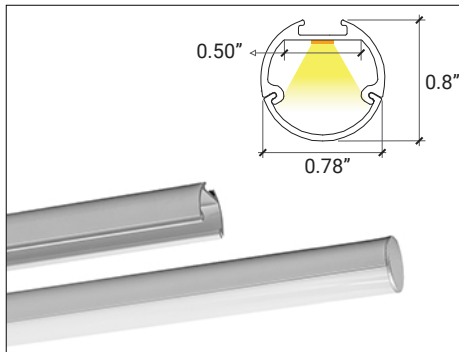
SERIES	EXT. LENGTH	FINISH	OPTICAL LENS	CLIP	TAPE LIGHT
LP-MDC-CM-075	2 - 2ft 4 - 4ft 8 - 8ft C - Custom	SI - Silver BK - Black ¹ WH - White ¹	FTD - Flat Diffuser FTO - Flat Opal ¹ FTT - Flat Transparent ¹ FTB - Flat Black ¹	SC - Surface Clip MC - Magnetic Clip	INS - Installed SEP - Separated CHANNEL ASB - Assembled SEP - Separated



LP-LGC-CM-075/ Surface

Accessories Available, please refer to the channel spec sheet.

SERIES	EXT. LENGTH	FINISH	OPTICAL LENS	CLIP	TAPE LIGHT
LP-LGC-CM-075	2 - 2ft 4 - 4ft 8 - 8ft C - Custom	SI - Silver BK - Black ¹ WH - White ¹	FTD - Flat Diffuser FTO - Flat Opal ¹ FTT - Flat Transparent ¹ FTB - Flat Black ¹	SC - Surface Clip MC - Magnetic Clip	INS - Installed SEP - Separated CHANNEL ASB - Assembled SEP - Separated

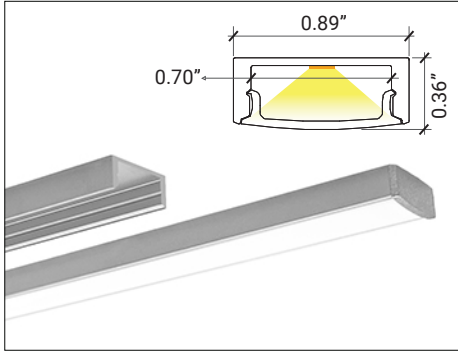


LP-SHC-SC-MG-075/ Surface

SERIES	EXT. LENGTH	FINISH	OPTICAL LENS	CLIP	TAPE LIGHT
LP-SHC-SC-MG-075	2 - 2ft 4 - 4ft 8 - 8ft C - Custom	SI - Silver BK - Black ¹ WH - White ¹	RDD - Rounded Diffuser RDO - Rounded Opal ¹ RDT - Rounded Transparent ¹ RDB - Rounded Black ¹	SC - Surface Clip MC - Magnetic Clip	INS - Installed SEP - Separated CHANNEL ASB - Assembled SEP - Separated

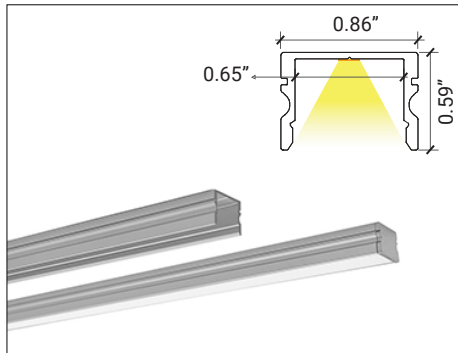


1 Consult factory for colors and optical lenses options.



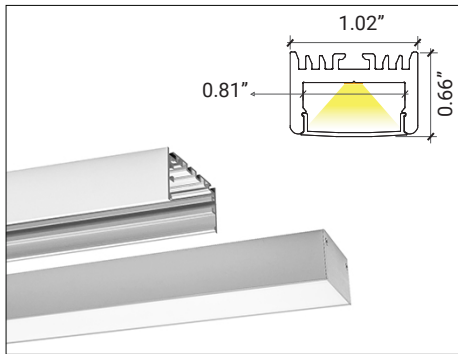
LP-SHC-CM-1/ Surface

SERIES	EXT. LENGTH	FINISH	OPTICAL LENS	TAPE LIGHT
LP-SHC-CM-1	2 - 2ft 4 - 4ft 8 - 8ft C - Custom	SI - Silver BK - Black ¹ WH - White ¹	FTD - Flat Diffuser FTO - Flat Opal ¹ FTT - Flat Transparent ¹ FTB - Flat Black ¹	INS - Installed SEP - Separated CHANNEL ASB - Assembled SEP - Separated



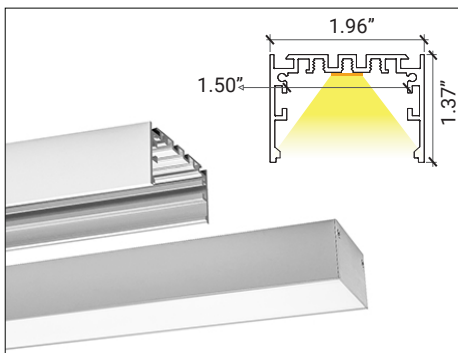
LP-MDC-CM-1/ Surface

SERIES	EXT. LENGTH	FINISH	OPTICAL LENS	TAPE LIGHT
LP-MDC-CM-1	2 - 2ft 4 - 4ft 8 - 8ft C - Custom	SI - Silver BK - Black ¹ WH - White ¹	FTD - Flat Diffuser FTO - Flat Opal ¹ FTT - Flat Transparent ¹ FTB - Flat Black ¹	INS - Installed SEP - Separated CHANNEL ASB - Assembled SEP - Separated



LP-LGC-CM-1/ Surface

SERIES	EXT. LENGTH	FINISH	OPTICAL LENS	TAPE LIGHT
LP-LGC-CM-1	2 - 2ft 4 - 4ft 8 - 8ft C - Custom	SI - Silver BK - Black ¹ WH - White ¹	FTD - Flat Diffuser FTO - Flat Opal ¹ FTT - Flat Transparent ¹ FTB - Flat Black ¹	INS - Installed SEP - Separated CHANNEL ASB - Assembled SEP - Separated

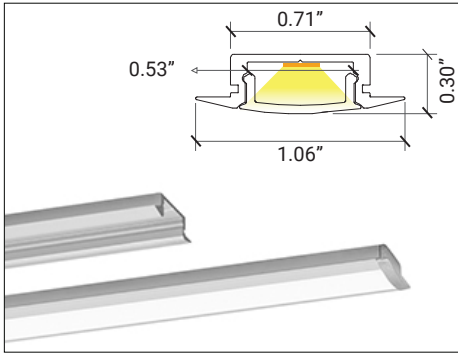


LP-LGC-CM-2/ Surface

SERIES	EXT. LENGTH	FINISH	OPTICAL LENS	TAPE LIGHT
LP-LGC-CM-2	2 - 2ft 4 - 4ft 8 - 8ft C - Custom	SI - Silver BK - Black ¹ WH - White ¹	FTD - Flat Diffuser FTO - Flat Opal ¹ FTT - Flat Transparent ¹ FTB - Flat Black ¹	INS - Installed SEP - Separated CHANNEL ASB - Assembled SEP - Separated

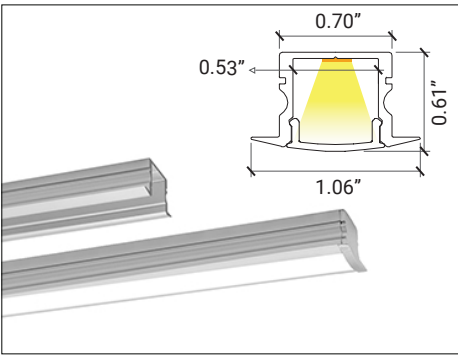


1 Consult factory for colors and optical lenses options.



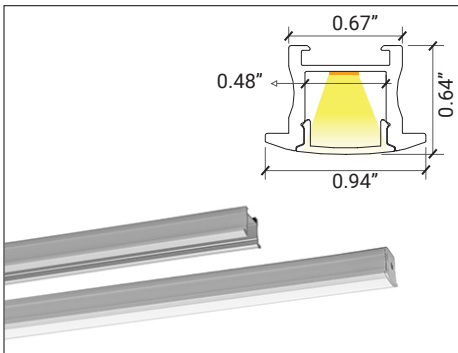
LP-SHC-RFT-075/ Recessed

SERIES	EXT. LENGTH	FINISH	OPTICAL LENS	TAPE LIGHT
LP-SHC-RFT-075	2 - 2ft 4 - 4ft 8 - 8ft C - Custom	SI - Silver BK - Black ¹ WH - White ¹	FTD - Flat Diffuser FTO - Flat Opal ¹ FTT - Flat Transparent ¹ FTB - Flat Black ¹	INS - Installed SEP - Separated
				CHANNEL
				ASB - Assembled SEP - Separated



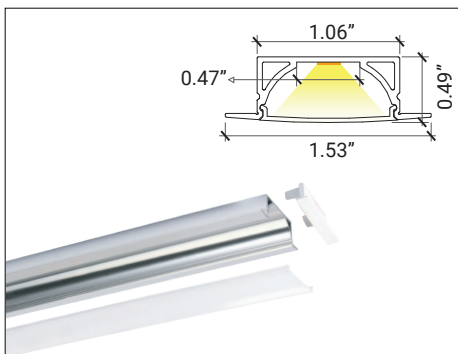
LP-MDC-RFT-075/ Recessed

SERIES	EXT. LENGTH	FINISH	OPTICAL LENS	TAPE LIGHT
LP-MDC-RFT-075	2 - 2ft 4 - 4ft 8 - 8ft C - Custom	SI - Silver BK - Black ¹ WH - White ¹	FTD - Flat Diffuser FTO - Flat Opal ¹ FTT - Flat Transparent ¹ FTB - Flat Black ¹	INS - Installed SEP - Separated
				CHANNEL
				ASB - Assembled SEP - Separated



LP-LGC-RFT-075/ Recessed
Accessories Available, please refer to the channel spec sheet.

SERIES	EXT. LENGTH	FINISH	OPTICAL LENS	CLIP	TAPE LIGHT
LP-LGC-RFT-075	2 - 2ft 4 - 4ft 8 - 8ft C - Custom	SI - Silver BK - Black ¹ WH - White ¹	FTD - Flat Diffuser FTO - Flat Opal ¹ FTT - Flat Transparent ¹ FTB - Flat Black ¹	SC - Surface Clip MC - Magnetic Clip	INS - Installed SEP - Separated
				CHANNEL	ASB - Assembled SEP - Separated

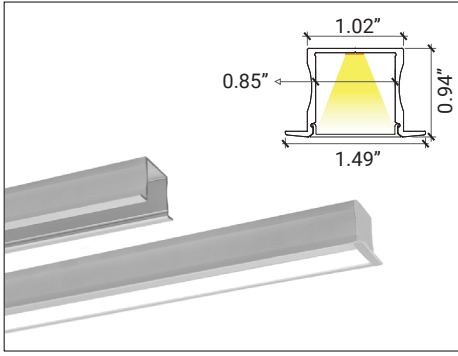


LP-SHC-RFT-1/ Recessed

SERIES	EXT. LENGTH	FINISH	OPTICAL LENS	TAPE LIGHT
LP-SHC-RFT-1	2 - 2ft 4 - 4ft 8 - 8ft C - Custom	SI - Silver BK - Black ¹ WH - White ¹	FTD - Flat Diffuser FTO - Flat Opal ¹ FTT - Flat Transparent ¹ FTB - Flat Black ¹	INS - Installed SEP - Separated
				CHANNEL
				ASB - Assembled SEP - Separated

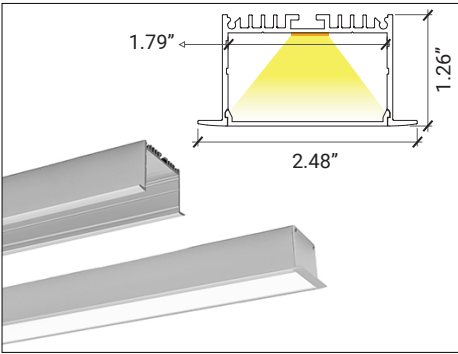


1 Consult factory for colors and optical lenses options.



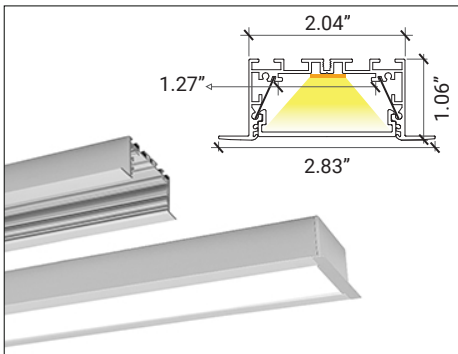
LP-LGC-RFT-1/ Recessed

SERIES	EXT. LENGTH	FINISH	OPTICAL LENS	TAPE LIGHT
LP-LGC-RFT-1	2 - 2ft 4 - 4ft 8 - 8ft C - Custom	SI - Silver BK - Black ¹ WH - White ¹	FTD - Flat Diffuser FTO - Flat Opal ¹ FTT - Flat Transparent ¹ FTB - Flat Black ¹	INS - Installed SEP - Separated CHANNEL ASB - Assembled SEP - Separated



LP-SHC-RFT-2/ Recessed

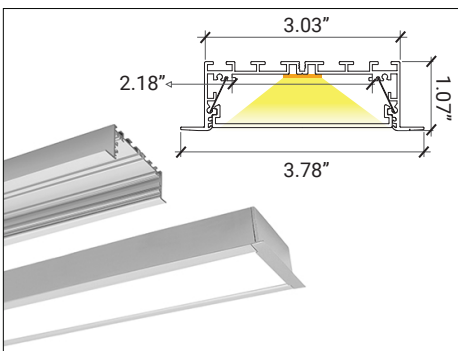
SERIES	EXT. LENGTH	FINISH	OPTICAL LENS	TAPE LIGHT
LP-SHC-RFT-2	2 - 2ft 4 - 4ft 8 - 8ft C - Custom	SI - Silver BK - Black ¹ WH - White ¹	FTD - Flat Diffuser FTO - Flat Opal ¹ FTT - Flat Transparent ¹ FTB - Flat Black ¹	INS - Installed SEP - Separated CHANNEL ASB - Assembled SEP - Separated



LP-MDC-RFT-2/ Recessed

Accessories Available, please refer to the channel spec sheet.

SERIES	EXT. LENGTH	FINISH	OPTICAL LENS	TAPE LIGHT
LP-MDC-RFT-2	2 - 2ft 4 - 4ft 8 - 8ft C - Custom	SI - Silver BK - Black ¹ WH - White ¹	FTD - Flat Diffuser FTO - Flat Opal ¹ FTT - Flat Transparent ¹ FTB - Flat Black ¹	INS - Installed SEP - Separated CHANNEL ASB - Assembled SEP - Separated



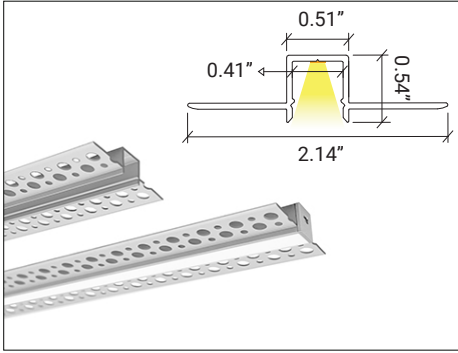
LP-LGC-RFT-2/ Recessed

Accessories Available, please refer to the channel spec sheet.

SERIES	EXT. LENGTH	FINISH	OPTICAL LENS	TAPE LIGHT
LP-LGC-RFT-2	2 - 2ft 4 - 4ft 8 - 8ft C - Custom	SI - Silver BK - Black ¹ WH - White ¹	FTD - Flat Diffuser FTO - Flat Opal ¹ FTT - Flat Transparent ¹ FTB - Flat Black ¹	INS - Installed SEP - Separated CHANNEL ASB - Assembled SEP - Separated

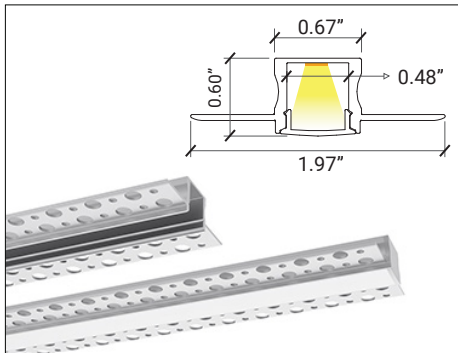


1 Consult factory for colors and optical lenses options.



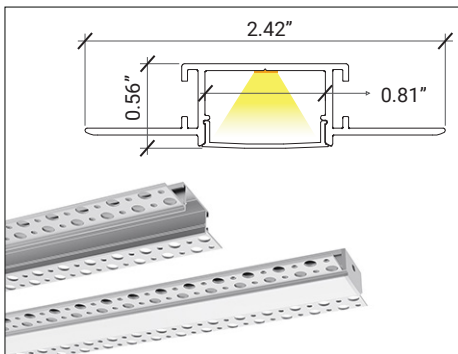
LP-LGC-RTL-050/ Trimless

SERIES	EXT. LENGTH	FINISH	OPTICAL LENS	TAPE LIGHT
LP-LGC-RTL-050	2 - 2ft 4 - 4ft 8 - 8ft C - Custom	SI - Silver BK - Black ¹ WH - White ¹	FTD - Flat Diffuser FTO - Flat Opal ¹ FTT - Flat Transparent ¹ FTB - Flat Black ¹	INS - Installed SEP - Separated CHANNEL ASB - Assembled SEP - Separated



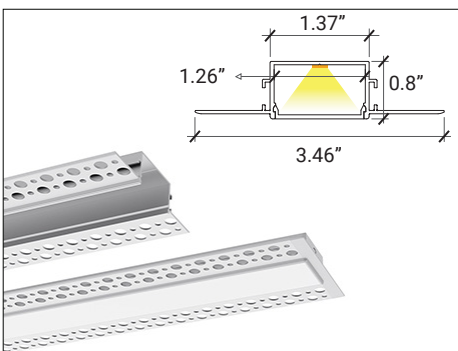
LP-LGC-RTL-075/ Trimless

SERIES	EXT. LENGTH	FINISH	OPTICAL LENS	TAPE LIGHT
LP-LGC-RTL-075	2 - 2ft 4 - 4ft 8 - 8ft C - Custom	SI - Silver BK - Black ¹ WH - White ¹	FTD - Flat Diffuser FTO - Flat Opal ¹ FTT - Flat Transparent ¹ FTB - Flat Black ¹	INS - Installed SEP - Separated CHANNEL ASB - Assembled SEP - Separated



LP-MDC-RTL-1/ Trimless

SERIES	EXT. LENGTH	FINISH	OPTICAL LENS	TAPE LIGHT
LP-MDC-RTL-1	2 - 2ft 4 - 4ft 8 - 8ft C - Custom	SI - Silver BK - Black ¹ WH - White ¹	FTD - Flat Diffuser FTO - Flat Opal ¹ FTT - Flat Transparent ¹ FTB - Flat Black ¹	INS - Installed SEP - Separated CHANNEL ASB - Assembled SEP - Separated

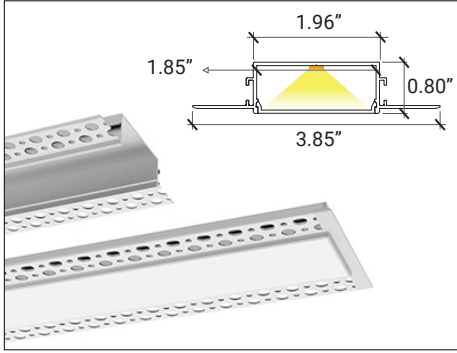


LP-SHC-RTL-2/ Trimless
Accessories Available, please refer to the channel spec sheet.

SERIES	EXT. LENGTH	FINISH	OPTICAL LENS	TAPE LIGHT
LP-SHC-RTL-2	2 - 2ft 4 - 4ft 8 - 8ft C - Custom	SI - Silver BK - Black ¹ WH - White ¹	FTD - Flat Diffuser FTO - Flat Opal ¹ FTT - Flat Transparent ¹ FTB - Flat Black ¹	INS - Installed SEP - Separated CHANNEL ASB - Assembled SEP - Separated



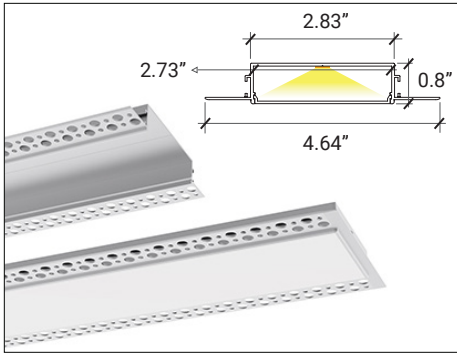
¹ Consult factory for colors and optical lenses options.



LP-MDC-RTL-2/ Trimless

Accessories Available, please refer to the channel spec sheet.

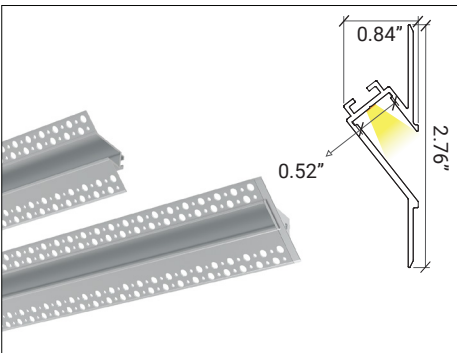
SERIES	EXT. LENGTH	FINISH	OPTICAL LENS	TAPE LIGHT
LP-MDC-RTL-2	2 - 2ft 4 - 4ft 8 - 8ft C - Custom	SI - Silver BK - Black ¹ WH - White ¹	FTD - Flat Diffuser FTO - Flat Opal ¹ FTT - Flat Transparent ¹ FTB - Flat Black ¹	INS - Installed SEP - Separated CHANNEL ASB - Assembled SEP - Separated



LP-LGC-RTL-2/ Trimless

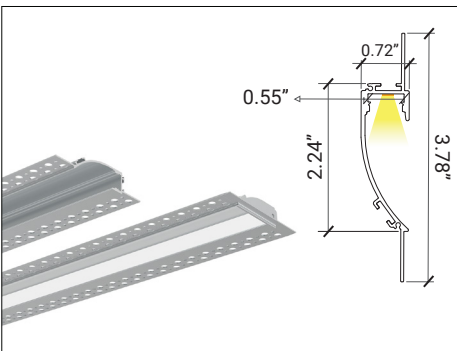
Accessories Available, please refer to the channel spec sheet.

SERIES	EXT. LENGTH	FINISH	OPTICAL LENS	TAPE LIGHT
LP-LGC-RTL-2	2 - 2ft 4 - 4ft 8 - 8ft C - Custom	SI - Silver BK - Black ¹ WH - White ¹	FTD - Flat Diffuser FTO - Flat Opal ¹ FTT - Flat Transparent ¹ FTB - Flat Black ¹	INS - Installed SEP - Separated CHANNEL ASB - Assembled SEP - Separated



LP-LGC-WM-RTL-050/Wall Mount/Trimless

SERIES	EXT. LENGTH	FINISH	TAPE LIGHT
LP-LGC-WM-RTL-050	2 - 2ft 4 - 4ft 8 - 8ft C - Custom	SI - Silver BK - Black ¹ WH - White ¹	INS - Installed SEP - Separated CHANNEL ASB - Assembled SEP - Separated

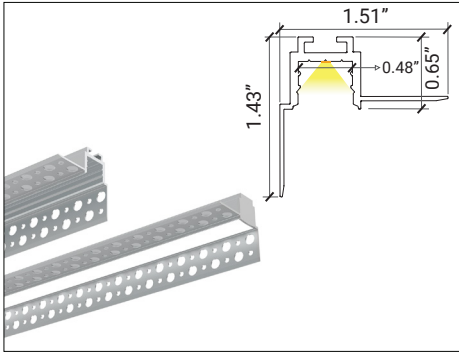


LP-MDC-WM-RTL-050/Wall Mount/Trimless

SERIES	EXT. LENGTH	FINISH	OPTICAL LENS	TAPE LIGHT
LP-MDC-WM-RTL-050	2 - 2ft 4 - 4ft 8 - 8ft C - Custom	SI - Silver BK - Black ¹ WH - White ¹	FTD - Flat Diffuser FTO - Flat Opal ¹ FTT - Flat Transparent ¹ FTB - Flat Black ¹	INS - Installed SEP - Separated CHANNEL ASB - Assembled SEP - Separated



1 Consult factory for colors and optical lenses options.

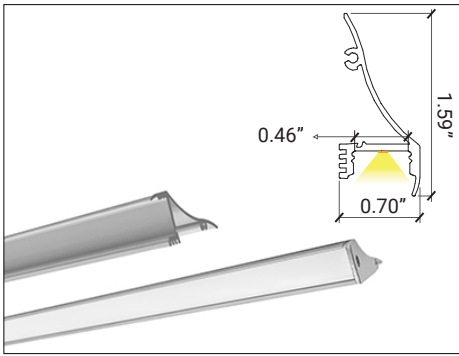


LP-MDC-PR-050/ Wall Mount

SERIES	EXT. LENGTH	FINISH	OPTICAL LENS	TAPE LIGHT
LP-MDC-PR-050	2 - 2ft 4 - 4ft 8 - 8ft C - Custom	SI - Silver BK - Black ¹ WH - White ¹	FTD - Flat Diffuser FTO - Flat Opal ¹ FTT - Flat Transparent ¹ FTB - Flat Black ¹	INS - Installed SEP - Separated

CHANNEL

ASB - Assembled
SEP - Separated

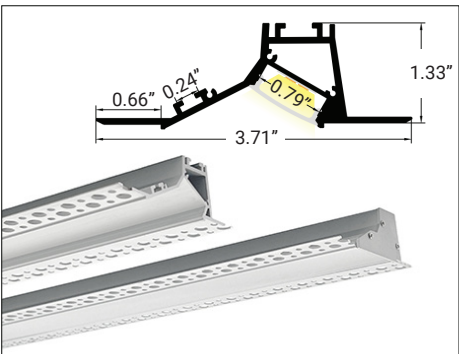


LP-MDC-WM-CM-050/ Wall Mount

SERIES	EXT. LENGTH	FINISH	OPTICAL LENS	TAPE LIGHT
LP-MDC-WM-CM-050	2 - 2ft 4 - 4ft 8 - 8ft C - Custom	SI - Silver BK - Black ¹ WH - White ¹	FTD - Flat Diffuser FTO - Flat Opal ¹ FTT - Flat Transparent ¹ FTB - Flat Black ¹	INS - Installed SEP - Separated

CHANNEL

ASB - Assembled
SEP - Separated

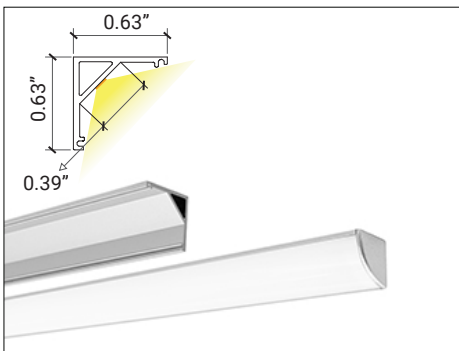


LP-MDC-WW-RTL-075/ Wall Washer

SERIES	EXT. LENGTH	FINISH	OPTICAL LENS	TAPE LIGHT
LP-MDC-WW-RTL-075	2 - 2ft 4 - 4ft 8 - 8ft C - Custom	SI - Silver BK - Black ¹ WH - White ¹	FTD - Flat Diffuser FTO - Flat Opal ¹ FTT - Flat Transparent ¹ FTB - Flat Black ¹	INS - Installed SEP - Separated

CHANNEL

ASB - Assembled
SEP - Separated



LP-LGC-S90-050/ Surface Corner

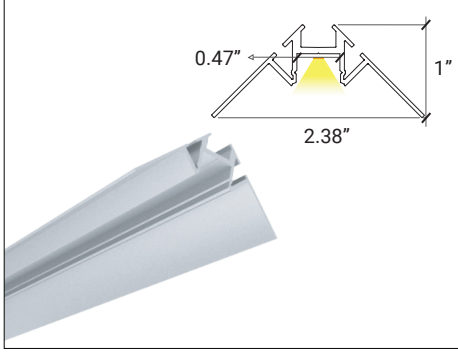
SERIES	EXT. LENGTH	FINISH	OPTICAL LENS	TAPE LIGHT
LP-LGC-S90-050	2 - 2ft 4 - 4ft 8 - 8ft C - Custom	SI - Silver BK - Black ¹ WH - White ¹	90D - 90° Diffuser 90O - 90° Opal ¹ 90T - 90° Transparent ¹ 90B - 90° Black ¹ COD - Corner Diffuser COP - Corner Opal ¹ COT - Corner Transparent ¹ COB - Corner Black ¹	INS - Installed SEP - Separated

CHANNEL

ASB - Assembled
SEP - Separated

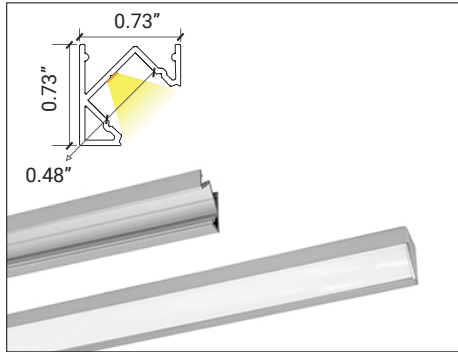


1 Consult factory for colors and optical lenses options.



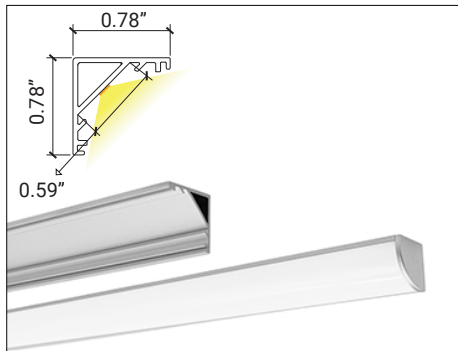
LP-MDC-TLC-050/ Trimless Corner

SERIES	EXT. LENGTH	FINISH	OPTICAL LENS	TAPE LIGHT
LP-MDC-TLC-050	2 - 2ft 4 - 4ft 8 - 8ft C - Custom	SI - Silver BK - Black ¹ WH - White ¹	FTD - Flat Diffuser FTO - Flat Opal ¹ FTT - Flat Transparent ¹ FTB - Flat Black ¹	INS - Installed SEP - Separated CHANNEL ASB - Assembled SEP - Separated



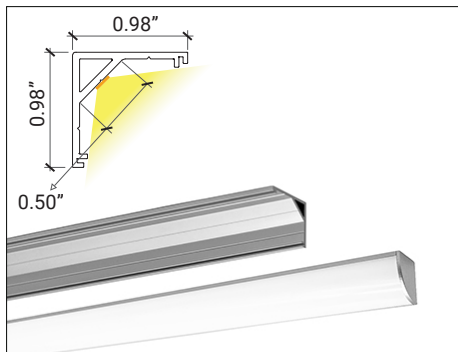
LP-MDC-S90-075/ Surface Corner

SERIES	EXT. LENGTH	FINISH	OPTICAL LENS	TAPE LIGHT
LP-MDC-S90-075	2 - 2ft 4 - 4ft 8 - 8ft C - Custom	SI - Silver BK - Black ¹ WH - White ¹	FTD - Flat Diffuser FTO - Flat Opal ¹ FTT - Flat Transparent ¹ FTB - Flat Black ¹	INS - Installed SEP - Separated CHANNEL ASB - Assembled SEP - Separated



LP-LGC-S90-075/ Surface Corner

SERIES	EXT. LENGTH	FINISH	OPTICAL LENS	TAPE LIGHT
LP-LGC-S90-075	2 - 2ft 4 - 4ft 8 - 8ft C - Custom	SI - Silver BK - Black ¹ WH - White ¹	90D - 90° Diffuser 90O - 90° Opal ¹ 90T - 90° Transparent ¹ 90B - 90° Black ¹ COD - Corner Diffuser COP - Corner Opal ¹ COT - Corner Transparent ¹ COB - Corner Black ¹	INS - Installed SEP - Separated CHANNEL ASB - Assembled SEP - Separated

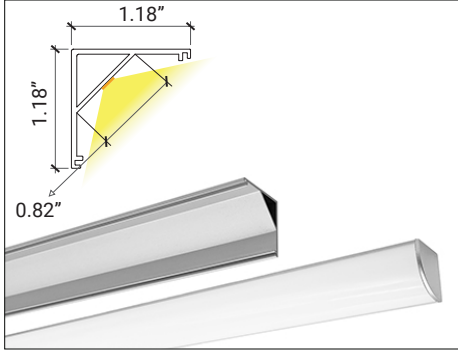


LP-LGC-S90-1/ Surface Corner

SERIES	EXT. LENGTH	FINISH	OPTICAL LENS	TAPE LIGHT
LP-LGC-S90-1	2 - 2ft 4 - 4ft 8 - 8ft C - Custom	SI - Silver BK - Black ¹ WH - White ¹	90D - 90° Diffuser 90O - 90° Opal ¹ 90T - 90° Transparent ¹ 90B - 90° Black ¹ COD - Corner Diffuser COP - Corner Opal ¹ COT - Corner Transparent ¹ COB - Corner Black ¹	INS - Installed SEP - Separated CHANNEL ASB - Assembled SEP - Separated

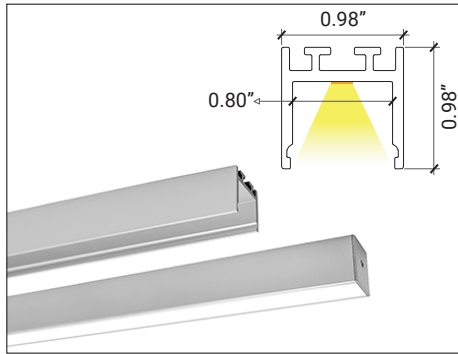


1 Consult factory for colors and optical lenses options.



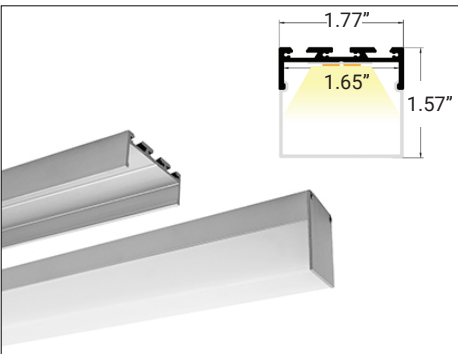
LP-LGC-S90-2/ Surface Corner

SERIES	EXT. LENGTH	FINISH	OPTICAL LENS	TAPE LIGHT
LP-LGC-S90-2	2 - 2ft 4 - 4ft 8 - 8ft C - Custom	SI - Silver BK - Black ¹ WH - White ¹	90D - 90° Diffuser 90O - 90° Opal ¹ 90T - 90° Transparent ¹ 90B - 90° Black ¹ COD - Corner Diffuser COP - Corner Opal ¹ COT - Corner Transparent ¹ COB - Corner Black ¹	INS - Installed SEP - Separated CHANNEL ASB - Assembled SEP - Separated



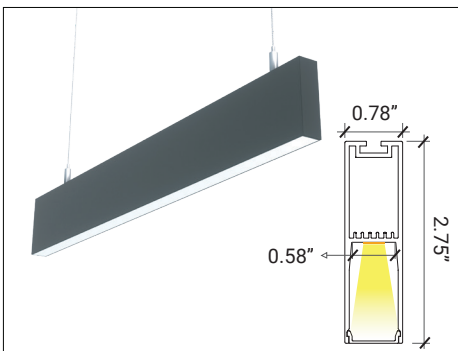
LP-MDC-SPD-1/ Suspended

SERIES	EXT. LENGTH	FINISH	OPTICAL LENS	CLIP	TAPE LIGHT
LP-MDC-SPD-1	2 - 2ft 4 - 4ft 8 - 8ft C - Custom	SI - Silver BK - Black ¹ WH - White ¹	FTD - Flat Diffuser FTO - Flat Opal ¹ FTT - Flat Transparent ¹ FTB - Flat Black ¹	PC - Pendant Cable SC - Surface Clip	INS - Installed SEP - Separated CHANNEL ASB - Assembled SEP - Separated



LP-SHC-SPD-2/ Suspended

SERIES	EXT. LENGTH	FINISH	OPTICAL LENS	TAPE LIGHT
LP-SHC-SPD-2	2 - 2ft 4 - 4ft 8 - 8ft C - Custom	SI - Silver BK - Black ¹ WH - White ¹	FTD - Flat Diffuser FTO - Flat Opal ¹ FTT - Flat Transparent ¹ FTB - Flat Black ¹ 90D - 90° Diffuser 90O - 90° Opal ¹ 90T - 90° Transparent ¹ 90B - 90° Black ¹ TRD - Triangular Diffuser TRO - Triangular Opal ¹ TRT - Triangular Transparent ¹ TRB - Triangular Black ¹	INS - Installed SEP - Separated CHANNEL ASB - Assembled SEP - Separated

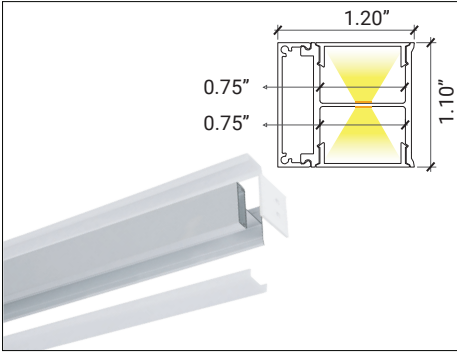


LP-MDC-SPD-2/ Suspended

SERIES	EXT. LENGTH	FINISH	OPTICAL LENS	TAPE LIGHT
LP-MDC-SPD-2	2 - 2ft 4 - 4ft 8 - 8ft C - Custom	BK - Black WH - White	FTD - Flat Diffuser FTO - Flat Opal ¹ FTT - Flat Transparent ¹ FTB - Flat Black ¹	INS - Installed SEP - Separated CHANNEL ASB - Assembled SEP - Separated

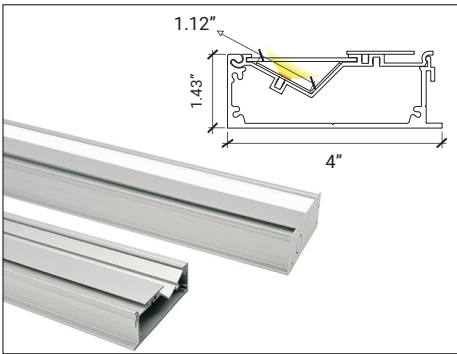


1 Consult factory for colors and optical lenses options.



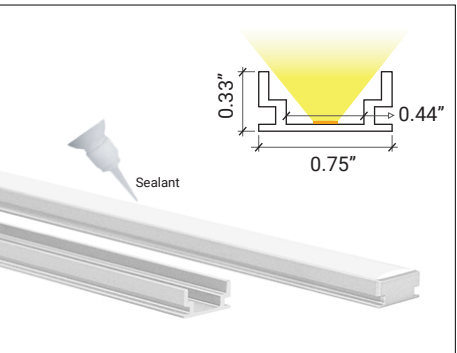
LP-MDC-WM-DI-1 Surface / Up & Down Light

SERIES	EXT. LENGTH	FINISH	OPTICAL LENS	TAPE LIGHT
LP-MDC-WM-DI-1	2 - 2ft 4 - 4ft 8 - 8ft C - Custom	SI - Silver BK - Black ¹ WH - White ¹	FTD - Flat Diffuser FTO - Flat Opal ¹ FTT - Flat Transparent ¹ FTB - Flat Black ¹	INS - Installed SEP - Separated
				CHANNEL
				ASB - Assembled SEP - Separated



LP-MDC-WW-RTL-2 Cove

SERIES	EXT. LENGTH	FINISH	OPTICAL LENS	TAPE LIGHT
LP-MDC-WW-RTL-2	2 - 2ft 4 - 4ft 8 - 8ft C - Custom	SI - Silver BK - Black ¹ WH - White ¹	FTD - Flat Diffuser FTO - Flat Opal ¹ FTT - Flat Transparent ¹	INS - Installed SEP - Separated
				CHANNEL
				ASB - Assembled SEP - Separated



LP-LGC-FL-025 Recessed Floor

SERIES	EXT. LENGTH	FINISH	OPTICAL LENS	TAPE LIGHT
LP-LGC-FL-025	2 - 2ft 4 - 4ft 8 - 8ft C - Custom	SI - Silver BK - Black ¹ WH - White ¹	FTD - Flat Diffuser FTO - Flat Opal ¹ FTT - Flat Transparent ¹ FTB - Flat Black ¹	INS - Installed SEP - Separated
				CHANNEL
				ASB - Assembled SEP - Separated

RGB / Wall Controller RF

Power Supply



ED-96W-24V-TRIAC-DIM10



ED-192W-24V-TRIAC-DIM10



ED-288W-24V-TRIAC-DIM10

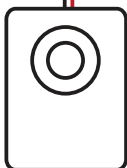
LED Receiver

LB-1009EAWi

Input Voltage	12-36 VDC
Output Current	4x8A
Output Power	4X(96-288)W
Dimensions	6.6"X2.3"X1.1"



LB-1009EAWi



Wall Control

WALL CONTROLLER

LB-2820US

Output Signal	RF Signal
Power Supply	12-24 DC

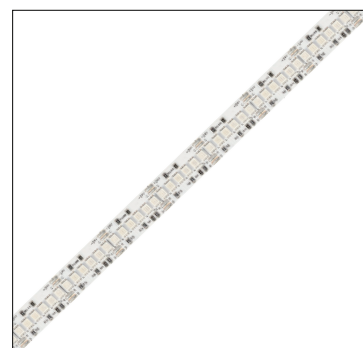


LED25W-24 (Power Supply)
(Optional for wall controller)



Control 1 zone.

LED Tape Light



LB4000-RGB

RGB / Remote Controller RF

Power Supply



ED-96W-24V-TRIAC-DIM10



ED-192W-24V-TRIAC-DIM10



ED-288W-24V-TRIAC-DIM10

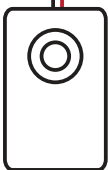
LED Receiver

LB-1009EAWi

Input Voltage	12-36 VDC
Output Current	4x8A
Output Power	4X(96-288)W
Dimensions	6.6"X2.3"X1.1"



LB-1009EAWi



Remote Control

REMOTE CONTROLLER

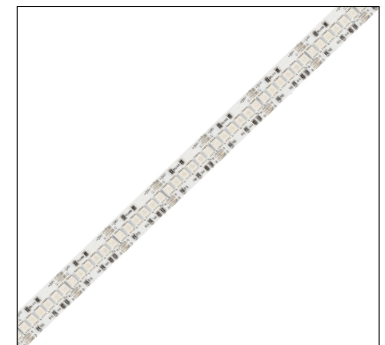
LB-2819S

Output Signal	RF Signal
Power Supply	3XAAA battery)



Control 4 zones.

LED Tape Light



LB4000-RGB

RGB / Wall Dimmer Controller RF

Power Supply



ED-96W-24V-TRIAC-DIM10



ED-192W-24V-TRIAC-DIM10



ED-288W-24V-TRIAC-DIM10

LED Receiver

LB-1009EAWi

Input Voltage	12-36 VDC
Output Current	4x8A
Output Power	4X(96-288)W
Dimensions	6.6"X2.3"X1.1"

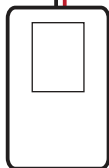


LB-1009EAWi

WALL DIMMER CONTROLLER

LB-2833N-K5-RGBW

Output Signal	RF Signal
Power Supply	3V (CR2032 battery)

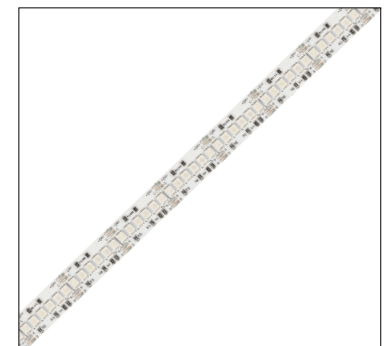


Wall Control



Control 1 zone.

LED Tape Light



LB4000-RGB

RGB / DMX Wired

Power Supply



ED-96W-24V-TRIAC-DIM10



ED-192W-24V-TRIAC-DIM10



ED-288W-24V-TRIAC-DIM10



ED-384W-24V-TRIAC-DIM10

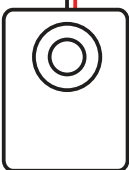
DMX Decoder

LB-2108B-M6-3

Input Voltage	12-24 VDC
Output Current	6x6A
Output Power	6x(72-144)W
Dimensions	7.3"X3.3"X1.6"



LB-2108B-M6-3



Wall Control

WALL CONTROLLER

LB-2812-Wi

Output Signal	DMX + WiFi Signal
Power Supply	12-24 VDC

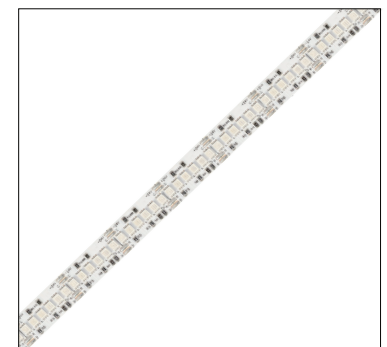


LED25W-24 (Power Supply)
(Optional for wall controller)



Control 3 zones.

LED Tape Light



LB4000-RGB

RGB / DMX WiFi

Power Supply



ED-96W-24V-TRIAC-DIM10



ED-192W-24V-TRIAC-DIM10



ED-288W-24V-TRIAC-DIM10



ED-384W-24V-TRIAC-DIM10

DMX Decoder

LB-2108B-M6-3

Input Voltage	12-24 VDC
Output Current	6x6A
Output Power	6x(72-144)W
Dimensions	7.3"X3.3"X1.6"



LB-2108B-M6-3

Converter

LB-2817DMX

Output Signal	DMX512 Signal
Voltage	120 VAC
Operating Temperature	0-40°C / 32°F-104°F
Dimensions	7"X1.8"X0.8"

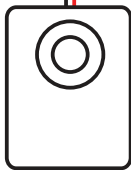


LB-2817DMX

WALL CONTROLLER

LB-2812-Wi

Output Signal	DMX + WiFi Signal
Power Supply	12-24 VDC



Wall Control

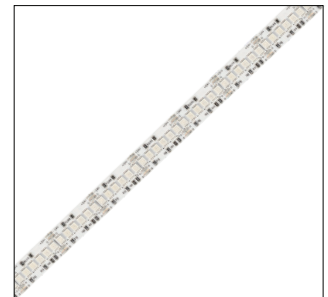


LED25W-24 (Power Supply)
(Optional for wall controller)



Control 3 zones.

LED Tape Light



LB4000-RGB

RGB / ELDOLED AC to DC - DMX WiFi

Power Supply

LIN100M1

Control Protocol	DMX/DALI
Driver Type	Constant Voltage
Max. LED Output Power	100W
SIZE	14.57"X1.61"X1.18"



LIN100M1

DMX Converter

LB-2817DMX

Output Signal	DMX512 Signal
Voltage	120 VAC
Operating Temperature	0-40°C / 32°F-104°F
Dimensions	7"X1.8"X0.8"

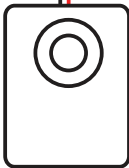


LB-2817DMX

WALL CONTROLLER

LB-2812-Wi

Output Signal	DMX + WiFi Signal
Power Supply	12-24 VDC



Wall Control

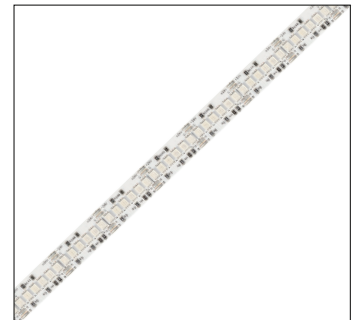


LED25W-24 (Power Supply)
(Optional for wall controller)



Control 3 zones.

LED Tape Light



LB4000-RGB

RGB / ELDOLED AC to DC - DMX Wired

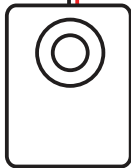
Power Supply

LIN100M1

Control Protocol	DMX/DALI
Driver Type	Constant Voltage
Max. LED Output Power	100W
SIZE	14.57"X1.61"X1.18"



LIN100M1



Wall Control

WALL CONTROLLER

LB-2812-Wi

Output Signal	DMX + WiFi Signal
Power Supply	12-24 VDC

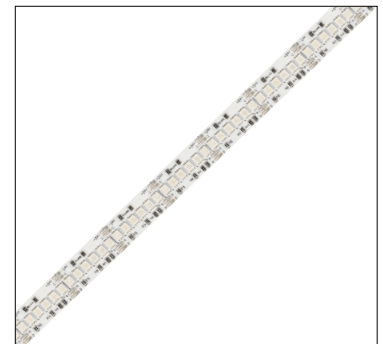


LED25W-24 (Power Supply)
(Optional for wall controller)



Control 3 zones.

LED Tape Light



LB4000-RGB

RGB / AC to DC DMX WiFi

Power Supply

LB-2108-24-96CVF-UL

Input Voltage	120-277 VAC
LED Channels	4
Frequency Range	50/60Hz
DC Voltage	24V DC
Dimensions	9.6"X2.5"X1.2"



LB-2108-24-96CVF-UL

Converter

LB-2817DMX

Output Signal	DMX512 Signal
Voltage	120 VAC
Operating Temperature	0-40°C / 32°F-104°F
Dimensions	7"X1.8"X0.8"

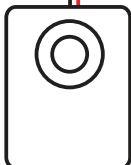


LB-2817DMX

WALL CONTROLLER

LB-2812-Wi

Output Signal	DMX + WiFi Signal
Power Supply	12-24 VDC



Wall Control

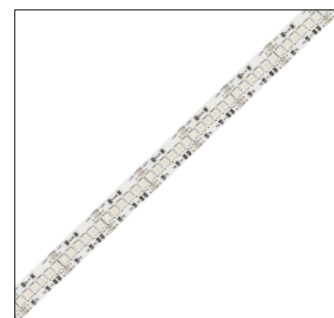


LED25W-24 (Power Supply)
(Optional for wall controller)



Control 3 zones.

LED Tape Light



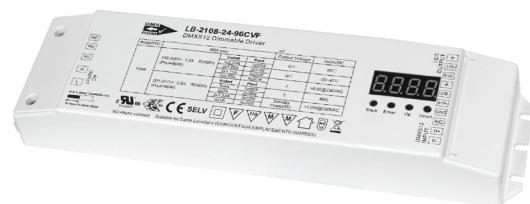
LB4000-RGB

RGB / AC to DC - DMX Wired

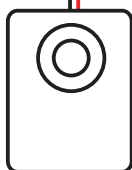
Power Supply

LB-2108-24-96CVF-UL

Input Voltage	120-277 VAC
LED Channels	4
Frequency Range	50/60Hz
DC Voltage	24V DC
Dimensions	9.6"X2.5"X1.2"



LB-2108-24-96CVF-UL



Wall Control

WALL CONTROLLER

LB-2812-Wi

Output Signal	DMX + WiFi Signal
Power Supply	12-24 VDC

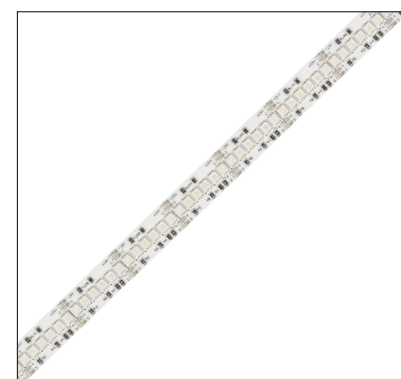


LED25W-24 (Power Supply)
(Optional for wall controller)



Control 3 zones.

LED Tape Light



LB4000-RGB



LB-2812Wi RGBW DMX512+WiFi Controller

- DMX signal output, complies with standard protocol DMX512(1990), and compatible with DMX decoders from any other suppliers.
- Control 3 zones synchronously and separately.
- Ultra sensitive high strength glass touch panel with touch color wheel.
- Smooth and accurate color tone adjustment by touching the color wheel.
- Independent brightness adjustment of each RGBW channel to achieve millions of colors.
- Works with WiFi using the "Easylighting" App on iOS and Android systems.

Compatible with: **LB-1009EAWI - LB2817DMX - LB2108B-M6-3 - LB-2108-24-96CVF-UL - LinearDrive 100/M.**

TECHNICAL DETAILS

Output Signal	DMX512+WiFi Signal
Power Supply	12-24 VDC
Power Consumption	<20 mA
Operating Temperature	0-40°C / 32°F-104°F
Dimensions	4.7"X2.9"X1.1"
Color	White

Certifications	FCC / RoHS
Zones	3
Indoor	IP20
Surface	Glass
Control	RGBW color
Warranty	5-Years limited warranty



LB-2820US RGBW Controller

- Touch sensitive.
- Glass interface.
- Compatible with all universal series RF receivers.
- Control RGBW color.
- Control 1 zone/area.

Compatible with: **LB2817DMX - LB2108B-M6-3 - LB-1009EAWI - LinearDrive 100/M.**

TECHNICAL DETAILS

Output Signal	RF Signal
Power Supply	12-24 DC
Power Consumption	< 15 mA
Operating Temperature	0-40°C / 32°F-104°F
Dimensions	2.9"X4.7"X1"
Frequency	916.5MHz
Color	White

Certifications	FCC / RoHS
Zones	1
Indoor	IP20
Surface	Glass
Channels	RGBW
Warranty	5-Years limited warranty



LB-2819S RGBW Remote Controller

- User friendly interface, easy and simple operation.
- Operation return function.
- Control up to 4 zones; each zone can be set with endless receivers. Each receiver can be controlled by a maximum of 8 different remotes.
- Set 3 scenes in each zone.
- Preset 10 changing modes with a pause function.
- One receiver can be paired with a maximum of 8 different remote controls.
- Enable dimming of the brightness for each R, G, B, W channel, allowing the mixing of millions of colors.
- Receivers can work with the WiFi-RF converter using the "Easylighting" app on IOS and Android systems.

Compatible with: **LB2817DMX - LB2108B-M6-3 - LB-1009EAWI.**

TECHNICAL DETAILS

Output Signal	RF Signal
Power Supply	4.5V (3xAAA battery)
Operating Temperature	0-40°C / 32°F-104°F
Dimensions	4.7"X2"X0.66"
Color	Black

Certifications	FCC / RoHS
Zones	Control 4 Zones of RF receivers separately
Frequency	434MHz/869.5MHz/916.5MHz
Rated	IP20
Warranty	5-Years limited warranty



LB-2833N-K5-RGBW RF RGBW Dimmer

RF wireless RGBW Remote can control **1 zone of receiver**. This RGBW color controller is compatible with all universal series RF receivers. One receiver can be paired with a **maximum of 8 remote controllers**. This device contains a button lithium battery that should be stored and disposed of properly. **DO NOT expose the device to moisture.**

Output Signal	RF Signal
Power Supply	3V (CR2032 battery)
Operating Temperature	0-40°C / 32°F-104°F
Dimensions	2.5"X1.2"X0.35"
Zones	Control 1 Zone of receiver
Frequency	916.5MHz
Rated	IP20
Warranty	5-Years limited warranty

Compatible with: **LB-2817DMX - LB1009EAWI - LB2108B-M6-3.**



LED25W-24 (Power Supply) Optional for Wall Controller

Total Power: 25 Watts
 Input Voltage: 100-277 VAC
 UL Dry & Damp Location Rated
 IP66
 High Efficiency
 High Power Factor
 Analog Dimming (0-10V)
 Black Magic Thermal Advantage, Plastic Housing

Compatible with: **LB-2820US - LB2812Wi - LB2817DMX.**



LB-2108B-M6-3 DMX512 & RDM Decoder

The **LB-2108B-M6-3** is an Ultra-Pro 6CH RDM DMX512 decoder equipped with master and decoder modes and RDM functionality. Encased in a metal housing and featuring a digital display, it can directly display data and easily set and show DMX addresses.

This device offers multiple types of DMX input/output ports, including RJ45, XLR, and standard screws. It provides a total of 6 PWM output channels, all with common anode configuration. The **DMX channel quantity can be configured as either 1CH or 6CH, and the PWM output resolution ratio can be set to 8-bit or 16-bit.** With adjustable decoding modes, the output PWM frequency ranges from 500Hz to 35KHz, and the output dimming curve gamma value can be adjusted from 0.1 to 9.9.

TECHNICAL DETAILS

Input Voltage	12-24 VDC
Output Current	6x6A
Output Power	6x(72-144)W
Dimensions	7.3"X3.3"X1.6"

Output PWM Frequency	500HZ - 35K HZ settable
Certifications	FCC / RoHS
Color	Black
Warranty	5-Years limited warranty



LB-1009EAWI RF+WiFi Receiver/LED Controller 4Channels

The RGBW controller LB-1009EAWI is a 12-36 VDC constant voltage RF and WiFi controller with 4 channel output, offering 8A per channel. It is compatible with a variety of RF remotes and apps installed on iOS and Android systems, enabling control of single-color, dual-color LEDs, and RGBW LEDs.

Multiple zones can be controlled separately or synchronously with endless receivers in each zone. Built-in changing patterns are available and can be saved to each zone. The brightness of each R, G, B, W channel can be adjusted separately to achieve millions of changing colors.

Thanks to the built-in WiFi to RF module, a significant advantage of this WiFi controller is its compatibility with RF remotes and apps on iOS and Android systems directly, without the need for a WiFi-RF converter.

A free app is available (EasyLighting) from the App Store and Google Play. Simply download it on your iOS or Android device, then search and connect your mobile device WLAN to the WiFi controller network.

TECHNICAL DETAILS

Input Voltage	12-36 VDC
Output Current	4x8A
Output Power	4x(96-288)W
Dimensions	6.6"X2.3"X1.1"

Frequency	869.5/916.5/434mhz
Certifications	FCC / RoHS
Color	White
Warranty	5-Years limited warranty



LB-2817DMX DMX Converter

The **LB-2817DMX master** is a controller that receives RF or WiFi wireless signals from remote controllers, iOS, or Android mobile devices, and sends out **DMX512 signals** to **DMX decoders**, enabling remote or WiFi control of DMX controllers.

The master converts RF or WiFi signals to DMX signals, enabling wireless control. Easier and more convenient control can be achieved by pairing this RF and WiFi to DMX master with the **RF remote or WiFi controller LB2819S, iOS, and Android devices**.

- Control up to 8 zones.
- Set 8 scenes at each zone.
- Preset 10 changing modes, with pause function.
- Control synchronously after installing app on iPhone, iPad and android.
- Memory function to remember the last color/scene
- Enable dimming of the brightness for each R, G, B, W channel, allowing the mixing of millions of colors

TECHNICAL DETAILS

Output Signal	DMX512 Signal
Voltage	120 VAC
Operating Temperature	0-40°C / 32°F-104°F
Dimensions	7"X1.8"X0.8"

Certifications	FCC / RoHS
Color	White
Warranty	5 Years limited warranty



LB-2108-24-96CVF-UL DMX512 Dimmable Driver

The LB-2108-24-96CVF is a UL, ENEC, and TUV approved RDM-enabled DMX 96W dimmable LED driver with 4 channels of 24VDC constant voltage output and a 100-277VAC universal input. The driver boasts a power factor of over 0.9 and efficiency exceeding 90%, ensuring smooth and deep dimming down to 0.1% without flickering or buzzing noise.

It supports DMX channel quantities of 1/2/3/4, configurable via buttons, allowing control of single-color, tunable white, and RGB/RGBW LED lighting. DMX addresses can be manually assigned using the buttons and displayed on the digital display. Compliant with DMX512(2008), DMX512-A, and RDM V1.0 (E1.20 - 2006 ESTA Standard) protocols, this DMX driver is compatible with universal DMX consoles, and its UL, ENEC, and TUV certification ensures high safety performance for worldwide use.

Various features can be configured via the visible numeric digital display and buttons, including DMX address, DMX channel quantity, PWM output resolution (8-bit or 16-bit), PWM output frequency (adjustable from 500Hz to ultra-high 30kHz, ideal for professional film lighting), GAMMA ray dimming curve value (adjustable from 0.1-9.9, with optional logarithmic and linear dimming), and DMX decoding modes (optional, with default mode set to dp1.1).

TECHNICAL DETAILS

Input Voltage	120 VAC
LED Channels	4
Frequency Range	50/60Hz
DC Voltage	24V DC
Dimensions	9.6"X2.5"X1.2"

Rated Power	Max. 96W (no minimum load required)
Certifications	FCC / RoHS
Color	White
Warranty	5 Years limited warranty



LIN100M1 DMX DRIVER

LINEARdrive gives you infinite color control for low-voltage LED applications, ranging from single color for accent and cove lighting to RGBW for full-color entertainment product solutions.

This constant voltage LED driver is DMX/DALI compatible and allows you to create your color or dynamic show without an external controller. Symbiosis ensures that the LED driver works seamlessly together with LED modules, controls, and intelligent luminaire elements.

TECHNICAL DETAILS

Output Voltage	12-24 VDC
LED output current	2.8A absolute maximum rating per output
Nominal input voltage range AC	120-250V (ENEC), 120-277V (UL)
Nominal input voltage DC	120-275V

Control Protocol	DMX/DALI
Driver Type	Constant Voltage
Max. LED Output Power	100W
SIZE	14.57"X1.61"X1.18"