

LB3000-TWH Series
Tunable White COB Strip Light
195 LEDs/FT
Width / 0.39" / 10mm



FEATURES

Illuminate your space with versatility using the COB dot free **LB3000-TWH tunable white Lumi-PRO Strip light**, a lighting solution from Elite Lighting. This innovative strip, when coupled with Elite Lighting's decoders and controllers, offers control over ambiance and atmosphere.

With the **ELDO LED Linear drive option**, performance is optimized, ensuring a **tunable, dot-free lighting experience**. The LB3000-TWH boasts a wide tunable range from 6500K to 2700K, allowing for precise adjustment to suit any environment or mood. Whether you desire warm, **inviting tones or cool, energizing hues**, this **dynamic lighting system delivers** unmatched flexibility and quality. Elevate your space with the LB3000-TWH.

Max run up to 8ft
Indoor/Damp Location (IP22)

90+ CRI

Field cuttable every 1.97"

Warranty: 5 years limited warranty

Color Temp. 6.1 W/ft.

2700K	220lm/ft
6500K	310lm/ft
6500K/2700K	520lm/ft

WIRING ACCESSORIES (Tape light comes with a 4ft standard length soldered lead attached on one side, along with an accessory kit)

TW10-3C
(3 Pieces PlIncluded)



Power Connector
4" Length

JP10-3C
(3 Pieces PlIncluded)



Tape to Tape Jumper
4" Length

SL-3 (Standard SL Attached)



Soldered Lead
4ft standard length
(custom length sizes available)

JPSL-3 (Optional)



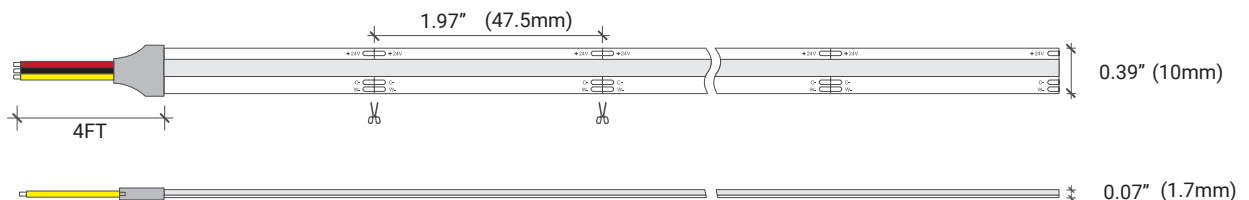
Soldered Jumper
6" L jumper
(custom length sizes available)

TECHNICAL DETAILS

Power	6.1W/FT
Voltage	24V
CRI	90+
LPW	85 lm/W
LED Qty	195/FT
Max Run(ft)	8FT
Cutting Length	Every 1.97"
Dimensions	W0.39" X H0.07"
Working Temp.	-4F / +122F

Experience **unparalleled** performance with our precision-engineered, high-quality **Lumi-PRO LB3000-TWH LED Strip Light**, meticulously designed to meet the demands of the **most challenging applications**.

DIMENSIONS



It Can be ordered in 3 different ways.




1. Everything will be shipped separately

- RL**
- Tape light, extrusion, cover, mountig clips, end caps and tape light accessory kit.



- Everything will be cut and shipped to your desired length.

Accessory KIT Includes

P/N	DESCRIPTION	QTY
TW10-3C	 4" Length Tape-to-Wire Connector, 10mm, 3 pole.	3ea
JP10-3C	 4" Length Jumper Wire.	3ea
Lead Wire	 4ft Lead wire jacketed white.	3ea

2. Pre-assembled and shipped separately as two units

- PA**
- Tape light, cover, extrusion and accessories will be cut and shipped to your desired length.
 - Wiring accessories will be attached to the tape light.
 - Cover, end caps and clips will be assembled to the channel.



Wiring accessories attached to the tape light.



Channel will be cut and assembled to your desired length.

3. Fully assembled and shipped as a single unit

- FA**
- Tape light, cover, extrusion and accessories will be cut and shipped to your desired length.
 - Wiring accessories will be attached to the tape light.
 - Tape light will be installed into the channel and ready to use.



Refer to the next page for COMPATIBLE channels.

ORDERING SELECTION

Example: LB3000-6.1W-16F-TWH-65K-27K-24V

SERIES	WATTAGE	LENGTH	TECHNOLOGY	VOLTAGE	WIRING ACCESSORIES	CHANNEL	DRIVER
LB3000	6.1W - 6.1W/ft	16F - 16ft Roll C - Custom (Cutting length every 1.97")	TWH-65K-27K - TWH/6500K-2700K	24V - 24V	TW10-3C - Tape to Wire Connector JP10-3C - Tape to Tape Jumper SL-3 - Soldered Lead (custom length sizes available) JPSL-3 - Soldered Jumper (custom length sizes available) KIT-ACC-LB3000-TWH - Accessory Kit	Refer to the next page for available options.	Refer to the next pages for available options.

CONTROLLERS

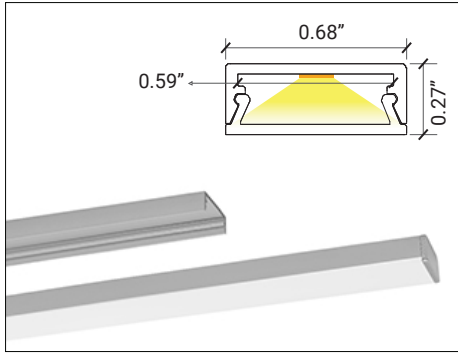
SHIPPING OPTIONS

- LB-2830B - RF Wall Controller
- LB-2834-CCT - Wall Controller
- LB-2830BDMX - DMX Wall Controller
- LB-2819SCCT - RF Remote Controller
- LB-2833N-K5-CCT - RF Wall Dimmer
- LED25W-24 - Power Supply
- LB-1009EWI-5CH - RF+WiFi Receiver
- LB-2108-24-96CVF-UL - DMX Decoder Wired
- LB-2108B-M6-5 - DMX Decoder Wired
- LIN100M1 - Eldo LED Driver
- DD-24V-90W-N - Dim-tone Driver

- RL - Rolls 16ft
- PA - Pre-Assembled
- FA - Fully Assembled

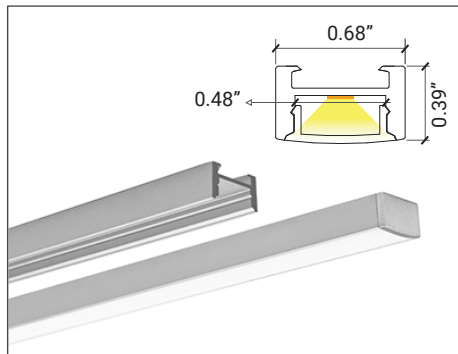


1 Consult factory for colors and optical lenses options.



LP-SHC-CM-075/ Surface

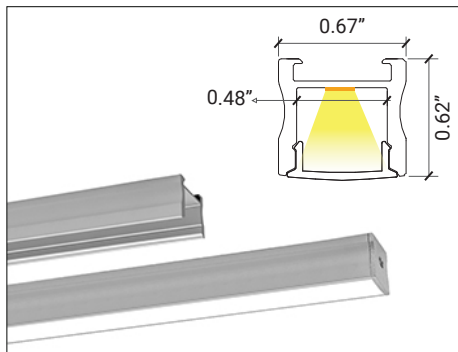
SERIES	EXT. LENGTH	FINISH	OPTICAL LENS	TAPE LIGHT
LP-SHC-CM-075	2 - 2ft 4 - 4ft 8 - 8ft C - Custom	SI - Silver BK - Black WH - White	FTD - Flat Diffuser FTO - Flat Opal ¹ FTT - Flat Transparent ¹ FTB - Flat Black ¹	RL - Rolls PA - Pre-Assembled FA - Fully Assembled



LP-MDC-CM-075/ Surface

Accessories Available, please refer to the channel spec sheet.

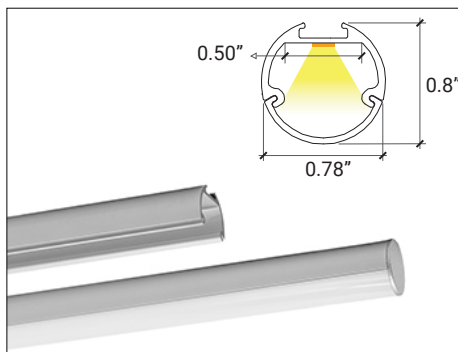
SERIES	EXT. LENGTH	FINISH	OPTICAL LENS	CLIP	TAPE LIGHT
LP-MDC-CM-075	2 - 2ft 4 - 4ft 8 - 8ft C - Custom	SI - Silver BK - Black WH - White	FTD - Flat Diffuser FTO - Flat Opal ¹ FTT - Flat Transparent ¹ FTB - Flat Black ¹	SC - Surface Clip MC - Magnetic Clip	RL - Rolls PA - Pre-Assembled FA - Fully Assembled



LP-LGC-CM-075/ Surface

Accessories Available, please refer to the channel spec sheet.

SERIES	EXT. LENGTH	FINISH	OPTICAL LENS	CLIP	TAPE LIGHT
LP-LGC-CM-075	2 - 2ft 4 - 4ft 8 - 8ft C - Custom	SI - Silver BK - Black WH - White	FTD - Flat Diffuser FTO - Flat Opal ¹ FTT - Flat Transparent ¹ FTB - Flat Black ¹	SC - Surface Clip MC - Magnetic Clip	RL - Rolls PA - Pre-Assembled FA - Fully Assembled

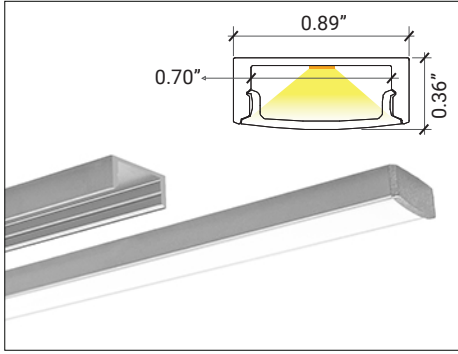


LP-SHC-SC-MG-075/ Surface

SERIES	EXT. LENGTH	FINISH	OPTICAL LENS	CLIP	TAPE LIGHT
LP-SHC-SC-MG-075	2 - 2ft 4 - 4ft 8 - 8ft C - Custom	SI - Silver BK - Black WH - White	RDD - Rounded Diffuser RDO - Rounded Opal ¹ RDT - Rounded Transparent ¹ RDB - Rounded Black ¹	SC - Surface Clip MC - Magnetic Clip	RL - Rolls PA - Pre-Assembled FA - Fully Assembled

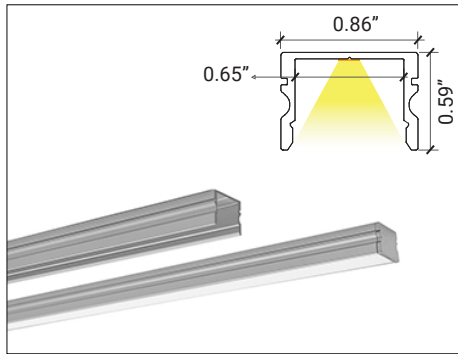


1 Consult factory for colors and optical lenses options.



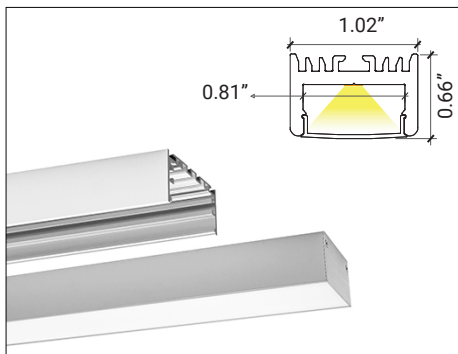
LP-SHC-CM-1/ Surface

SERIES	EXT. LENGTH	FINISH	OPTICAL LENS	TAPE LIGHT
LP-SHC-CM-1	2 - 2ft 4 - 4ft 8 - 8ft C - Custom	SI - Silver BK - Black WH - White	FTD - Flat Diffuser FTO - Flat Opal ¹ FTT - Flat Transparent ¹ FTB - Flat Black ¹	RL - Rolls PA - Pre-Assembled FA - Fully Assembled



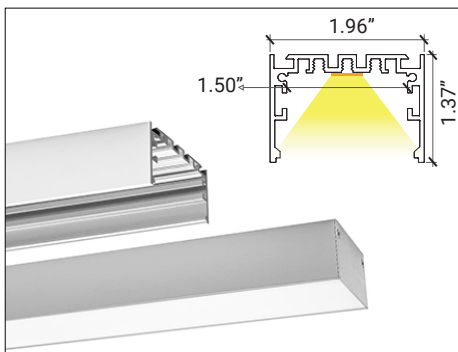
LP-MDC-CM-1/ Surface

SERIES	EXT. LENGTH	FINISH	OPTICAL LENS	TAPE LIGHT
LP-MDC-CM-1	2 - 2ft 4 - 4ft 8 - 8ft C - Custom	SI - Silver BK - Black WH - White	FTD - Flat Diffuser FTO - Flat Opal ¹ FTT - Flat Transparent ¹ FTB - Flat Black ¹	RL - Rolls PA - Pre-Assembled FA - Fully Assembled



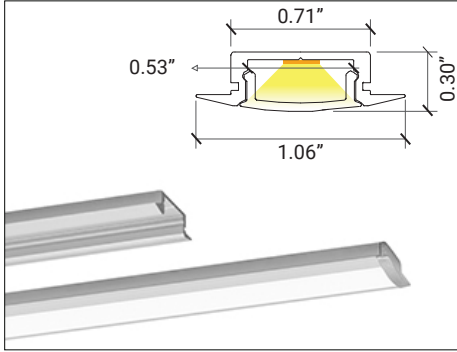
LP-LGC-CM-1/ Surface

SERIES	EXT. LENGTH	FINISH	OPTICAL LENS	TAPE LIGHT
LP-LGC-CM-1	2 - 2ft 4 - 4ft 8 - 8ft C - Custom	SI - Silver BK - Black WH - White	FTD - Flat Diffuser FTO - Flat Opal ¹ FTT - Flat Transparent ¹ FTB - Flat Black ¹	RL - Rolls PA - Pre-Assembled FA - Fully Assembled



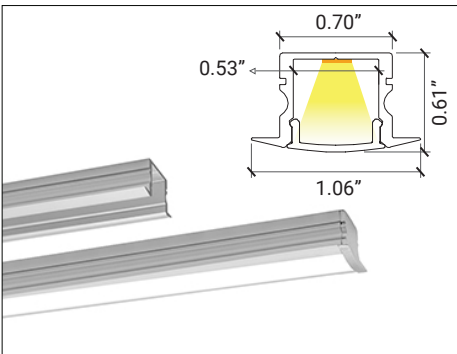
LP-LGC-CM-2/ Surface

SERIES	EXT. LENGTH	FINISH	OPTICAL LENS	TAPE LIGHT
LP-LGC-CM-2	2 - 2ft 4 - 4ft 8 - 8ft C - Custom	SI - Silver BK - Black WH - White	FTD - Flat Diffuser FTO - Flat Opal ¹ FTT - Flat Transparent ¹ FTB - Flat Black ¹	RL - Rolls PA - Pre-Assembled FA - Fully Assembled



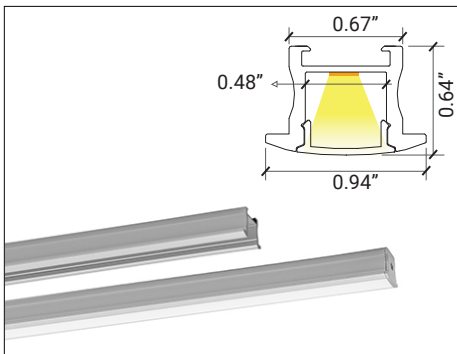
LP-SHC-RFT-075/ Recessed

SERIES	EXT. LENGTH	FINISH	OPTICAL LENS	TAPE LIGHT
LP-SHC-RFT-075	2 - 2ft 4 - 4ft 8 - 8ft C - Custom	SI - Silver BK - Black WH - White	FTD - Flat Diffuser FTO - Flat Opal ¹ FTT - Flat Transparent ¹ FTB - Flat Black ¹	RL - Rolls PA - Pre-Assembled FA - Fully Assembled



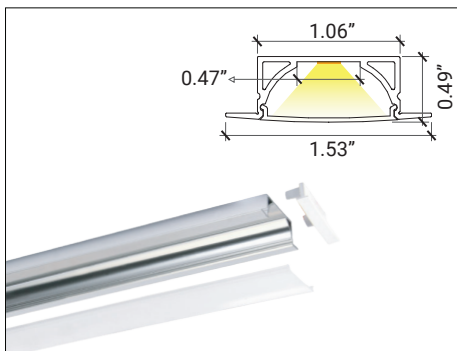
LP-MDC-RFT-075/ Recessed

SERIES	EXT. LENGTH	FINISH	OPTICAL LENS	TAPE LIGHT
LP-MDC-RFT-075	2 - 2ft 4 - 4ft 8 - 8ft C - Custom	SI - Silver BK - Black WH - White	FTD - Flat Diffuser FTO - Flat Opal ¹ FTT - Flat Transparent ¹ FTB - Flat Black ¹	RL - Rolls PA - Pre-Assembled FA - Fully Assembled



LP-LGC-RFT-075/ Recessed
Accessories Available, please refer to the channel spec sheet.

SERIES	EXT. LENGTH	FINISH	OPTICAL LENS	CLIP	TAPE LIGHT
LP-LGC-RFT-075	2 - 2ft 4 - 4ft 8 - 8ft C - Custom	SI - Silver BK - Black WH - White	FTD - Flat Diffuser FTO - Flat Opal ¹ FTT - Flat Transparent ¹ FTB - Flat Black ¹	SC - Surface Clip MC - Magnetic Clip	RL - Rolls PA - Pre-Assembled FA - Fully Assembled

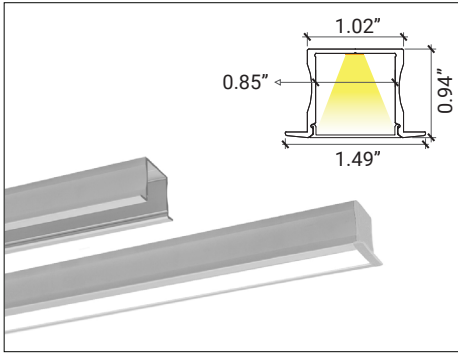


LP-SHC-RFT-1/ Recessed

SERIES	EXT. LENGTH	FINISH	OPTICAL LENS	TAPE LIGHT
LP-SHC-RFT-1	2 - 2ft 4 - 4ft 8 - 8ft C - Custom	SI - Silver BK - Black WH - White	FTD - Flat Diffuser FTO - Flat Opal ¹ FTT - Flat Transparent ¹ FTB - Flat Black ¹	RL - Rolls PA - Pre-Assembled FA - Fully Assembled

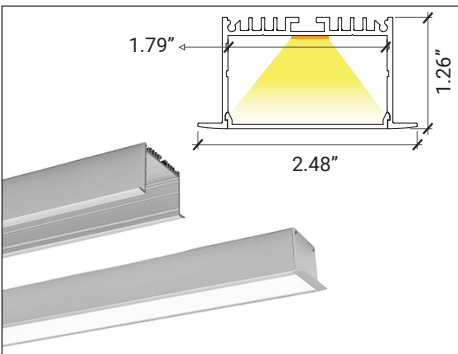


1 Consult factory for colors and optical lenses options.



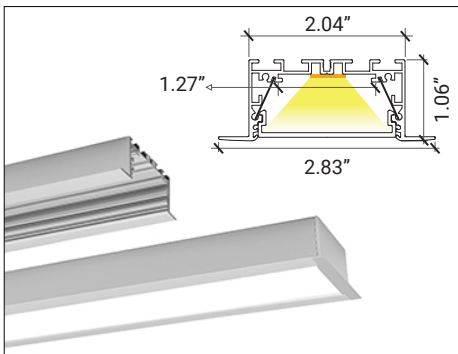
LP-LGC-RFT-1/ Recessed

SERIES	EXT. LENGTH	FINISH	OPTICAL LENS	TAPE LIGHT
LP-LGC-RFT-1	2 - 2ft 4 - 4ft 8 - 8ft C - Custom	SI - Silver BK - Black WH - White	FTD - Flat Diffuser FTO - Flat Opal ¹ FTT - Flat Transparent ¹ FTB - Flat Black ¹	RL - Rolls PA - Pre-Assembled FA - Fully Assembled



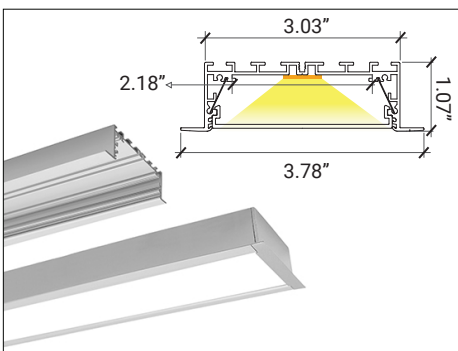
LP-SHC-RFT-2/ Recessed

SERIES	EXT. LENGTH	FINISH	OPTICAL LENS	TAPE LIGHT
LP-SHC-RFT-2	2 - 2ft 4 - 4ft 8 - 8ft C - Custom	SI - Silver BK - Black WH - White	FTD - Flat Diffuser FTO - Flat Opal ¹ FTT - Flat Transparent ¹ FTB - Flat Black ¹	RL - Rolls PA - Pre-Assembled FA - Fully Assembled



LP-MDC-RFT-2/ Recessed
Accessories Available, please refer to the channel spec sheet.

SERIES	EXT. LENGTH	FINISH	OPTICAL LENS	TAPE LIGHT
LP-MDC-RFT-2	2 - 2ft 4 - 4ft 8 - 8ft C - Custom	SI - Silver BK - Black WH - White	FTD - Flat Diffuser FTO - Flat Opal ¹ FTT - Flat Transparent ¹ FTB - Flat Black ¹	RL - Rolls PA - Pre-Assembled FA - Fully Assembled

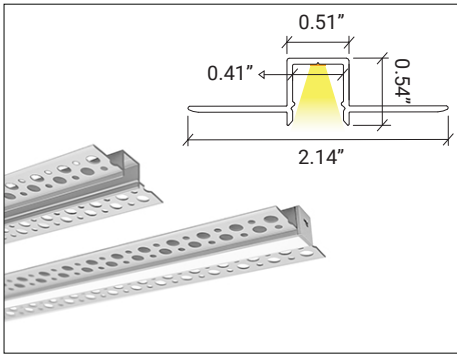


LP-LGC-RFT-2/ Recessed
Accessories Available, please refer to the channel spec sheet.

SERIES	EXT. LENGTH	FINISH	OPTICAL LENS	TAPE LIGHT
LP-LGC-RFT-2	2 - 2ft 4 - 4ft 8 - 8ft C - Custom	SI - Silver BK - Black WH - White	FTD - Flat Diffuser FTO - Flat Opal ¹ FTT - Flat Transparent ¹ FTB - Flat Black ¹	RL - Rolls PA - Pre-Assembled FA - Fully Assembled

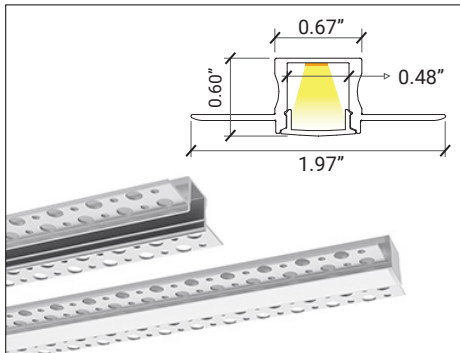


1 Consult factory for colors and optical lenses options.



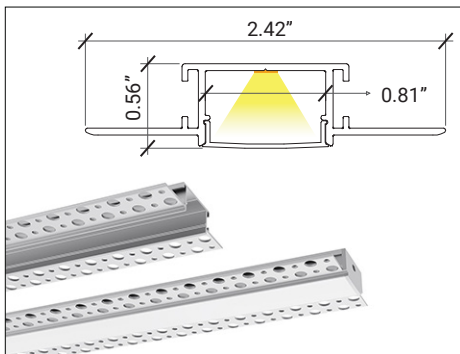
LP-LGC-RTL-050/ Trimless

SERIES	EXT. LENGTH	FINISH	OPTICAL LENS	TAPE LIGHT
LP-LGC-RTL-050	2 - 2ft 4 - 4ft 8 - 8ft C - Custom	SI - Silver BK - Black WH - White	FTD - Flat Diffuser FTO - Flat Opal ¹ FTT - Flat Transparent ¹ FTB - Flat Black ¹	RL - Rolls PA - Pre-Assembled FA - Fully Assembled



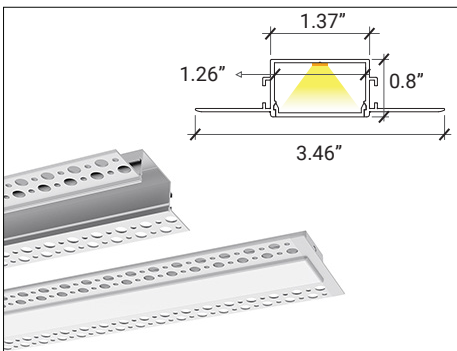
LP-LGC-RTL-075/ Trimless

SERIES	EXT. LENGTH	FINISH	OPTICAL LENS	TAPE LIGHT
LP-LGC-RTL-075	2 - 2ft 4 - 4ft 8 - 8ft C - Custom	SI - Silver BK - Black WH - White	FTD - Flat Diffuser FTO - Flat Opal ¹ FTT - Flat Transparent ¹ FTB - Flat Black ¹	RL - Rolls PA - Pre-Assembled FA - Fully Assembled



LP-MDC-RTL-1/ Trimless

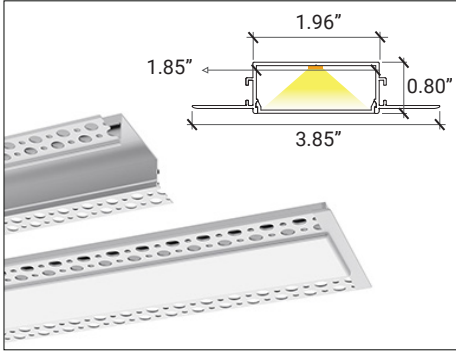
SERIES	EXT. LENGTH	FINISH	OPTICAL LENS	TAPE LIGHT
LP-MDC-RTL-1	2 - 2ft 4 - 4ft 8 - 8ft C - Custom	SI - Silver BK - Black WH - White	FTD - Flat Diffuser FTO - Flat Opal ¹ FTT - Flat Transparent ¹ FTB - Flat Black ¹	RL - Rolls PA - Pre-Assembled FA - Fully Assembled



LP-SHC-RTL-2/ Trimless

Accessories Available, please refer to the channel spec sheet.

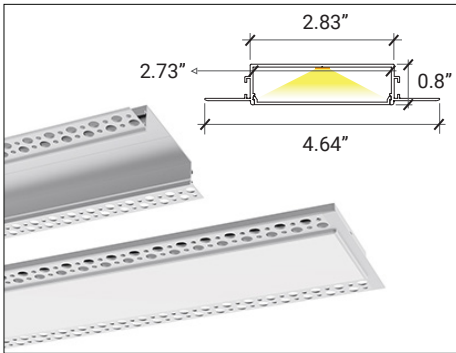
SERIES	EXT. LENGTH	FINISH	OPTICAL LENS	TAPE LIGHT
LP-SHC-RTL-2	2 - 2ft 4 - 4ft 8 - 8ft C - Custom	SI - Silver BK - Black WH - White	FTD - Flat Diffuser FTO - Flat Opal ¹ FTT - Flat Transparent ¹ FTB - Flat Black ¹	RL - Rolls PA - Pre-Assembled FA - Fully Assembled



LP-MDC-RTL-2/ Trimless

Accessories Available, please refer to the channel spec sheet.

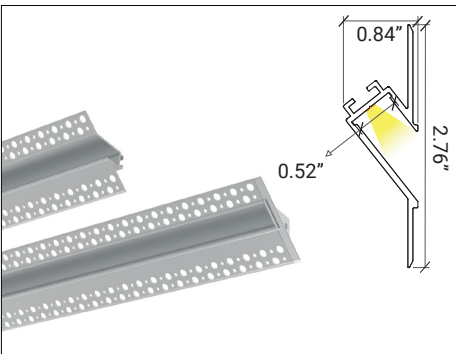
SERIES	EXT. LENGTH	FINISH	OPTICAL LENS	TAPE LIGHT
LP-MDC-RTL-2	2 - 2ft 4 - 4ft 8 - 8ft C - Custom	SI - Silver BK - Black WH - White	FTD - Flat Diffuser FTO - Flat Opal ¹ FTT - Flat Transparent ¹ FTB - Flat Black ¹	RL - Rolls PA - Pre-Assembled FA - Fully Assembled



LP-LGC-RTL-2/ Trimless

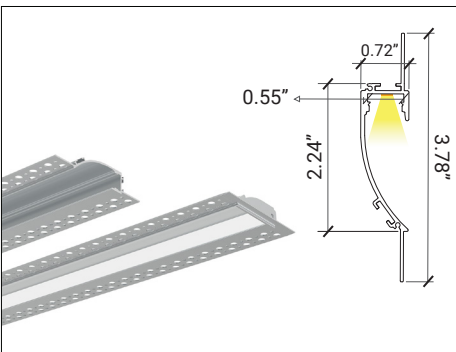
Accessories Available, please refer to the channel spec sheet.

SERIES	EXT. LENGTH	FINISH	OPTICAL LENS	TAPE LIGHT
LP-LGC-RTL-2	2 - 2ft 4 - 4ft 8 - 8ft C - Custom	SI - Silver BK - Black WH - White	FTD - Flat Diffuser FTO - Flat Opal ¹ FTT - Flat Transparent ¹ FTB - Flat Black ¹	RL - Rolls PA - Pre-Assembled FA - Fully Assembled



LP-LGC-WM-RTL-050/Wall Mount/Trimless

SERIES	EXT. LENGTH	FINISH	TAPE LIGHT
LP-LGC-WM-RTL-050	2 - 2ft 4 - 4ft 8 - 8ft C - Custom	SI - Silver BK - Black WH - White	RL - Rolls PA - Pre-Assembled FA - Fully Assembled

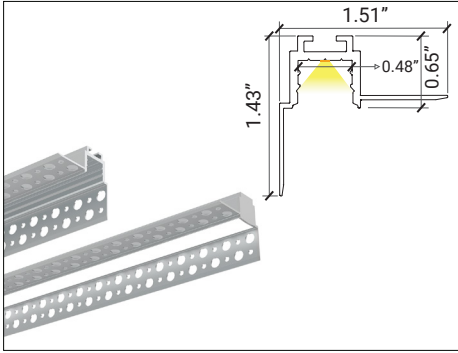


LP-MDC-WM-RTL-050/Wall Mount/Trimless

SERIES	EXT. LENGTH	FINISH	OPTICAL LENS	TAPE LIGHT
LP-MDC-WM-RTL-050	2 - 2ft 4 - 4ft 8 - 8ft C - Custom	SI - Silver BK - Black WH - White	FTD - Flat Diffuser FTO - Flat Opal ¹ FTT - Flat Transparent ¹ FTB - Flat Black ¹	RL - Rolls PA - Pre-Assembled FA - Fully Assembled

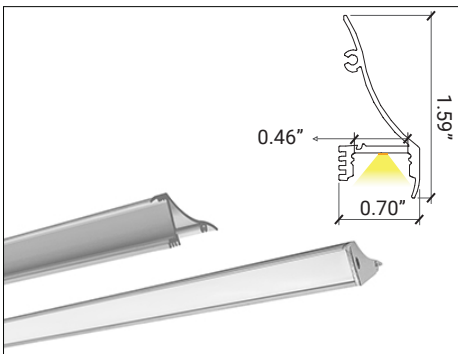


1 Consult factory for colors and optical lenses options.



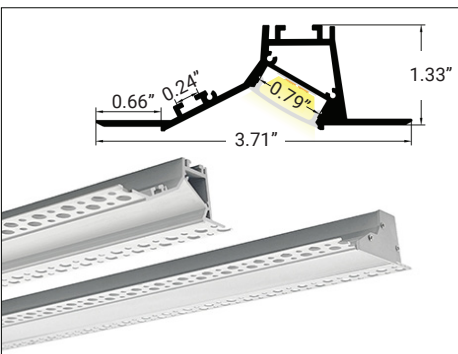
LP-MDC-PR-050/ Wall Mount

SERIES	EXT. LENGTH	FINISH	OPTICAL LENS	TAPE LIGHT
LP-MDC-PR-050	2 - 2ft 4 - 4ft 8 - 8ft C - Custom	SI - Silver BK - Black WH - White	FTD - Flat Diffuser FTO - Flat Opal ¹ FTT - Flat Transparent ¹ FTB - Flat Black ¹	RL - Rolls PA - Pre-Assembled FA - Fully Assembled



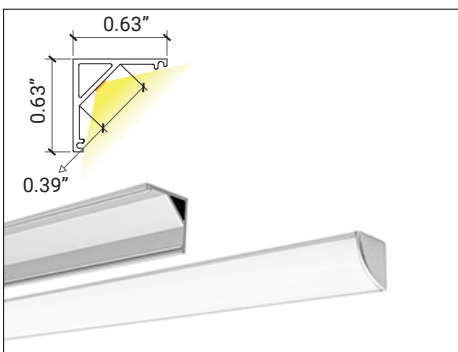
LP-MDC-WM-CM-050/ Wall Mount

SERIES	EXT. LENGTH	FINISH	OPTICAL LENS	TAPE LIGHT
LP-MDC-WM-CM-050	2 - 2ft 4 - 4ft 8 - 8ft C - Custom	SI - Silver BK - Black WH - White	FTD - Flat Diffuser FTO - Flat Opal ¹ FTT - Flat Transparent ¹ FTB - Flat Black ¹	RL - Rolls PA - Pre-Assembled FA - Fully Assembled



LP-MDC-WW-RTL-075/ Wall Washer

SERIES	EXT. LENGTH	FINISH	OPTICAL LENS	TAPE LIGHT
LP-MDC-WW-RTL-075	2 - 2ft 4 - 4ft 8 - 8ft C - Custom	SI - Silver BK - Black WH - White	FTD - Flat Diffuser FTO - Flat Opal ¹ FTT - Flat Transparent ¹ FTB - Flat Black ¹	RL - Rolls PA - Pre-Assembled FA - Fully Assembled

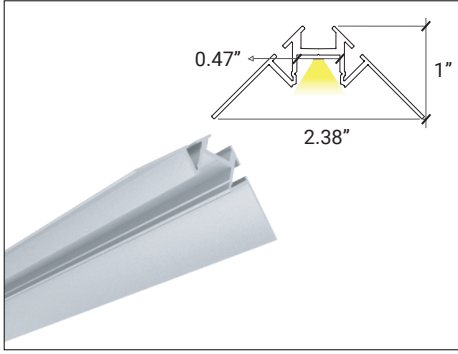


LP-LGC-S90-050/ Surface Corner

SERIES	EXT. LENGTH	FINISH	OPTICAL LENS	TAPE LIGHT
LP-LGC-S90-050	2 - 2ft 4 - 4ft 8 - 8ft C - Custom	SI - Silver BK - Black WH - White	90D - 90° Diffuser 90O - 90° Opal ¹ 90T - 90° Transparent ¹ 90B - 90° Black ¹ COD - Corner Diffuser COP - Corner Opal ¹ COT - Corner Transparent ¹ COB - Corner Black ¹	RL - Rolls PA - Pre-Assembled FA - Fully Assembled

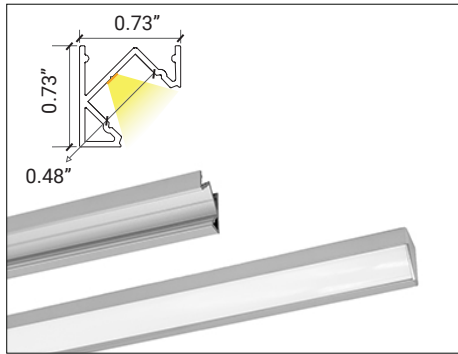


1 Consult factory for colors and optical lenses options.



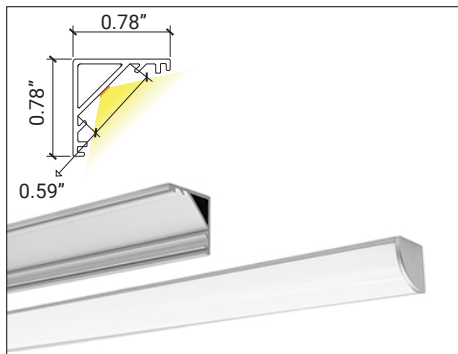
LP-MDC-TLC-050/ Trimless Corner

SERIES	EXT. LENGTH	FINISH	OPTICAL LENS	TAPE LIGHT
LP-MDC-TLC-050	2 - 2ft 4 - 4ft 8 - 8ft C - Custom	SI - Silver BK - Black WH - White	FTD - Flat Diffuser FTO - Flat Opal ¹ FTT - Flat Transparent ¹ FTB - Flat Black ¹	RL - Rolls PA - Pre-Assembled FA - Fully Assembled



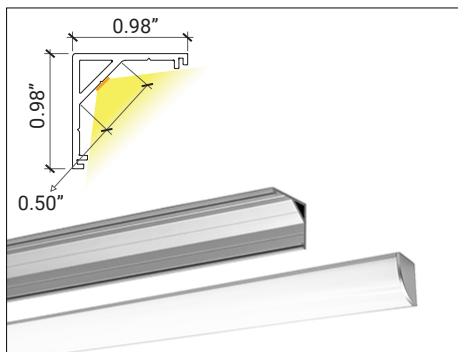
LP-MDC-S90-075/ Surface Corner

SERIES	EXT. LENGTH	FINISH	OPTICAL LENS	TAPE LIGHT
LP-MDC-S90-075	2 - 2ft 4 - 4ft 8 - 8ft C - Custom	SI - Silver BK - Black WH - White	FTD - Flat Diffuser FTO - Flat Opal ¹ FTT - Flat Transparent ¹ FTB - Flat Black ¹	RL - Rolls PA - Pre-Assembled FA - Fully Assembled



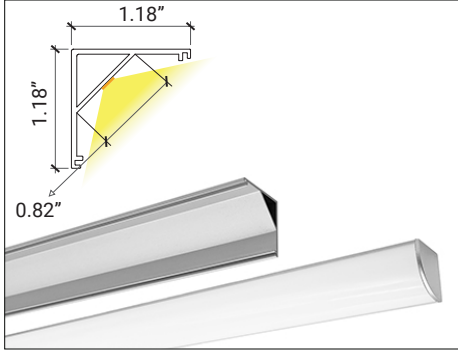
LP-LGC-S90-075/ Surface Corner

SERIES	EXT. LENGTH	FINISH	OPTICAL LENS	TAPE LIGHT
LP-LGC-S90-075	2 - 2ft 4 - 4ft 8 - 8ft C - Custom	SI - Silver BK - Black WH - White	90D - 90° Diffuser 90O - 90° Opal ¹ 90T - 90° Transparent ¹ 90B - 90° Black ¹ COD - Corner Diffuser COP - Corner Opal ¹ COT - Corner Transparent ¹ COB - Corner Black ¹	RL - Rolls PA - Pre-Assembled FA - Fully Assembled



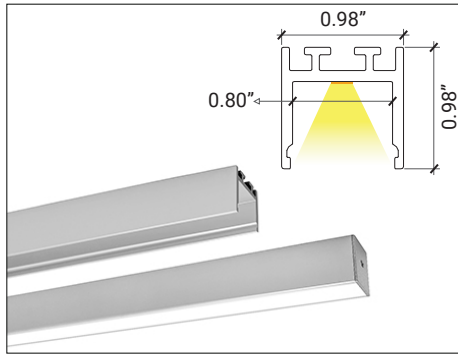
LP-LGC-S90-1/ Surface Corner

SERIES	EXT. LENGTH	FINISH	OPTICAL LENS	TAPE LIGHT
LP-LGC-S90-1	2 - 2ft 4 - 4ft 8 - 8ft C - Custom	SI - Silver BK - Black WH - White	90D - 90° Diffuser 90O - 90° Opal ¹ 90T - 90° Transparent ¹ 90B - 90° Black ¹ COD - Corner Diffuser COP - Corner Opal ¹ COT - Corner Transparent ¹ COB - Corner Black ¹	RL - Rolls PA - Pre-Assembled FA - Fully Assembled



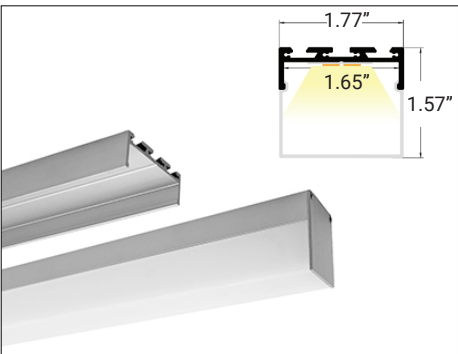
LP-LGC-S90-2/ Surface Corner

SERIES	EXT. LENGTH	FINISH	OPTICAL LENS	TAPE LIGHT
LP-LGC-S90-2	2 - 2ft 4 - 4ft 8 - 8ft C - Custom	SI - Silver BK - Black WH - White	90D - 90° Diffuser 90O - 90° Opal ¹ 90T - 90° Transparent ¹ 90B - 90° Black ¹ COD - Corner Diffuser COP - Corner Opal ¹ COT - Corner Transparent ¹ COB - Corner Black ¹	RL - Rolls PA - Pre-Assembled FA - Fully Assembled



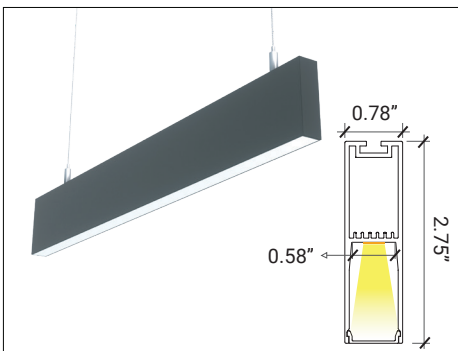
LP-MDC-SPD-1/ Suspended

SERIES	EXT. LENGTH	FINISH	OPTICAL LENS	CLIP	TAPE LIGHT
LP-MDC-SPD-1	2 - 2ft 4 - 4ft 8 - 8ft C - Custom	SI - Silver BK - Black WH - White	FTD - Flat Diffuser FTO - Flat Opal ¹ FTT - Flat Transparent ¹ FTB - Flat Black ¹	PC - Pendant Cable SC - Surface Clip	RL - Rolls PA - Pre-Assembled FA - Fully Assembled



LP-SHC-SPD-2/ Suspended

SERIES	EXT. LENGTH	FINISH	OPTICAL LENS	TAPE LIGHT
LP-SHC-SPD-2	2 - 2ft 4 - 4ft 8 - 8ft C - Custom	SI - Silver BK - Black WH - White	FTD - Flat Diffuser FTO - Flat Opal ¹ FTT - Flat Transparent ¹ FTB - Flat Black ¹ 90D - 90° Diffuser 90O - 90° Opal ¹ 90T - 90° Transparent ¹ 90B - 90° Black ¹ TRD - Triangular Diffuser TRO - Triangular Opal ¹ TRT - Triangular Transparent ¹ TRB - Triangular Black ¹	RL - Rolls PA - Pre-Assembled FA - Fully Assembled

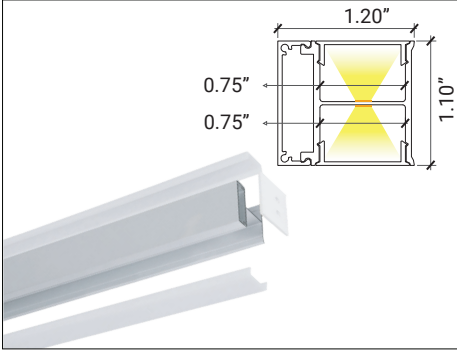


LP-MDC-SPD-2/ Suspended

SERIES	EXT. LENGTH	FINISH	OPTICAL LENS	TAPE LIGHT
LP-MDC-SPD-2	2 - 2ft 4 - 4ft 8 - 8ft C - Custom	BK - Black WH - White	FTD - Flat Diffuser FTO - Flat Opal ¹ FTT - Flat Transparent ¹ FTB - Flat Black ¹	RL - Rolls PA - Pre-Assembled FA - Fully Assembled

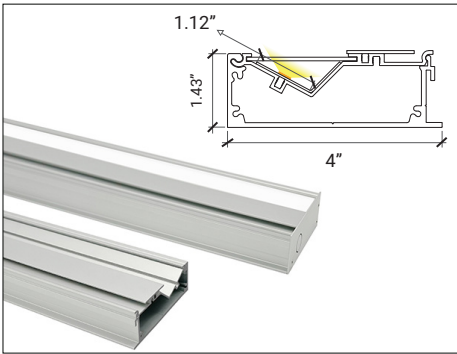


1 Consult factory for colors and optical lenses options.



LP-MDC-WM-DI-1 / Surface / Up & Down Light

SERIES	EXT. LENGTH	FINISH	OPTICAL LENS	TAPE LIGHT
LP-MDC-WM-DI-1	2 - 2ft 4 - 4ft 8 - 8ft C - Custom	SI - Silver BK - Black WH - White	FTD - Flat Diffuser FTO - Flat Opal ¹ FTT - Flat Transparent ¹ FTB - Flat Black ¹	RL - Rolls PA - Pre-Assembled FA - Fully Assembled



LP-MDC-WW-RTL-2 / Cove

SERIES	EXT. LENGTH	FINISH	OPTICAL LENS	TAPE LIGHT
LP-MDC-WW-RTL-2	2 - 2ft 4 - 4ft 8 - 8ft C - Custom	SI - Silver BK - Black WH - White	FTD - Flat Diffuser FTO - Flat Opal ¹ FTT - Flat Transparent ¹	RL - Rolls PA - Pre-Assembled FA - Fully Assembled

Tunable White / Wall Controller (RF Signal)

This solution enables the strip light to function with a wall controller (RF signal). It includes the following components:

Driver – Powers the strip light.

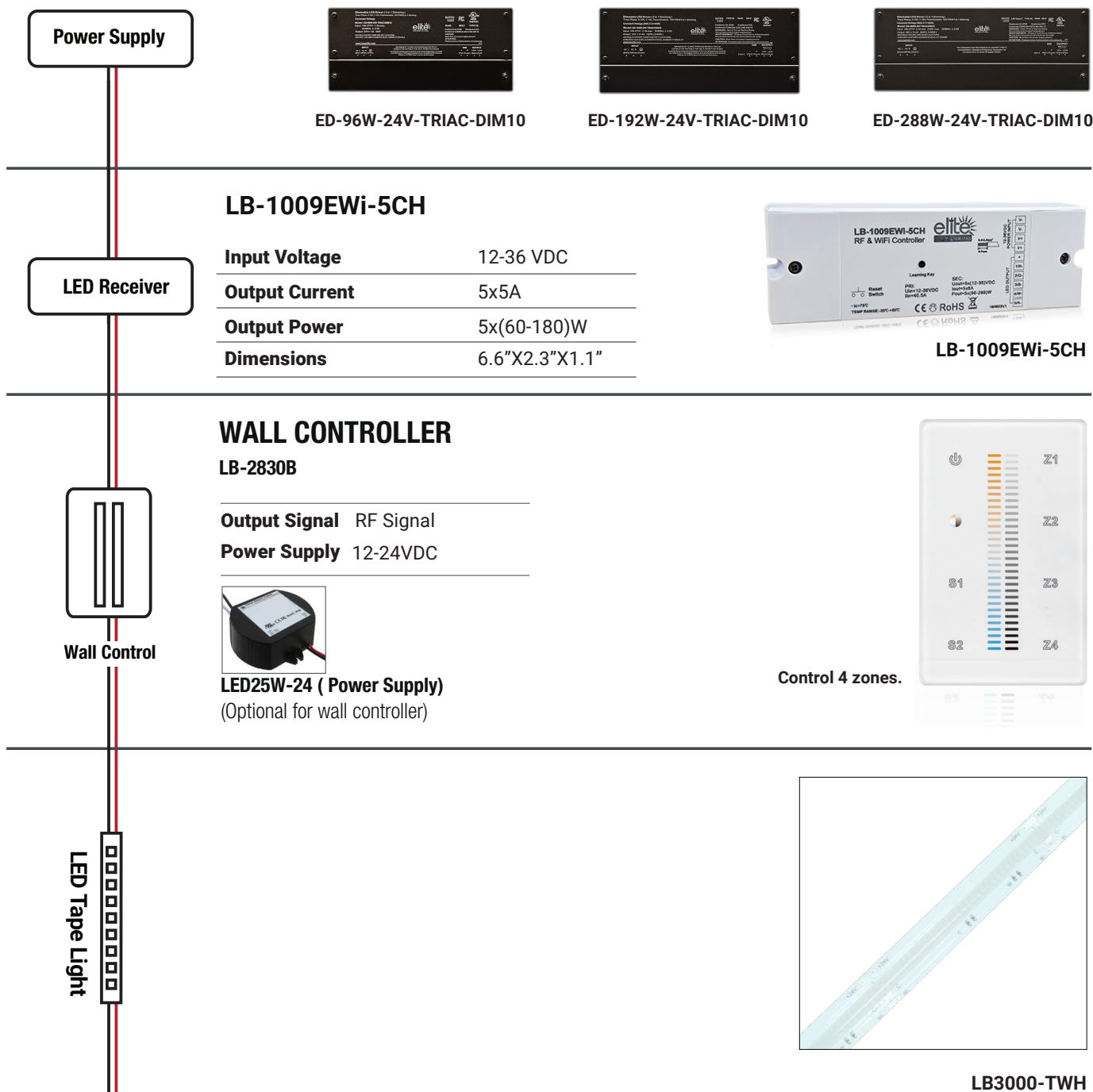
Receiver – Receives signals from the wall controller to control the strip light.

Wall Controller (RF Signal) – Used to control the strip light remotely.

LED25W-24 Power Supply – Connected to the wall controller to convert the 120V AC from the wall outlet to 24V DC, which is necessary for the controller to function.

This configuration ensures seamless control of the strip light while maintaining the necessary power conversion and signal reception.

[Click on the images for detailed information.](#)



Tunable White / Remote Controller (RF Signal)

This solution enables the strip light to function with a remote controller (RF signal). It includes the following components:

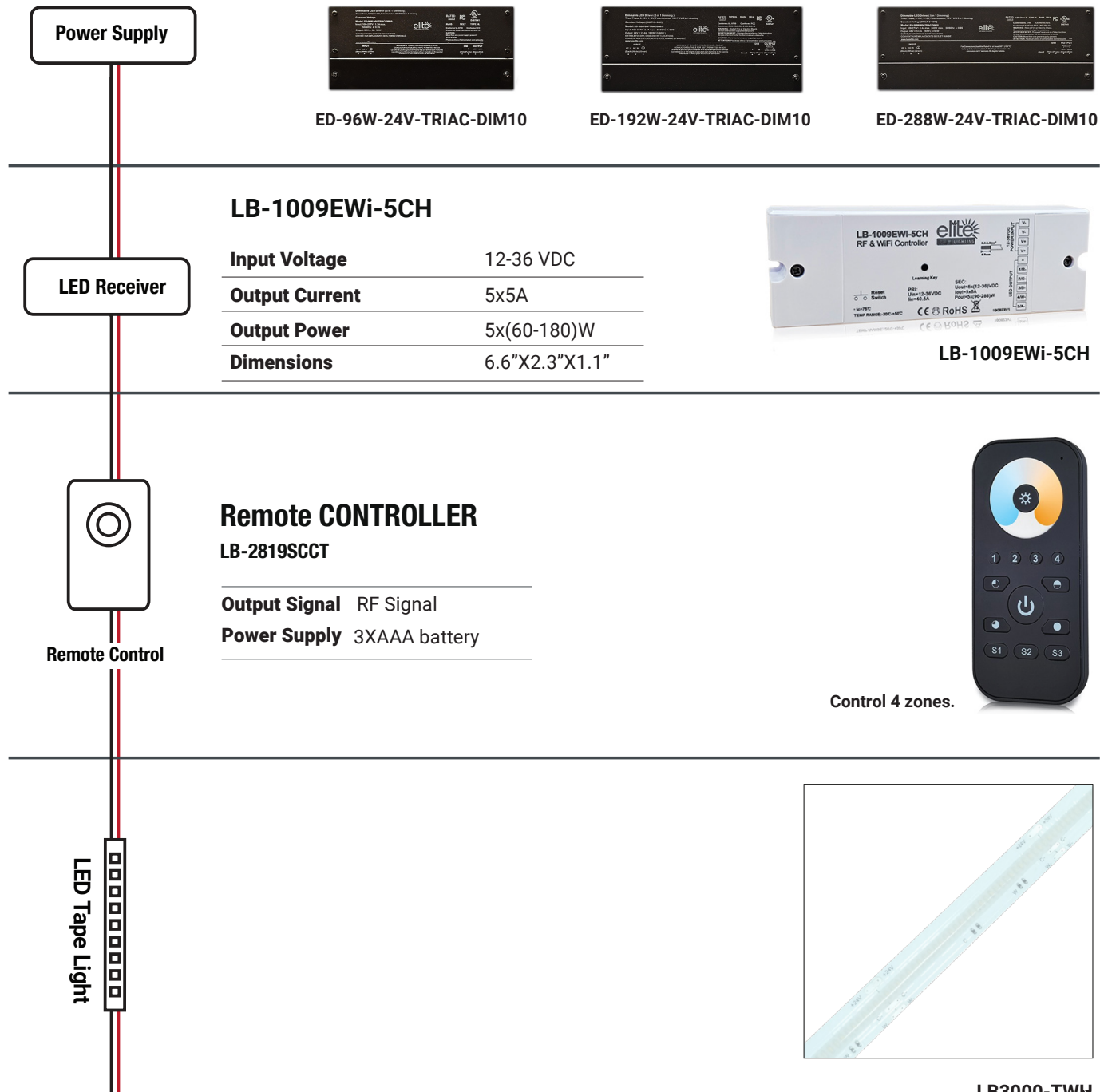
Driver – Powers the strip light.

Receiver – Receives signals from the wall dimmer controller to control the strip light.

Remote Controller (RF Signal) – Used to control the strip light remotely, powered by 3-AAA batteries.

This configuration ensures seamless control of the strip light while maintaining the necessary signal reception.

[Click on the images for detailed information.](#)



Tunable White / Wall Dimmer Controller (RF Signal)

This solution enables the strip light to function with a wall dimmer controller (RF signal). It includes the following components:

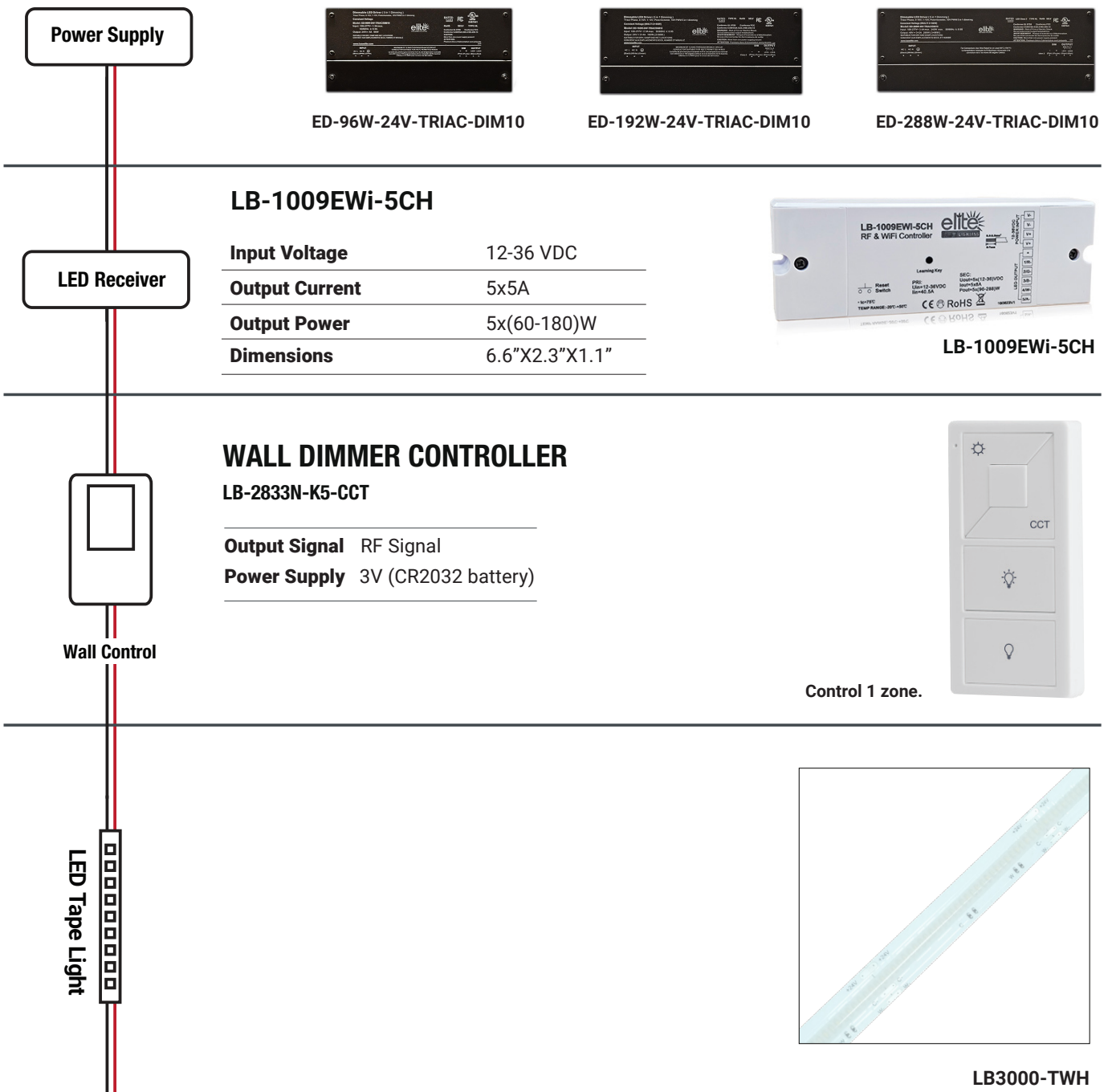
Driver – Powers the strip light.

Receiver – Receives signals from the wall dimmer controller to control the strip light.

Wall Dimmer Controller (RF Signal) – Used to control the strip light remotely, powered by a 3V CR2032 battery.

This configuration ensures seamless control of the strip light while maintaining the necessary signal reception.

[Click on the images for detailed information.](#)



Tunable White / DMX Wired

This solution enables the strip light to function with a wired DMX system. It includes the following components:

Driver – Powers the strip light.

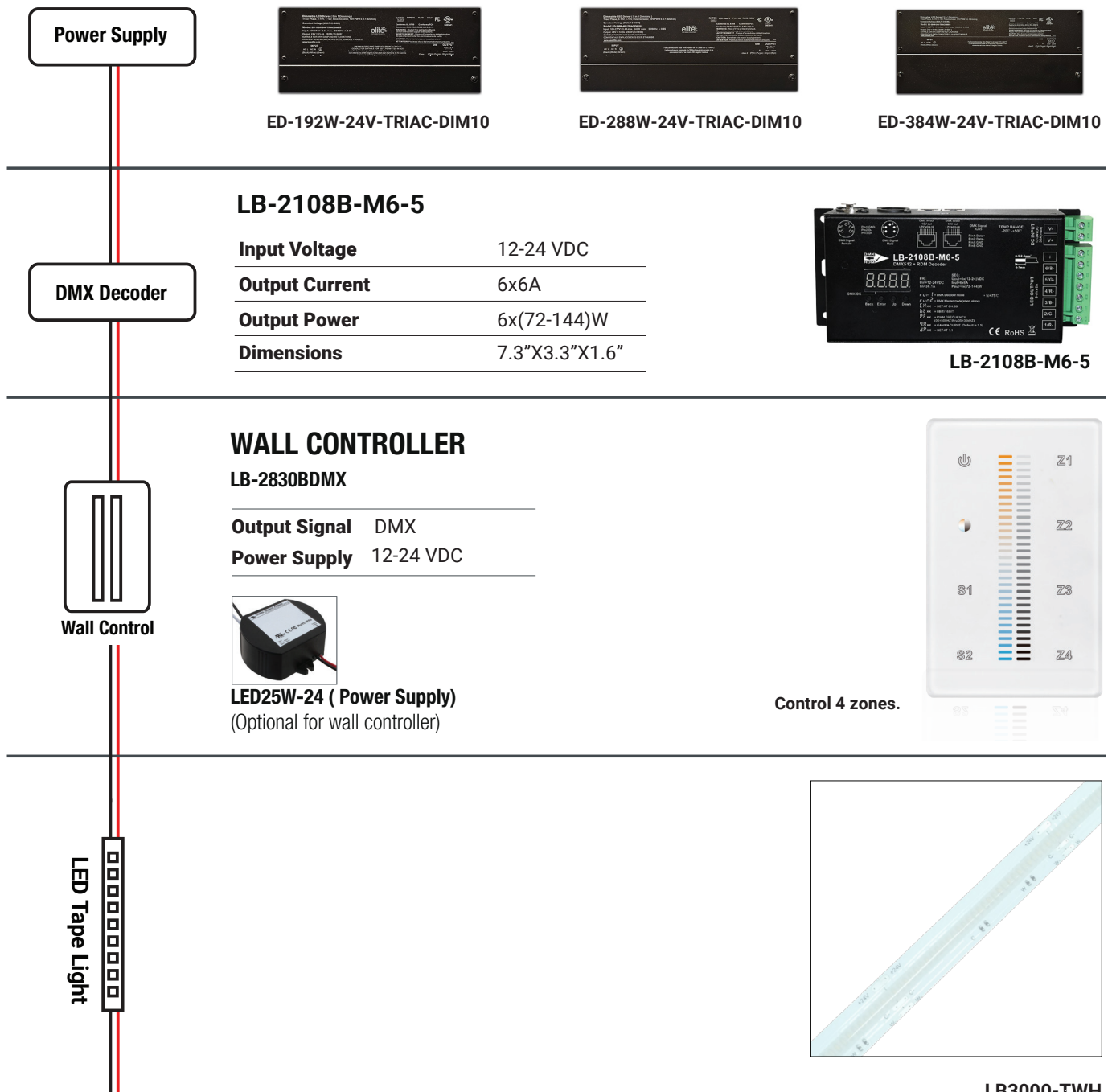
DMX Decoder – Receives the DMX signal (via a wired connection) and converts it into control signals for the strip light, adjusting the color and brightness.

Wall Controller – Sends the DMX signal to the DMX decoder, remotely controlling the strip light via a wired connection.

LED25W-24 Power Supply – Connected to the wall controller, this power supply converts the 120V AC from the wall outlet into 24V DC, which is necessary for the controller to function.

This configuration ensures precise, wired DMX control over the strip light, enabling full control of the light's color and brightness, while maintaining proper power conversion and signal reception.

Click on the images for detailed information.



Tunable White / AC to DC - (DMX Wired)

This solution enables the strip light to function with the DMX512 Dimmable LED Driver AC to DC - DMX Wired system. It includes the following components:

LB-2108-24-96CVF-UL Driver – Powers the strip light and integrates the DMX decoder, converting the DMX signal to control signals for the strip light to adjust color and brightness. This driver is central to the operation of the system.

DMX Wall Controller – Wired directly to the LB-2108-24-96CVF-UL Driver, it processes and manages the DMX control signals, enabling precise control of the strip light's color and brightness. It ensures that the system responds to the desired adjustments.

LED25W-24 Power Supply – Provides power to the DMX controller by converting 120V AC from the outlet to 24V DC. The power supply ensures that the controller receives the proper voltage for operation.

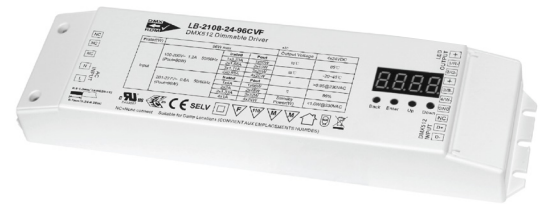
This configuration ensures seamless, wired control of the strip light through the DMX512 Dimmable LED Driver AC to DC - DMX Wired system. It allows for precise control of color and brightness while maintaining proper power conversion and signal processing throughout the setup.

[Click on the images for detailed information.](#)



LB-2108-24-96CVF-UL

Input Voltage	120-277 VAC
LED Channels	4
Frequency Range	50/60Hz
DC Voltage	24V DC
Dimensions	9.6"X2.5"X1.2"



LB-2108-24-96CVF-UL



Wall Control

WALL CONTROLLER

LB-2830BDMX

Output Signal	DMX
Power Supply	12-24 VDC



LED25W-24 (Power Supply)
(Optional for wall controller)



Control 4 zones.



LED Tape Light



LB3000-TWH

Tunable White / ELDOLED AC to DC - (DMX Wired)

This solution enables the strip light to function with the ELDOLED AC to DC - DMX Wired system. It includes the following components:

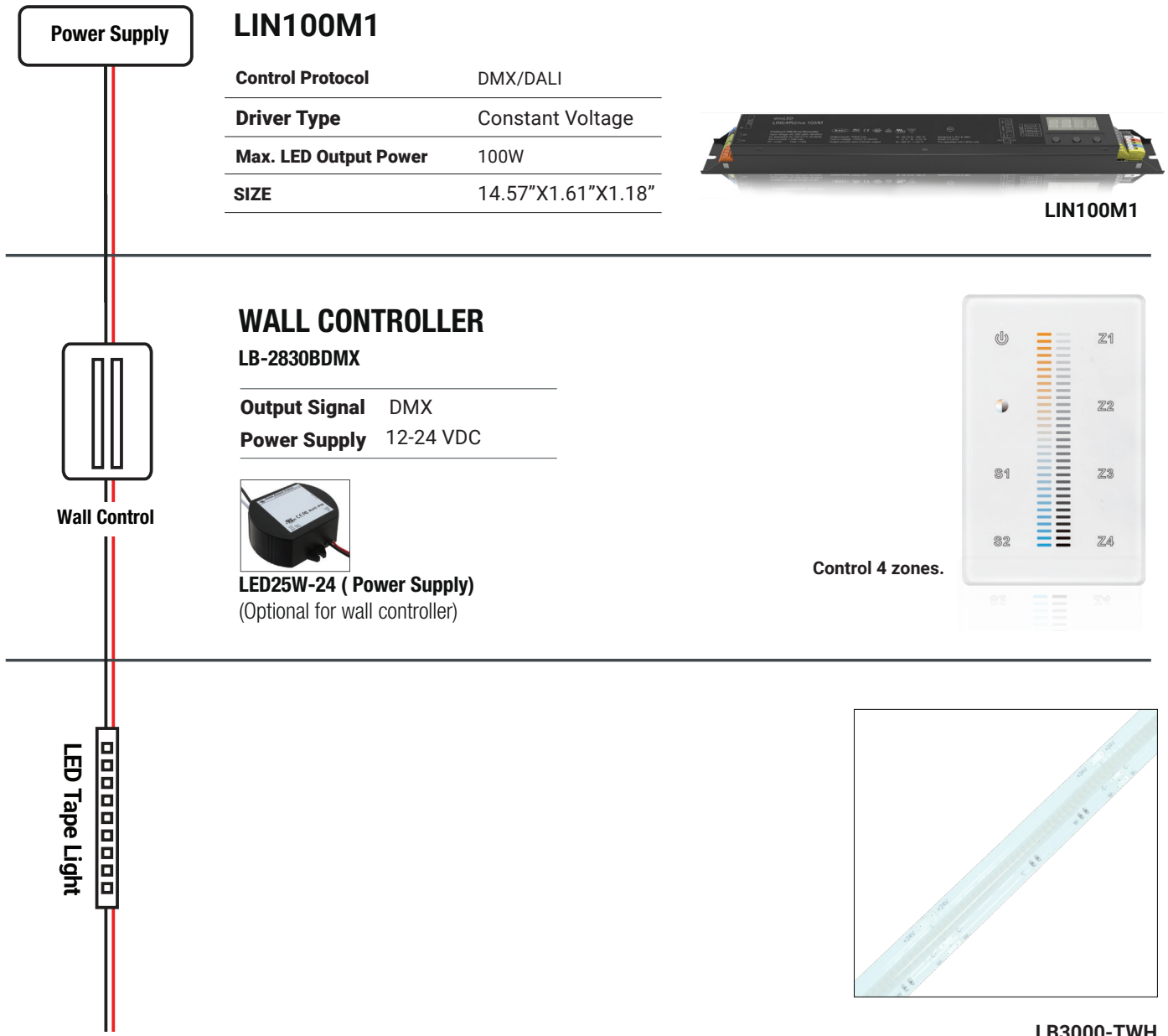
ELDO LIN100M1 Driver – Powers the strip light and integrates the DMX decoder, converting the DMX signal to control signals for the strip light to adjust color and brightness. This driver is central to the operation of the system.

DMX Wall Controller – Wired directly to the ELDO LIN100M1 Driver, it processes and manages the DMX control signals, enabling precise control of the strip light's color and brightness. It ensures that the system responds to the desired adjustments.

LED25W-24 Power Supply – provides power to the DMX controller by converting 120V AC from the outlet to 24V DC. The power supply ensures that the controller receives the proper voltage for operation.

This configuration ensures seamless, wired control of the strip light through the ELDOLED AC to DC - DMX Wired system. It allows for precise control of color and brightness while maintaining proper power conversion and signal processing throughout the setup.

[Click on the images for detailed information.](#)



Tunable White /Wall Controller 1-10V

This solution enables the strip light to function with a 1-10V wall controller. It includes the following components:

Driver – Powers the strip light. This LED driver provides smooth, flicker-free dimming down to 0.1% before total darkness, ensuring a quality user experience.

1-10V Wall Controller – Used to control the strip light remotely. This full-touch controller offers fast and accurate color temperature adjustment and independent brightness dimming for each white channel.

This configuration ensures seamless control of the strip light while maintaining the necessary signal reception.

[Click on the images for detailed information.](#)



DD-24V-90W-N

Rated Voltage	24VDC
Input Voltage	120VAC +/-10%
Max. Power	90W
Input Frequency	60Hz
Voltage Ripple & Noise Max	300mV (Vp-p)



WALL CONTROLLER

LB-2834-CCT

Output Signal	2X(1-10V)
Power Supply	100-277 VAC



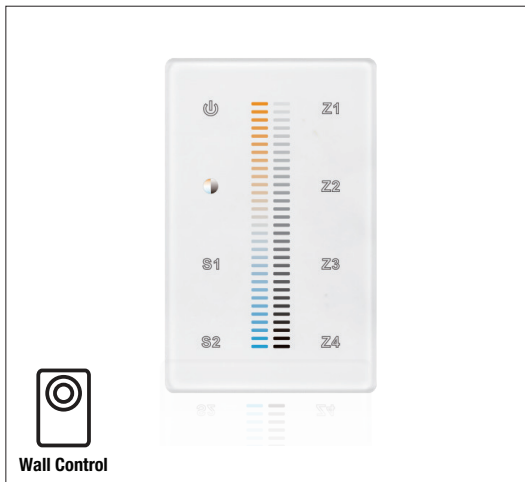
Wall Control

Control 1 zone.

LED Tape Light



LB3000-TWH



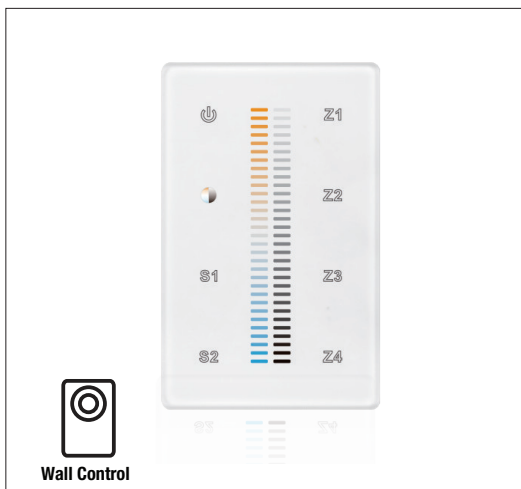
LB-2830B CCT Color Wall Panel Controller

- Ultra-sensitive, high-strength glass touch panel with a color line in the middle and backlighting.
- Ideal for dual-color LED lights, both warm white and cold white.
- Control 4 different zones separately or synchronously, with endless receivers available in each zone.
- Save 2 kelvin settings/scenes for each zone.
- Enable connection with both warm white and cold white to achieve accurate adjustment of color temperature and brightness
- 256-level brightness adjustment for each white to achieve millions of color temperature possibilities
- Smooth dimming without any flickering, ranging from 0.1% to 100%.
- Receivers can work with the WiFi-RF converter using the "EasyLighting" app on IOS and Android systems.

TECHNICAL DETAILS

Output Signal	RF Signal
Power Supply	12-24 VDC
Power Consumption	< 20 mA
Operating Temperature	0-40°C / 32°F-104°F
Frequency	916.5MHz
Dimensions	2.9"X4.7"X1"

Color	White
Certifications	FCC / RoHS
Zones	4
Rated	IP20
Warranty	5-Years limited warranty



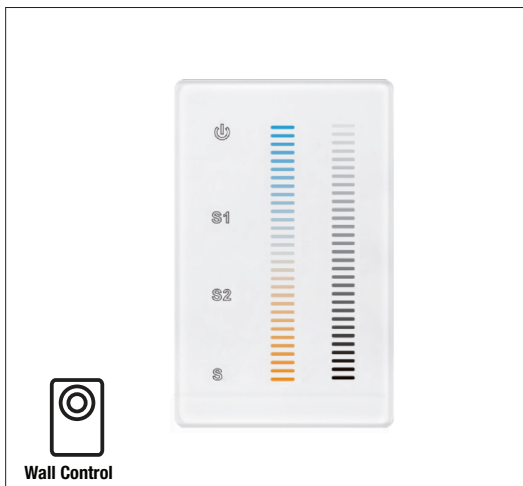
LB-2830BDMX DMX512 Wall Panel Controller

- DMX signal output, complies with standard protocol DMX512(1990).
- Four different zones can be operated separately or synchronized with endless decoders in each zone.
- Save 2 kelvins/scenes for each zone.
- 256-level brightness adjustment for each white allows for the achievement of millions of color temperatures.
- Smooth dimming and switching without any flickering.
- Backlighting design enables visibility in the dark.

TECHNICAL DETAILS

Output Signal	DMX512 Signal
Power Supply	12-24 VDC
Consumption Power	< 20 mA
Operating Temperature	0-40°C / 32°F-104°F
Dimensions	4.7"X2.9"X1"
Mounting	Wall Mount

Color	White
Certifications	FCC / RoHS
Zones	4 zones
Surface	Glass
Control	CCT controller
Warranty	5 Years limited warranty



LB-2834-CCT 0/1-10V CCT Wall Panel Controller

- Double touch sliders, one for Brightness and the other one for CCT adjustment.
- Control 1 zone with endless receivers in each zone.
- Save up to 3 colors/scenes for each zone.
- 1% - 100% dimming.
- 2 channels 1-10V signal output.
- Receivers can work with the WiFi-RF converter using the “EasyLighting” or “Easyhome” app on IOS and Android systems.

TECHNICAL DETAILS

Output Signal	2X (1-10V) Signal
Power Supply	100-277VAC
Consumption Power	Max. 1.8W
Operating Temperature	0-40°C / 32°F-104°F
Dimensions	4.7”X2.9”X1”
Mounting	Wall Mount

Color	White
Certifications	FCC / RoHS
Zones	1 zone
Surface	Glass
Control	CCT controller
Warranty	5 Years limited warranty



LB-2819SCCT CCT Color Remote Controller

- Ultra sensitive touch control color touch wheel.
- Control up to 4 zones; each zone can be set with endless receivers. 1 receiver can be paired by max 8 different remote controls.
- Save 3 kelvins/scenes for each zone.
- Control distance around 20-30 meters.
- Accurate and smooth color temperature and brightness adjustment for natural white, warm white, and cold white LEDs.
- 256-level brightness adjustment for each white to achieve millions of color temperatures.
- Smooth dimming without any flickering from 0.1% to 100%.
- Receivers can work with the WiFi-RF converter using the “EasyLighting” or “Easyhome” app on IOS and Android systems.

TECHNICAL DETAILS

Output Signal	RF Signal
Power Supply	4.5V (3xAAA battery)
Operating Temperature	0-40°C / 32°F-104°F
Frequency	869.5/916.5/434MHz
Dimensions	4.7”X2”X0.66”

Certifications	FCC / RoHS
Color	Black
Zones	Control 4 Zones of RF receivers separately
Rated	IP20
Warranty	5-Years limited warranty



LB-2833N-K5-CCT RF CCT Dimmer

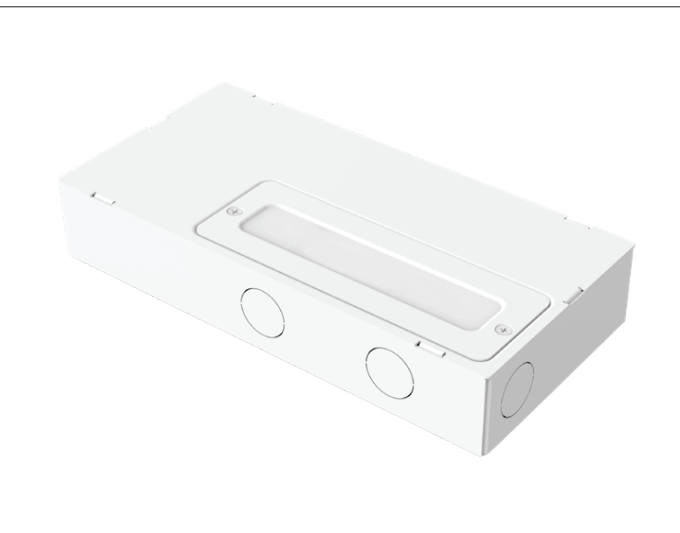
RF wireless Dual Color Remote can control 1 zone of receiver. This CCT color controller is compatible with all universal series RF receivers. One receiver can be paired with a maximum of 8 remote controllers. This device contains a button lithium battery that should be stored and disposed of properly. **DO NOT expose the device to moisture.**

Output Signal	RF Signal
Power Supply	3V (CR2032 battery)
Operating Temperature	0-40°C / 32°F-104°F
Dimensions	2.5"X1.2"X0.35"
Zones	Control 1 Zone of receiver
Frequency	916.5MHz
Rated	IP20
Warranty	5-Years limited warranty



LED25W-24 (Power Supply) Optional for wall controller

Total Power: 25 Watts
 Input Voltage: 100-277 VAC
 UL Dry & Damp Location Rated
 IP66
 High Efficiency
 High Power Factor
 Analog Dimming (0-10V)
 Black Magic Thermal Advantage, Plastic Housing



DD-24V-90W-N Tunable White/Dim-to-Warm Control

Controlled by our DimTone Wall Switch through a wireless signal, this system entails zero compatibility issues and unbeatable dimming performance. This LED Driver provides smooth, flicker-free dimming down to 0.1% before total darkness to ensure a quality user experience. It is available in both 12VDC and 24VDC output.

The DriveTone is a UL listed Class 2 Driver that includes an integrated junction box with a separate input and output wiring compartment each with three 7/8" knockouts for easy and safe installation.

TECHNICAL DETAILS

Rated Voltage	24VDC
Input Voltage	120VAC +/-10%
Max. Power	90W
Input Frequency	60Hz
Voltage Ripple & Noise Max	300mV (Vp-p)

Dimensions	8.4"X4.1"X1.5"
Operating Temp	-30°C - +40°C / -86°F - +104°F
IP Rating	23
Color	White
UL Listed Class 2	cUL Listed



LB-2108B-M6-5 DMX512 & RDM Decoder

The **LB-2108B-M6-5** is an Ultra-Pro 6CH RDM DMX512 decoder equipped with master and decoder modes and RDM functionality. Encased in a metal housing and featuring a digital display, it can directly display data and easily set and show DMX addresses.

This device offers multiple types of DMX input/output ports, including RJ45, XLR, and standard screws. It provides a total of 6 PWM output channels, all with common anode configuration. The DMX channel quantity can be configured as either 1CH or 6CH, and the PWM output resolution ratio can be set to 8-bit or 16-bit. With adjustable decoding modes, the output PWM frequency ranges from 500Hz to 35KHz, and the output dimming curve gamma value can be adjusted from 0.1 to 9.9.

TECHNICAL DETAILS

Input Voltage	12-24 VDC
Output Current	6x6A
Output Power	6x(72-144)W
Dimensions	7.3"X3.3"X1.6"

Output PWM Frequency	500HZ - 35K HZ settable
Certifications	FCC / RoHS
Color	Black
Warranty	5-years limited warranty



LB-1009EWI-5CH RF+WiFi Receiver

The RF LED receiver LB-1009EWI-5CH is a 5-channel, fully functional constant voltage LED controller available with 12-36VDC and a maximum output of 5A per channel. It can drive RGB and dual-color (warm white and cold white) LED lighting with a single receiver when paired with an RGB and CCT remote.

In addition to RGB and CCT LEDs, the 5-channel RF receiver also supports monochrome, dual-color, RGB, and RGB lighting when paired with the corresponding remote or wall-mounted control.

It offers not only smooth brightness dimming function but also accurate color temperature and RGB color tone adjustment with PWM output. Multiple zones can be controlled separately or synchronously with endless receivers in each zone. Built-in changing patterns are available and can be saved to each zone. The brightness of each zone's R, G, B, W channels can be adjusted separately to achieve millions of colors.

When working with WiFi-RF converters, the RF receiver can be WiFi-controlled by an app installed on iOS or Android mobile devices.

TECHNICAL DETAILS

Input Voltage	12-36 VDC
Output Current	5x5A
Output Power	5x(60-180)W
Dimensions	6.6"X2.3"X1.1"

Frequency	869.5/916.5/434MHz
Certifications	FCC / RoHS
Color	White
Warranty	5-years limited warranty



LB-2108-24-96CVF-UL DMX512 & RDM Dimmable LED Driver

The LB-2108-24-96CVF is a UL, ENEC, and TUV approved RDM-enabled DMX 96W dimmable LED driver with 4 channels of 24VDC constant voltage output and a 100-277VAC universal input. The driver boasts a power factor of over 0.9 and efficiency exceeding 90%, ensuring smooth and deep dimming down to 0.1% without flickering or buzzing noise.

It supports DMX channel quantities of 1/2/3/4, configurable via buttons, allowing control of single-color, tunable white, and RGB/RGBW LED lighting. DMX addresses can be manually assigned using the buttons and displayed on the digital display. Compliant with DMX512(2008), DMX512-A, and RDM V1.0 (E1.20 - 2006 ESTA Standard) protocols, this DMX driver is compatible with universal DMX consoles, and its UL, ENEC, and TUV certification ensures high safety performance for worldwide use.

Various features can be configured via the visible numeric digital display and buttons, including DMX address, DMX channel quantity, PWM output resolution (8-bit or 16-bit), PWM output frequency (adjustable from 500Hz to ultra-high 30kHz, ideal for professional film lighting), GAMMA ray dimming curve value (adjustable from 0.1-9.9, with optional logarithmic and linear dimming), and DMX decoding modes (optional, with default mode set to dp1.1).

TECHNICAL DETAILS

Input Voltage Range	100-277 VAC
LED Channels	4
Frequency Range	50/60Hz
OutPut DC Voltage	24V DC
Dimensions	9.6"X2.5"X1.2"

Output Rated Power	Max. 96W (no minimum load required)
Certifications	FCC / RoHS
Color	White
Warranty	5-Years limited warranty



LIN100M1 DMX DRIVER

LINEARdrive gives you infinite color control for low-voltage LED applications, ranging from single color for accent and cove lighting to RGBW for full-color entertainment product solutions.

This constant voltage LED driver is DMX/DALI compatible and allows you to create your color or dynamic show without an external controller. Symbiosis ensures that the LED driver works seamlessly together with LED modules, controls, and intelligent luminaire elements.

TECHNICAL DETAILS

Output Voltage	12-24 VDC
LED output current	2.8A absolute maximum rating per output
Nominal input voltage range AC	120-250V (ENEC), 120-277V (UL)
Nominal input voltage DC	120-275V

Control Protocol	DMX/DALI
Driver Type	Constant Voltage
Max. LED Output Power	100W
SIZE	14.57"X1.61"X1.18"