

LB3000-RGBW Series
COB Strip Light
Width / 0.47" / 12mm
256 LEDs/FT



FEATURES

The LB3000-RGBW Lumi-PRO dot free COB blends RGB with white LEDs to offer a spectrum of vibrant hues alongside the purity of white light. This opens a realm of creative possibilities, allowing for dynamic color mixing and the integration of subtle, white tones.

Paired with Elite Lighting's decoders and controllers, users can achieve precise control over their lighting environments, orchestrating stunning displays and immersive atmospheres. Whether orchestrating dazzling color displays or illuminating spaces with pristine white light, the LB3000-RGBW represents functionality and aesthetic appeal.

Max run up to 13ft
Indoor/Damp Location (IP22)

RGBW color
Field cuttable every 1.31"

Warranty: 3 years limited warranty

Color **6.1 W/ft.**

■ 3000K	108 lm/ft
■ Red	34 lm/ft
■ Green	85 lm/ft
■ Blue	18 lm/ft
■ RGBW	232 lm/ft

WIRING ACCESSORIES (Tape light comes with a 4ft standard length soldered lead attached on one side, along with an accessory kit)

TW12-5C (3 Pieces Included)



Power Connector
4" Length

JP12-5C (3 Pieces Included)



Tape-to-Tape Jumper
4" Length

SL-5 (Standard SL Attached)



Soldered Lead
4 ft standard length
(custom length sizes available)

JPSL-5 (Optional)



Soldered Jumper
6" L jumper
(custom length sizes available)

TECHNICAL DETAILS

Power	6.1W/ft.
Voltage	24V
CRI	90+
Technology	RGBW
LED Qty	256/ft
Max Run(ft)	13ft
Cutting Length	Every 1.31"
Dimensions	W0.47" X H0.1"
Working Temp.	-4F / +122F


Experience unparalleled performance with our precision-engineered, high-quality Lumi-PRO LB3000-RGBW LED Strip Light, meticulously designed to meet the demands of the most challenging applications.

DIMENSIONS






It Can be ordered in 3 different ways.

1. Everything will be shipped separately

- RL**
- Tape light, extrusion, cover, mountig clips, end caps, and tape light accessory kit.
- 
- Everything will be cut and shipped to your desired length.

Accessory KIT Includes

P/N	DESCRIPTION	QTY
TW12-5C	 4" Length Tape-to-Wire Connector, 12mm, 5 pole.	3ea
JP12-5C	 4" Length Jumper Wire.	3ea
Lead Wire	 4ft Lead wire jacketed white.	3ea

2. Pre-assembled and shipped separately as two units

- PA**
- Tape light, cover, extrusion and accessories will be cut and shipped to your desired length.
 - Wiring accessories will be attached to the tape light.
 - Cover, end caps and clips will be assembled to the channel.



Wiring accessories attached to the tape light.



Channel will be cut and assembled to your desired length.

3. Fully assembled and shipped as a single unit

- FA**
- Tape light, cover, extrusion and accessories will be cut and shipped to your desired length.
 - Wiring accessories will be attached to the tape light.
 - Tape light will be installed into the channel and ready to use.



Refer to the next page for COMPATIBLE channels.

ORDERING SELECTION

Example: LB3000-6.1W-16F-RGBW-24V

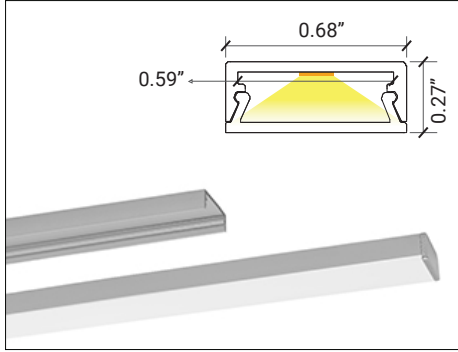
SERIES	WATTAGE	LENGTH	TECHNOLOGY	VOLTAGE	End 1	End 2	WIRING ACCESSORIES	CHANNEL	DRIVER
LB3000	6.1W - 6.1W/ft	16F - 16ft Roll C - Custom <small>(Cutting length every 1.31")</small>	RGBW - RGBW	24V - 24V			TW12-5C - Tape to Wire Connector JP12-5C - Tape to Tape Jumper SL-5 - Soldered Lead <small>(custom length sizes available)</small> JPSL-5 - Soldered Jumper <small>(custom length sizes available)</small> KIT-ACC-LB3000-RGBW - Accessory Kit	Refer to the next pages for available options.	Refer to the next pages for available options.
					Leave END blank when no ACCESSORY is desired				
CONTROLLERS					SHIPPING OPTIONS				

- LB-2812Wi** - Wall Controller
- LB-2820US** - Wall Controller
- LB-2819S** - Remote Controller
- LB-2833-K5-RGBW** - Wall Dimmer
- LED25W-24** - Power Supply
- LB-2108B-M6-5** - DMX Decoder Wired
- LB-1009EAWI** - RF DMX Decoder
- LB-2108-24-96CVF-UL** - DMX Decoder Wired
- LB-2817DMX** - DMX Converter
- LIN100M1** - Eldo LED Driver

- RL** - Rolls 16ft
- PA** - Pre-Assembled
- FA** - Fully Assembled

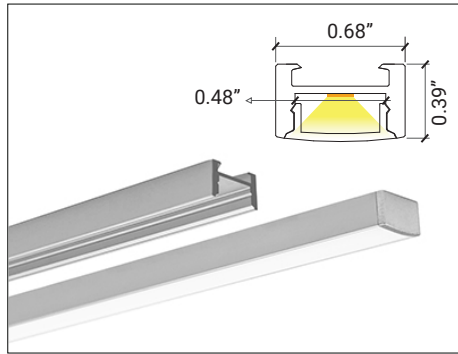


1 Consult factory for colors and optical lenses options.



LP-SHC-CM-075/ Surface

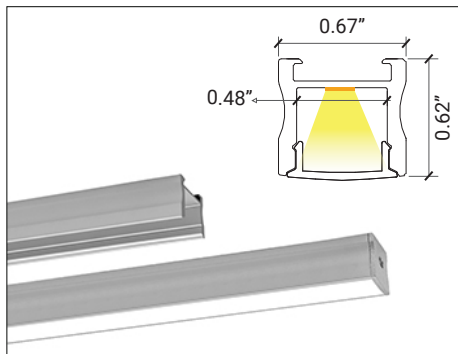
SERIES	EXT. LENGTH	FINISH	OPTICAL LENS	TAPE LIGHT
LP-SHC-CM-075	2 - 2ft 4 - 4ft 8 - 8ft C - Custom	SI - Silver BK - Black WH - White	FTD - Flat Diffuser FTO - Flat Opal ¹ FTT - Flat Transparent ¹ FTB - Flat Black ¹	RL - Rolls PA - Pre-Assembled FA - Fully Assembled



LP-MDC-CM-075/ Surface

Accessories Available, please refer to the channel spec sheet.

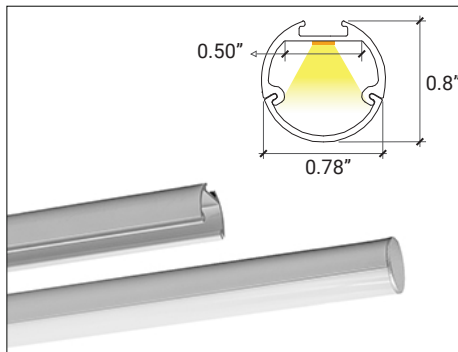
SERIES	EXT. LENGTH	FINISH	OPTICAL LENS	CLIP	TAPE LIGHT
LP-MDC-CM-075	2 - 2ft 4 - 4ft 8 - 8ft C - Custom	SI - Silver BK - Black WH - White	FTD - Flat Diffuser FTO - Flat Opal ¹ FTT - Flat Transparent ¹ FTB - Flat Black ¹	SC - Surface Clip MC - Magnetic Clip	RL - Rolls PA - Pre-Assembled FA - Fully Assembled



LP-LGC-CM-075/ Surface

Accessories Available, please refer to the channel spec sheet.

SERIES	EXT. LENGTH	FINISH	OPTICAL LENS	CLIP	TAPE LIGHT
LP-LGC-CM-075	2 - 2ft 4 - 4ft 8 - 8ft C - Custom	SI - Silver BK - Black WH - White	FTD - Flat Diffuser FTO - Flat Opal ¹ FTT - Flat Transparent ¹ FTB - Flat Black ¹	SC - Surface Clip MC - Magnetic Clip	RL - Rolls PA - Pre-Assembled FA - Fully Assembled

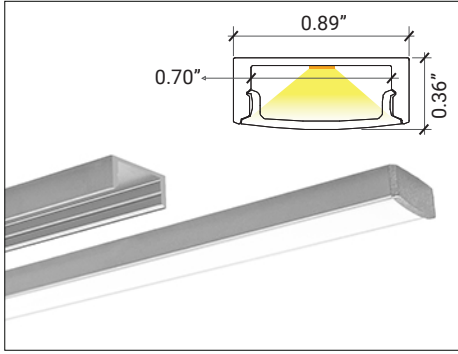


LP-SHC-SC-MG-075/ Surface

SERIES	EXT. LENGTH	FINISH	OPTICAL LENS	CLIP	TAPE LIGHT
LP-SHC-SC-MG-075	2 - 2ft 4 - 4ft 8 - 8ft C - Custom	SI - Silver BK - Black WH - White	RDD - Rounded Diffuser RDO - Rounded Opal ¹ RDT - Rounded Transparent ¹ RDB - Rounded Black ¹	SC - Surface Clip MC - Magnetic Clip	RL - Rolls PA - Pre-Assembled FA - Fully Assembled

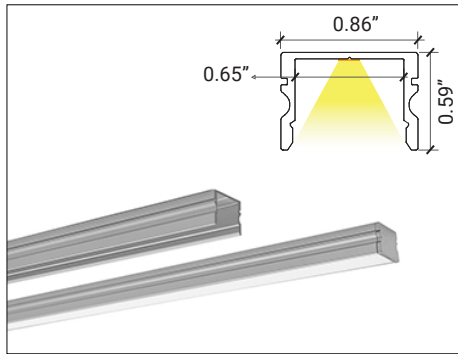


1 Consult factory for colors and optical lenses options.



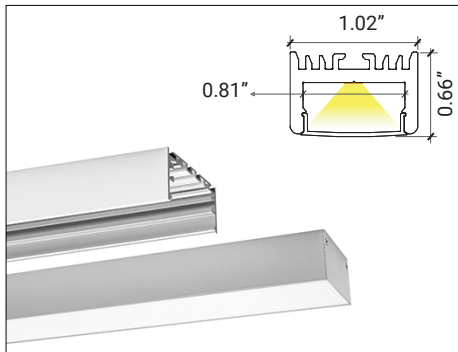
LP-SHC-CM-1/ Surface

SERIES	EXT. LENGTH	FINISH	OPTICAL LENS	TAPE LIGHT
LP-SHC-CM-1	2 - 2ft 4 - 4ft 8 - 8ft C - Custom	SI - Silver BK - Black WH - White	FTD - Flat Diffuser FTO - Flat Opal ¹ FTT - Flat Transparent ¹ FTB - Flat Black ¹	RL - Rolls PA - Pre-Assembled FA - Fully Assembled



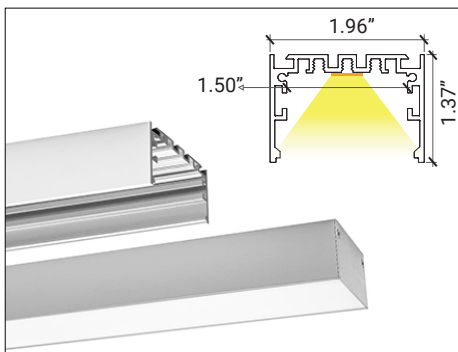
LP-MDC-CM-1/ Surface

SERIES	EXT. LENGTH	FINISH	OPTICAL LENS	TAPE LIGHT
LP-MDC-CM-1	2 - 2ft 4 - 4ft 8 - 8ft C - Custom	SI - Silver BK - Black WH - White	FTD - Flat Diffuser FTO - Flat Opal ¹ FTT - Flat Transparent ¹ FTB - Flat Black ¹	RL - Rolls PA - Pre-Assembled FA - Fully Assembled



LP-LGC-CM-1/ Surface

SERIES	EXT. LENGTH	FINISH	OPTICAL LENS	TAPE LIGHT
LP-LGC-CM-1	2 - 2ft 4 - 4ft 8 - 8ft C - Custom	SI - Silver BK - Black WH - White	FTD - Flat Diffuser FTO - Flat Opal ¹ FTT - Flat Transparent ¹ FTB - Flat Black ¹	RL - Rolls PA - Pre-Assembled FA - Fully Assembled

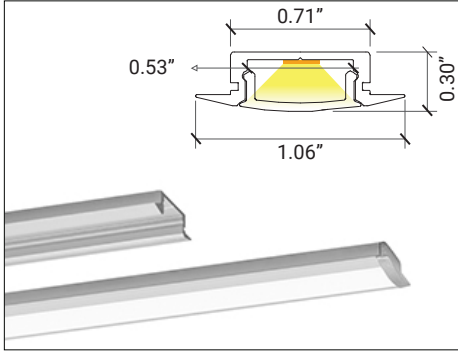


LP-LGC-CM-2/ Surface

SERIES	EXT. LENGTH	FINISH	OPTICAL LENS	TAPE LIGHT
LP-LGC-CM-2	2 - 2ft 4 - 4ft 8 - 8ft C - Custom	SI - Silver BK - Black WH - White	FTD - Flat Diffuser FTO - Flat Opal ¹ FTT - Flat Transparent ¹ FTB - Flat Black ¹	RL - Rolls PA - Pre-Assembled FA - Fully Assembled

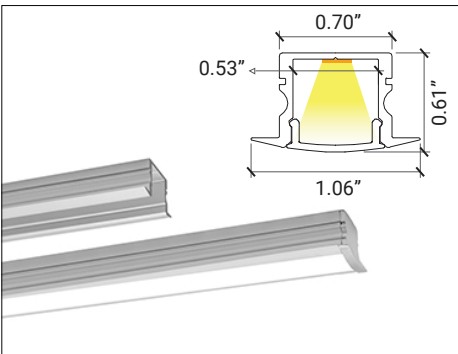


1 Consult factory for colors and optical lenses options.



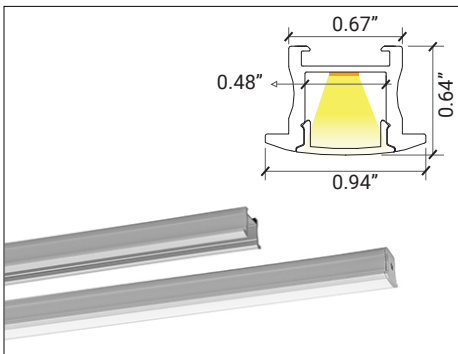
LP-SHC-RFT-075/ Recessed

SERIES	EXT. LENGTH	FINISH	OPTICAL LENS	TAPE LIGHT
LP-SHC-RFT-075	2 - 2ft 4 - 4ft 8 - 8ft C - Custom	SI - Silver BK - Black WH - White	FTD - Flat Diffuser FTO - Flat Opal ¹ FTT - Flat Transparent ¹ FTB - Flat Black ¹	RL - Rolls PA - Pre-Assembled FA - Fully Assembled



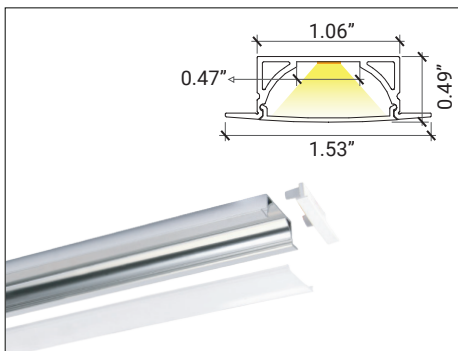
LP-MDC-RFT-075/ Recessed

SERIES	EXT. LENGTH	FINISH	OPTICAL LENS	TAPE LIGHT
LP-MDC-RFT-075	2 - 2ft 4 - 4ft 8 - 8ft C - Custom	SI - Silver BK - Black WH - White	FTD - Flat Diffuser FTO - Flat Opal ¹ FTT - Flat Transparent ¹ FTB - Flat Black ¹	RL - Rolls PA - Pre-Assembled FA - Fully Assembled



LP-LGC-RFT-075/ Recessed
Accessories Available, please refer to the channel spec sheet.

SERIES	EXT. LENGTH	FINISH	OPTICAL LENS	CLIP	TAPE LIGHT
LP-LGC-RFT-075	2 - 2ft 4 - 4ft 8 - 8ft C - Custom	SI - Silver BK - Black WH - White	FTD - Flat Diffuser FTO - Flat Opal ¹ FTT - Flat Transparent ¹ FTB - Flat Black ¹	SC - Surface Clip MC - Magnetic Clip	RL - Rolls PA - Pre-Assembled FA - Fully Assembled

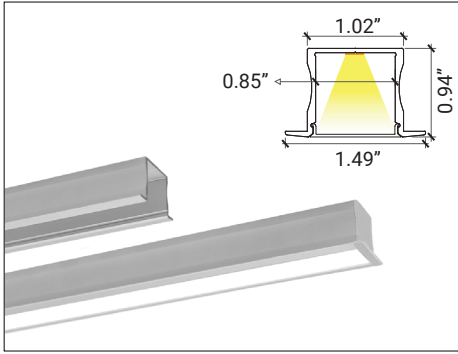


LP-SHC-RFT-1/ Recessed

SERIES	EXT. LENGTH	FINISH	OPTICAL LENS	TAPE LIGHT
LP-SHC-RFT-1	2 - 2ft 4 - 4ft 8 - 8ft C - Custom	SI - Silver BK - Black WH - White	FTD - Flat Diffuser FTO - Flat Opal ¹ FTT - Flat Transparent ¹ FTB - Flat Black ¹	RL - Rolls PA - Pre-Assembled FA - Fully Assembled

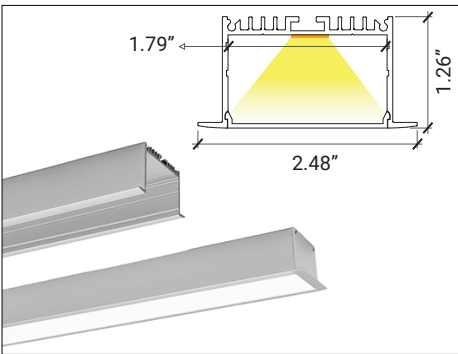


1 Consult factory for colors and optical lenses options.



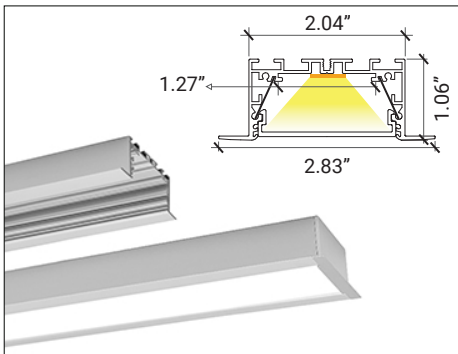
LP-LGC-RFT-1/ Recessed

SERIES	EXT. LENGTH	FINISH	OPTICAL LENS	TAPE LIGHT
LP-LGC-RFT-1	2 - 2ft 4 - 4ft 8 - 8ft C - Custom	SI - Silver BK - Black WH - White	FTD - Flat Diffuser FTO - Flat Opal ¹ FTT - Flat Transparent ¹ FTB - Flat Black ¹	RL - Rolls PA - Pre-Assembled FA - Fully Assembled



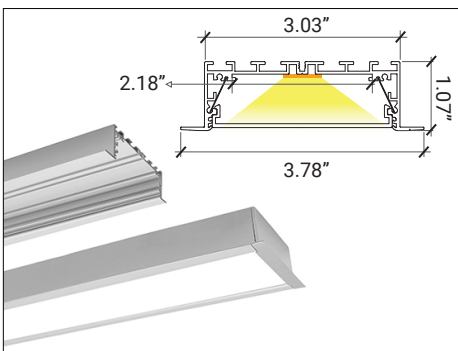
LP-SHC-RFT-2/ Recessed

SERIES	EXT. LENGTH	FINISH	OPTICAL LENS	TAPE LIGHT
LP-SHC-RFT-2	2 - 2ft 4 - 4ft 8 - 8ft C - Custom	SI - Silver BK - Black WH - White	FTD - Flat Diffuser FTO - Flat Opal ¹ FTT - Flat Transparent ¹ FTB - Flat Black ¹	RL - Rolls PA - Pre-Assembled FA - Fully Assembled



LP-MDC-RFT-2/ Recessed
Accessories Available, please refer to the channel spec sheet.

SERIES	EXT. LENGTH	FINISH	OPTICAL LENS	TAPE LIGHT
LP-MDC-RFT-2	2 - 2ft 4 - 4ft 8 - 8ft C - Custom	SI - Silver BK - Black WH - White	FTD - Flat Diffuser FTO - Flat Opal ¹ FTT - Flat Transparent ¹ FTB - Flat Black ¹	RL - Rolls PA - Pre-Assembled FA - Fully Assembled

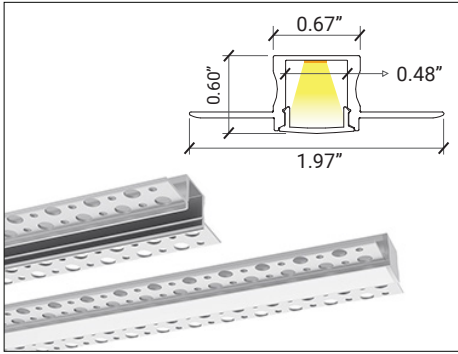


LP-LGC-RFT-2/ Recessed
Accessories Available, please refer to the channel spec sheet.

SERIES	EXT. LENGTH	FINISH	OPTICAL LENS	TAPE LIGHT
LP-LGC-RFT-2	2 - 2ft 4 - 4ft 8 - 8ft C - Custom	SI - Silver BK - Black WH - White	FTD - Flat Diffuser FTO - Flat Opal ¹ FTT - Flat Transparent ¹ FTB - Flat Black ¹	RL - Rolls PA - Pre-Assembled FA - Fully Assembled

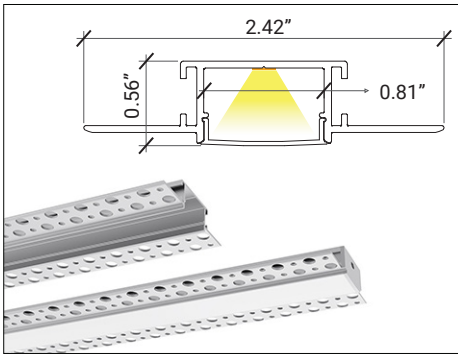


1 Consult factory for colors and optical lenses options.



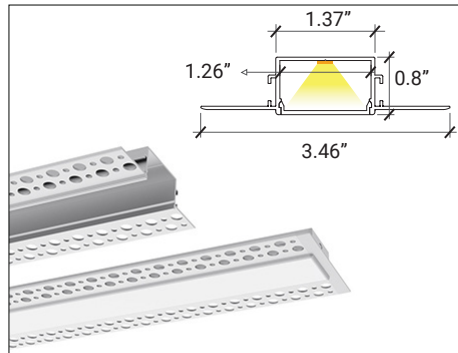
LP-LGC-RTL-075/ Trimless

SERIES	EXT. LENGTH	FINISH	OPTICAL LENS	TAPE LIGHT
LP-LGC-RTL-075	2 - 2ft 4 - 4ft 8 - 8ft C - Custom	SI - Silver BK - Black WH - White	FTD - Flat Diffuser FTO - Flat Opal ¹ FTT - Flat Transparent ¹ FTB - Flat Black ¹	RL - Rolls PA - Pre-Assembled FA - Fully Assembled



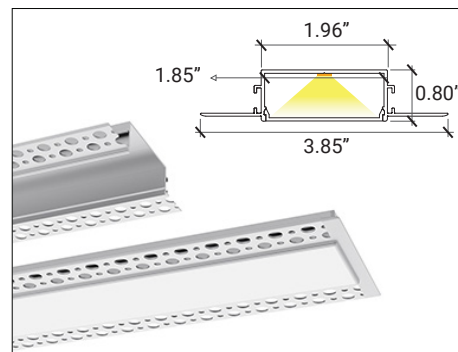
LP-MDC-RTL-1/ Trimless

SERIES	EXT. LENGTH	FINISH	OPTICAL LENS	TAPE LIGHT
LP-MDC-RTL-1	2 - 2ft 4 - 4ft 8 - 8ft C - Custom	SI - Silver BK - Black WH - White	FTD - Flat Diffuser FTO - Flat Opal ¹ FTT - Flat Transparent ¹ FTB - Flat Black ¹	RL - Rolls PA - Pre-Assembled FA - Fully Assembled



LP-SHC-RTL-2/ Trimless
Accessories Available, please refer to the channel spec sheet.

SERIES	EXT. LENGTH	FINISH	OPTICAL LENS	TAPE LIGHT
LP-SHC-RTL-2	2 - 2ft 4 - 4ft 8 - 8ft C - Custom	SI - Silver BK - Black WH - White	FTD - Flat Diffuser FTO - Flat Opal ¹ FTT - Flat Transparent ¹ FTB - Flat Black ¹	RL - Rolls PA - Pre-Assembled FA - Fully Assembled

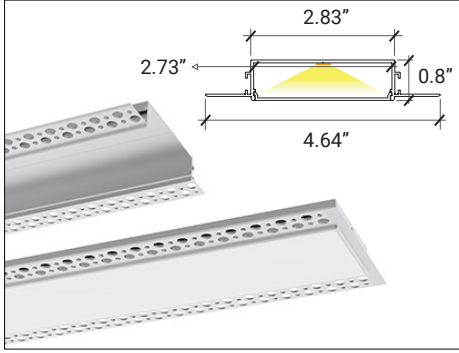


LP-MDC-RTL-2/ Trimless
Accessories Available, please refer to the channel spec sheet.

SERIES	EXT. LENGTH	FINISH	OPTICAL LENS	TAPE LIGHT
LP-MDC-RTL-2	2 - 2ft 4 - 4ft 8 - 8ft C - Custom	SI - Silver BK - Black WH - White	FTD - Flat Diffuser FTO - Flat Opal ¹ FTT - Flat Transparent ¹ FTB - Flat Black ¹	RL - Rolls PA - Pre-Assembled FA - Fully Assembled



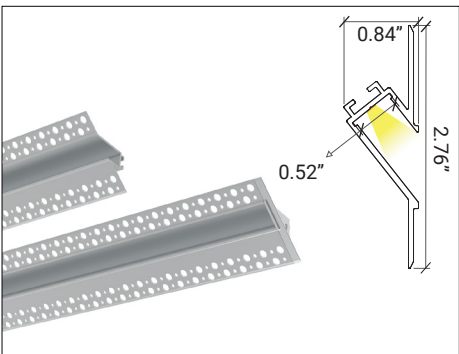
1 Consult factory for colors and optical lenses options.



LP-LGC-RTL-2/ Trimless

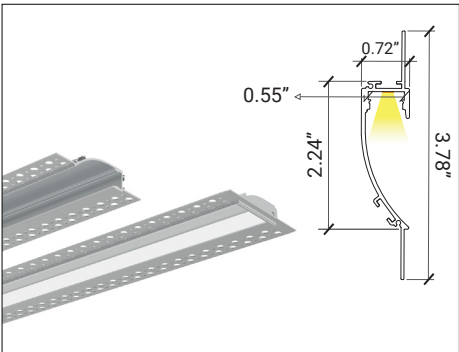
Accessories Available, please refer to the channel spec sheet.

SERIES	EXT. LENGTH	FINISH	OPTICAL LENS	TAPE LIGHT
LP-LGC-RTL-2	2 - 2ft 4 - 4ft 8 - 8ft C - Custom	SI - Silver BK - Black WH - White	FTD - Flat Diffuser FTO - Flat Opal ¹ FTT - Flat Transparent ¹ FTB - Flat Black ¹	RL - Rolls PA - Pre-Assembled FA - Fully Assembled



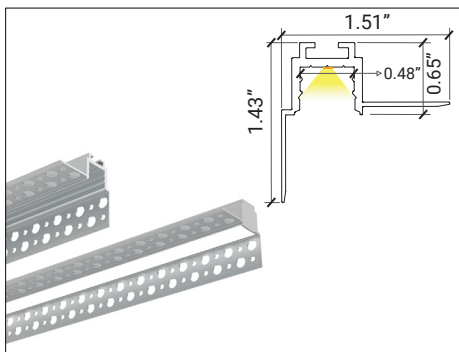
LP-LGC-WM-RTL-050/Wall Mount/Trimless

SERIES	EXT. LENGTH	FINISH	TAPE LIGHT
LP-LGC-WM-RTL-050	2 - 2ft 4 - 4ft 8 - 8ft C - Custom	SI - Silver BK - Black WH - White	RL - Rolls PA - Pre-Assembled FA - Fully Assembled



LP-MDC-WM-RTL-050/Wall Mount/Trimless

SERIES	EXT. LENGTH	FINISH	OPTICAL LENS	TAPE LIGHT
LP-MDC-WM-RTL-050	2 - 2ft 4 - 4ft 8 - 8ft C - Custom	SI - Silver BK - Black WH - White	FTD - Flat Diffuser FTO - Flat Opal ¹ FTT - Flat Transparent ¹ FTB - Flat Black ¹	RL - Rolls PA - Pre-Assembled FA - Fully Assembled

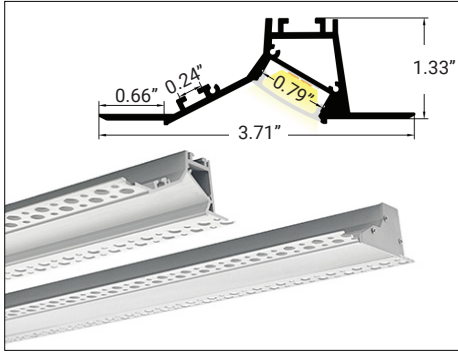


LP-MDC-PR-050/ Wall Mount

SERIES	EXT. LENGTH	FINISH	OPTICAL LENS	TAPE LIGHT
LP-MDC-PR-050	2 - 2ft 4 - 4ft 8 - 8ft C - Custom	SI - Silver BK - Black WH - White	FTD - Flat Diffuser FTO - Flat Opal ¹ FTT - Flat Transparent ¹ FTB - Flat Black ¹	RL - Rolls PA - Pre-Assembled FA - Fully Assembled

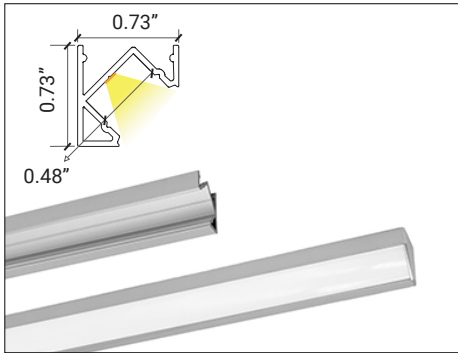


1 Consult factory for colors and optical lenses options.



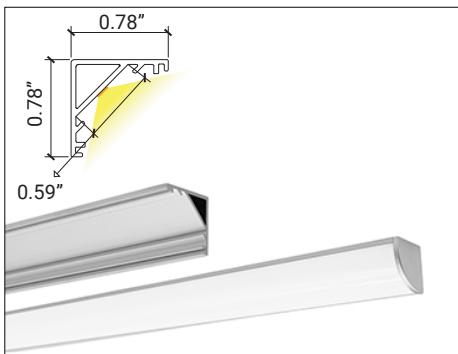
LP-MDC-WW-RTL-075/ Wall Washer

SERIES	EXT. LENGTH	FINISH	OPTICAL LENS	TAPE LIGHT
LP-MDC-WW-RTL-075	2 - 2ft 4 - 4ft 8 - 8ft C - Custom	SI - Silver BK - Black WH - White	FTD - Flat Diffuser FTO - Flat Opal ¹ FTT - Flat Transparent ¹ FTB - Flat Black ¹	RL - Rolls PA - Pre-Assembled FA - Fully Assembled



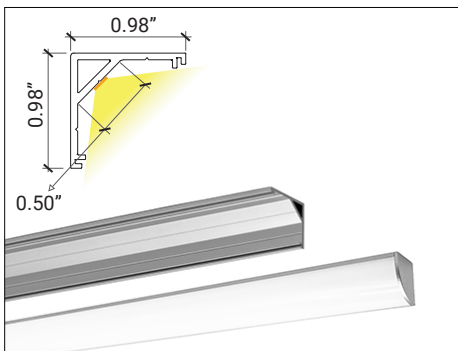
LP-MDC-S90-075/ Surface Corner

SERIES	EXT. LENGTH	FINISH	OPTICAL LENS	TAPE LIGHT
LP-MDC-S90-075	2 - 2ft 4 - 4ft 8 - 8ft C - Custom	SI - Silver BK - Black WH - White	FTD - Flat Diffuser FTO - Flat Opal ¹ FTT - Flat Transparent ¹ FTB - Flat Black ¹	RL - Rolls PA - Pre-Assembled FA - Fully Assembled



LP-LGC-S90-075/ Surface Corner

SERIES	EXT. LENGTH	FINISH	OPTICAL LENS	TAPE LIGHT
LP-LGC-S90-075	2 - 2ft 4 - 4ft 8 - 8ft C - Custom	SI - Silver BK - Black WH - White	90D - 90° Diffuser 90O - 90° Opal ¹ 90T - 90° Transparent ¹ 90B - 90° Black ¹ COD - Corner Diffuser COP - Corner Opal ¹ COT - Corner Transparent ¹ COB - Corner Black ¹	RL - Rolls PA - Pre-Assembled FA - Fully Assembled

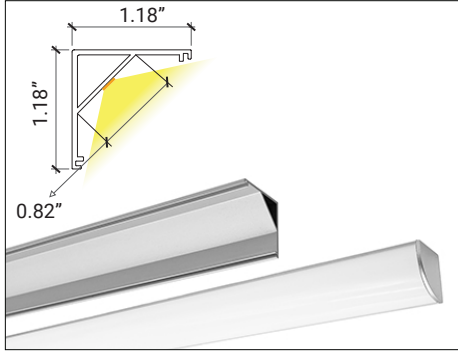


LP-LGC-S90-1/ Surface Corner

SERIES	EXT. LENGTH	FINISH	OPTICAL LENS	TAPE LIGHT
LP-LGC-S90-1	2 - 2ft 4 - 4ft 8 - 8ft C - Custom	SI - Silver BK - Black WH - White	90D - 90° Diffuser 90O - 90° Opal ¹ 90T - 90° Transparent ¹ 90B - 90° Black ¹ COD - Corner Diffuser COP - Corner Opal ¹ COT - Corner Transparent ¹ COB - Corner Black ¹	RL - Rolls PA - Pre-Assembled FA - Fully Assembled

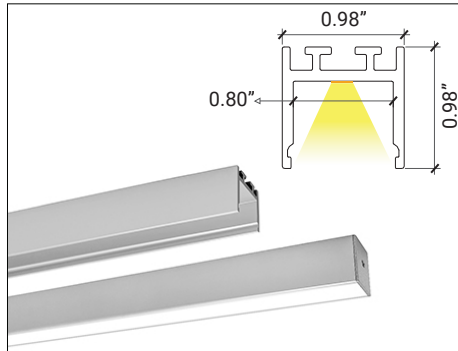


1 Consult factory for colors and optical lenses options.



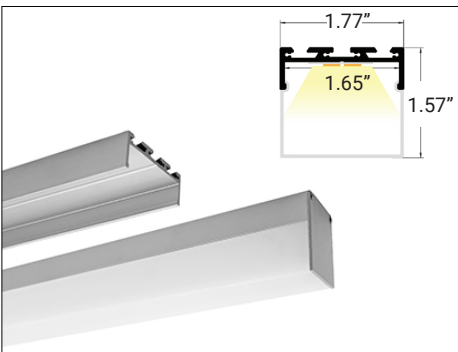
LP-LGC-S90-2/ Surface Corner

SERIES	EXT. LENGTH	FINISH	OPTICAL LENS	TAPE LIGHT
LP-LGC-S90-2	2 - 2ft 4 - 4ft 8 - 8ft C - Custom	SI - Silver BK - Black WH - White	90D - 90° Diffuser 90O - 90° Opal ¹ 90T - 90° Transparent ¹ 90B - 90° Black ¹ COD - Corner Diffuser COP - Corner Opal ¹ COT - Corner Transparent ¹ COB - Corner Black ¹	RL - Rolls PA - Pre-Assembled FA - Fully Assembled



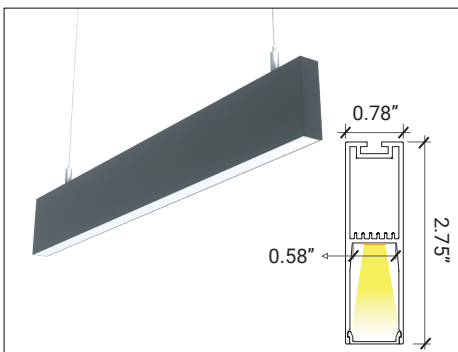
LP-MDC-SPD-1/ Suspended

SERIES	EXT. LENGTH	FINISH	OPTICAL LENS	CLIP	TAPE LIGHT
LP-MDC-SPD-1	2 - 2ft 4 - 4ft 8 - 8ft C - Custom	SI - Silver BK - Black WH - White	FTD - Flat Diffuser FTO - Flat Opal ¹ FTT - Flat Transparent ¹ FTB - Flat Black ¹	PC - Pendant Cable SC - Surface Clip	RL - Rolls PA - Pre-Assembled FA - Fully Assembled



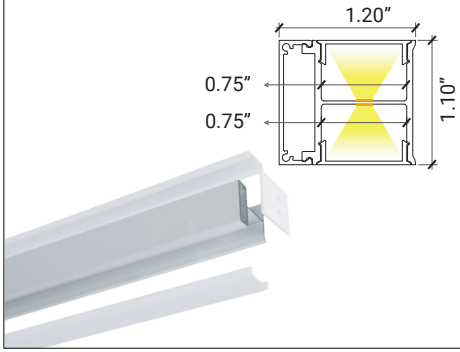
LP-SHC-SPD-2/ Suspended

SERIES	EXT. LENGTH	FINISH	OPTICAL LENS	TAPE LIGHT
LP-SHC-SPD-2	2 - 2ft 4 - 4ft 8 - 8ft C - Custom	SI - Silver BK - Black WH - White	FTD - Flat Diffuser FTO - Flat Opal ¹ FTT - Flat Transparent ¹ FTB - Flat Black ¹ 90D - 90° Diffuser 90O - 90° Opal ¹ 90T - 90° Transparent ¹ 90B - 90° Black ¹ TRD - Triangular Diffuser TRO - Triangular Opal ¹ TRT - Triangular Transparent ¹ TRB - Triangular Black ¹	RL - Rolls PA - Pre-Assembled FA - Fully Assembled



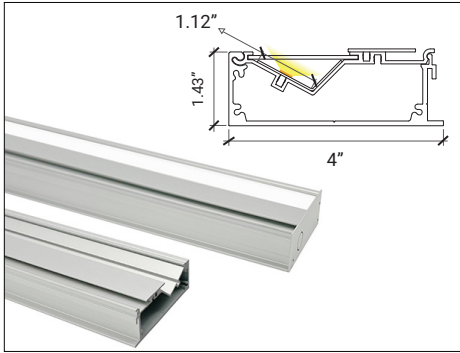
LP-MDC-SPD-2/ Suspended

SERIES	EXT. LENGTH	FINISH	OPTICAL LENS	TAPE LIGHT
LP-MDC-SPD-2	2 - 2ft 4 - 4ft 8 - 8ft C - Custom	BK - Black WH - White	FTD - Flat Diffuser FTO - Flat Opal ¹ FTT - Flat Transparent ¹ FTB - Flat Black ¹	RL - Rolls PA - Pre-Assembled FA - Fully Assembled



LP-MDC-WM-DI-1 / Surface / Up & Down Light

SERIES	EXT. LENGTH	FINISH	OPTICAL LENS	TAPE LIGHT
LP-MDC-WM-DI-1	2 - 2ft 4 - 4ft 8 - 8ft C - Custom	SI - Silver BK - Black WH - White	FTD - Flat Diffuser FTO - Flat Opal ¹ FTT - Flat Transparent ¹ FTB - Flat Black ¹	RL - Rolls PA - Pre-Assembled FA - Fully Assembled



LP-MDC-WW-RTL-2 / Cove

SERIES	EXT. LENGTH	FINISH	OPTICAL LENS	TAPE LIGHT
LP-MDC-WW-RTL-2	2 - 2ft 4 - 4ft 8 - 8ft C - Custom	SI - Silver BK - Black WH - White	FTD - Flat Diffuser FTO - Flat Opal ¹ FTT - Flat Transparent ¹	RL - Rolls PA - Pre-Assembled FA - Fully Assembled

RGBW / Wall Controller (RF Signal)

This solution enables the strip light to function with a wall controller (RF signal). It includes the following components:

Driver – Powers the strip light.

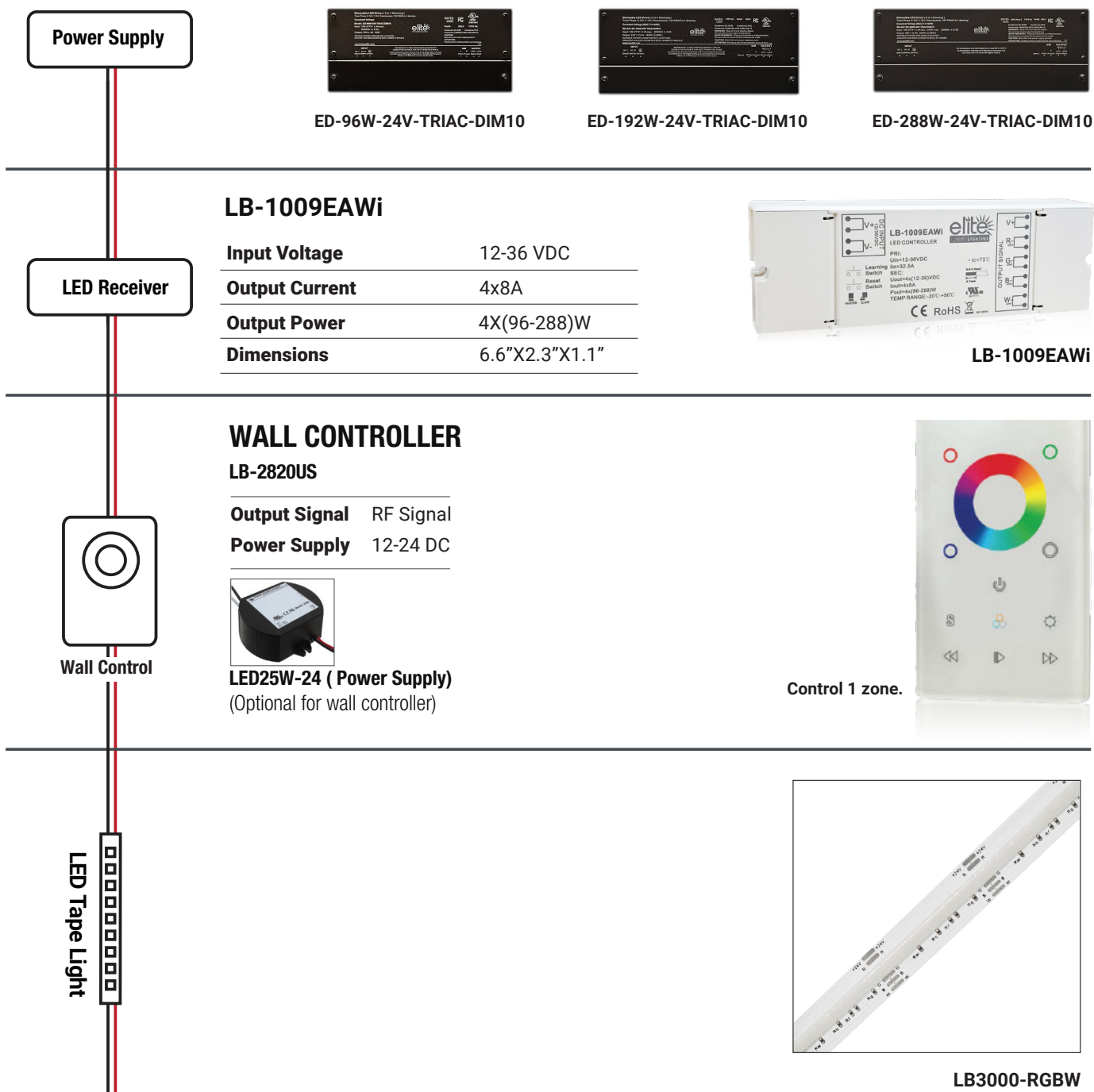
Receiver – Receives signals from the wall controller to control the strip light.

Wall Controller (RF Signal) – Used to control the strip light remotely.

LED25W-24 Power Supply – Connected to the wall controller to convert the 120V AC from the wall outlet to 24V DC, which is necessary for the controller to function.

This configuration ensures seamless control of the strip light while maintaining the necessary power conversion and signal reception.

[Click on the images for detailed information.](#)



RGBW / Remote Controller (RF Signal)

This solution enables the strip light to function with a remote controller (RF signal). It includes the following components:

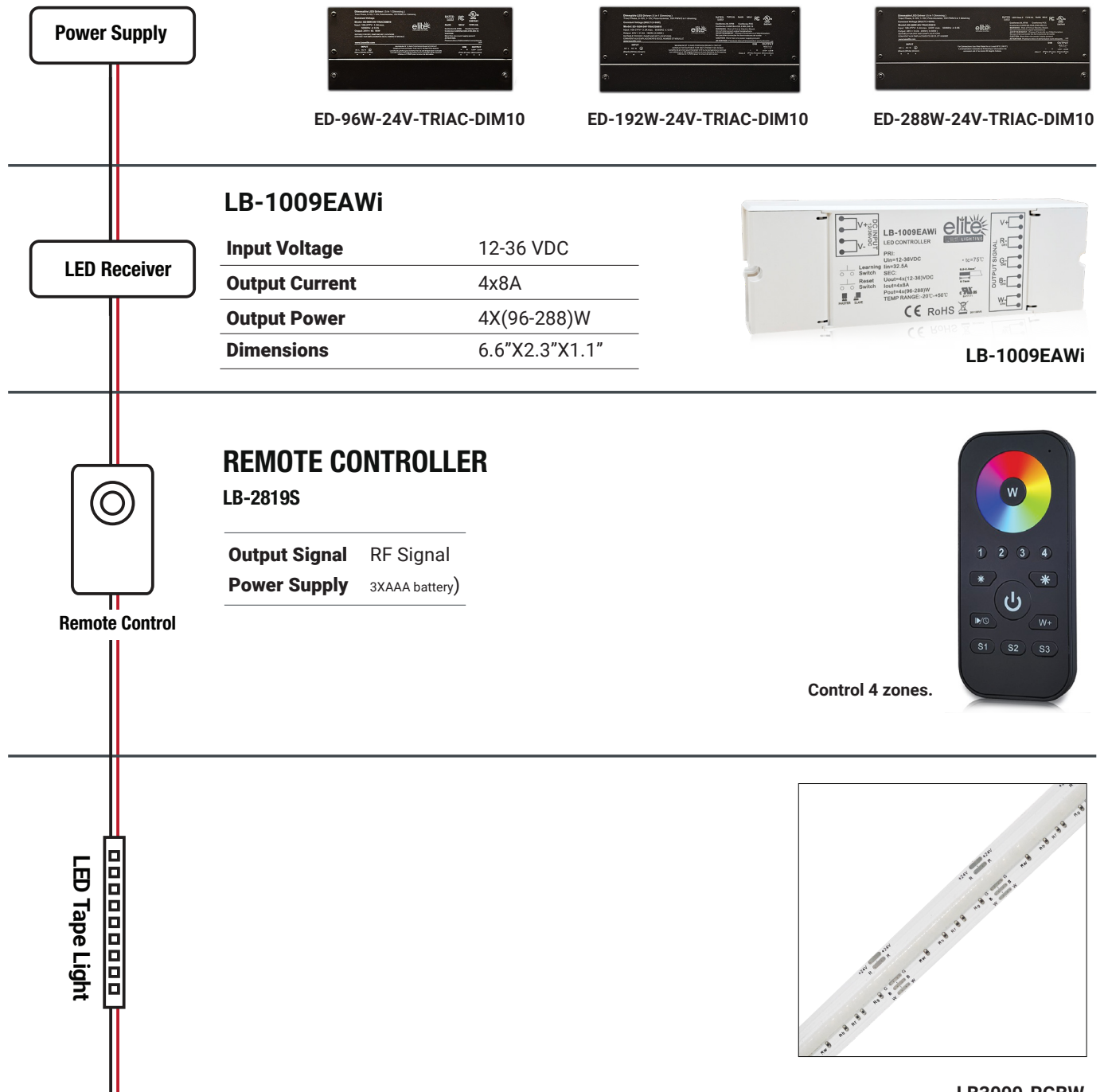
Driver – Powers the strip light.

Receiver – Receives signals from the wall dimmer controller to control the strip light.

Remote Controller (RF Signal) – Used to control the strip light remotely, powered by 3-AAA batteries.

This configuration ensures seamless control of the strip light while maintaining the necessary signal reception.

[Click on the images for detailed information.](#)



RGBW / Wall Dimmer Controller (RF Signal)

This solution enables the strip light to function with a wall dimmer controller (RF signal). It includes the following components:

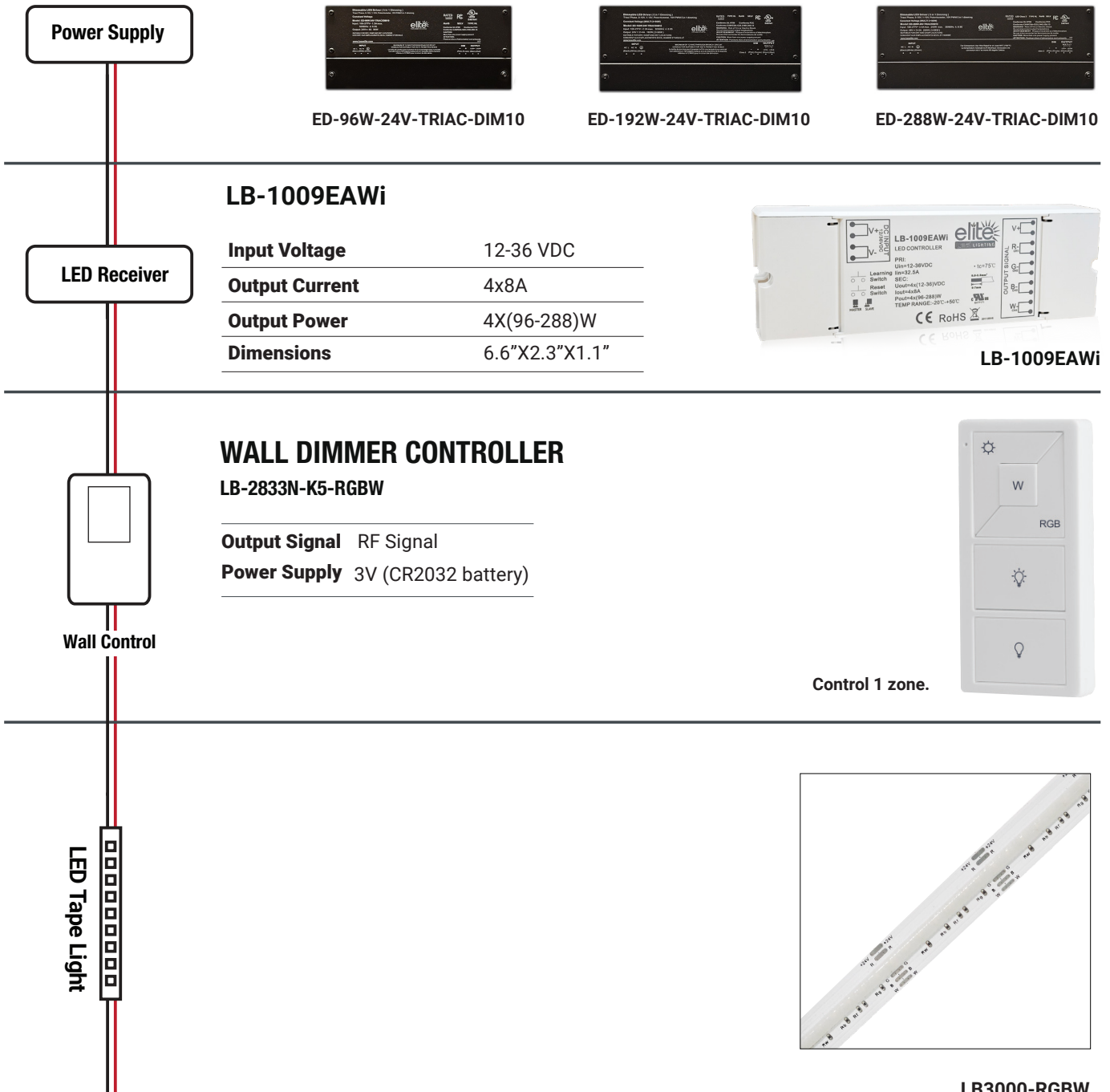
Driver – Powers the strip light.

Receiver – Receives signals from the wall dimmer controller to control the strip light.

Wall Dimmer Controller (RF Signal) – Used to control the strip light remotely, powered by a 3V CR2032 battery.

This configuration ensures seamless control of the strip light while maintaining the necessary signal reception.

[Click on the images for detailed information.](#)



RGBW / DMX Wired

This solution enables the RGBW strip light to function with a wired DMX system. It includes the following components:

Driver – Powers the RGBW strip light.

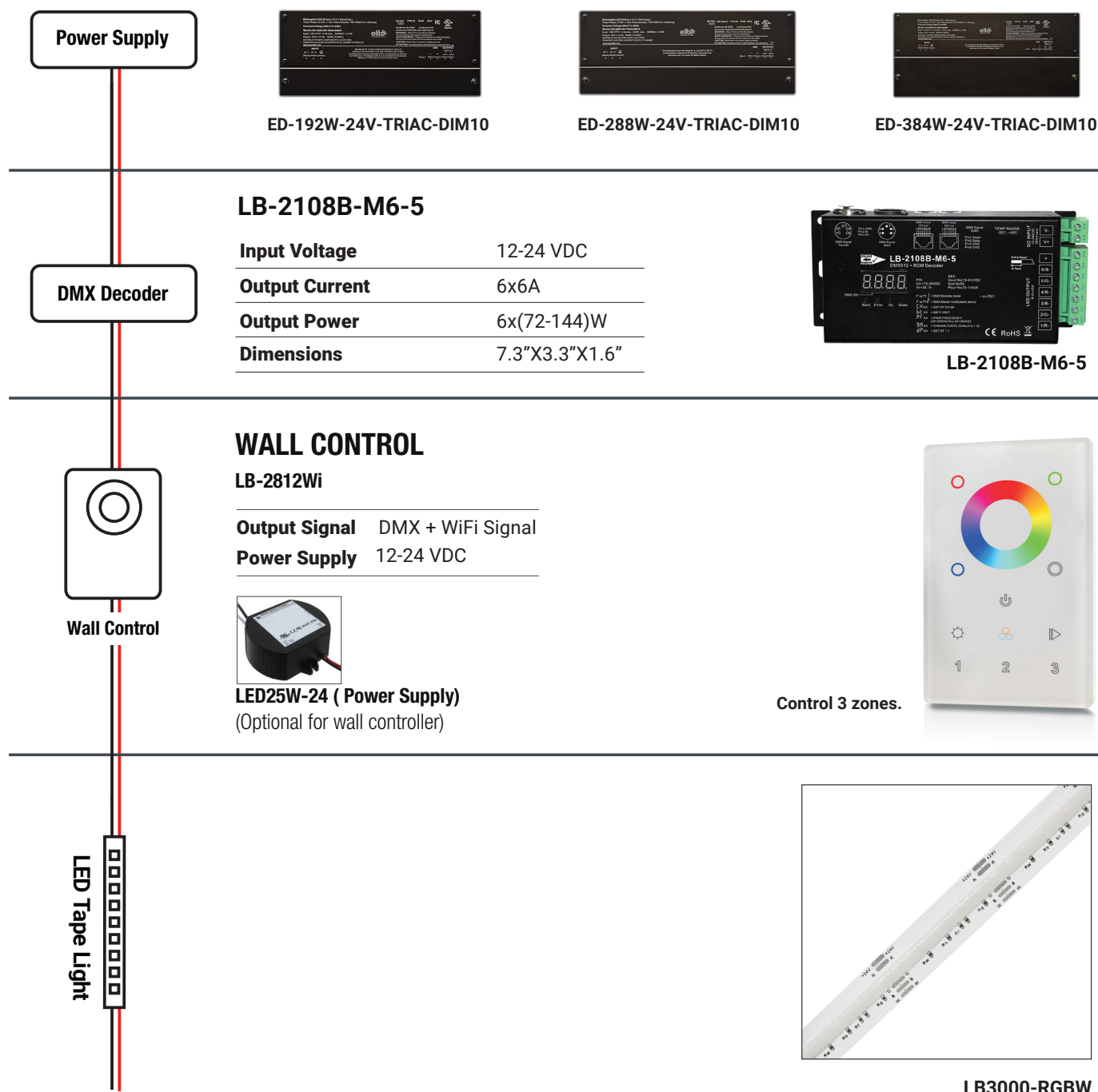
DMX Decoder – Receives the DMX signal (via a wired connection) and converts it into control signals for the RGBW strip light, adjusting the color and brightness.

Wall Controller – Sends the DMX signal to the DMX decoder, remotely controlling the RGBW strip light via a wired connection.

LED25W-24 Power Supply – Connected to the wall controller, this power supply converts the 120V AC from the wall outlet into 24V DC, which is necessary for the controller to function.

This configuration ensures precise, wired DMX control over the RGBW strip light, enabling full control of the light's color and brightness, while maintaining proper power conversion and signal reception.

[Click on the images for detailed information.](#)



RGBW / DMX (WiFi Signal)

This solution enables the RGBW strip light to function with a DMX WiFi system. It includes the following components:

Driver – Powers the RGBW strip light.

DMX Decoder – Receives the DMX signal (via a wired connection) and converts it into control signals for the RGBW strip light, adjusting color and brightness.

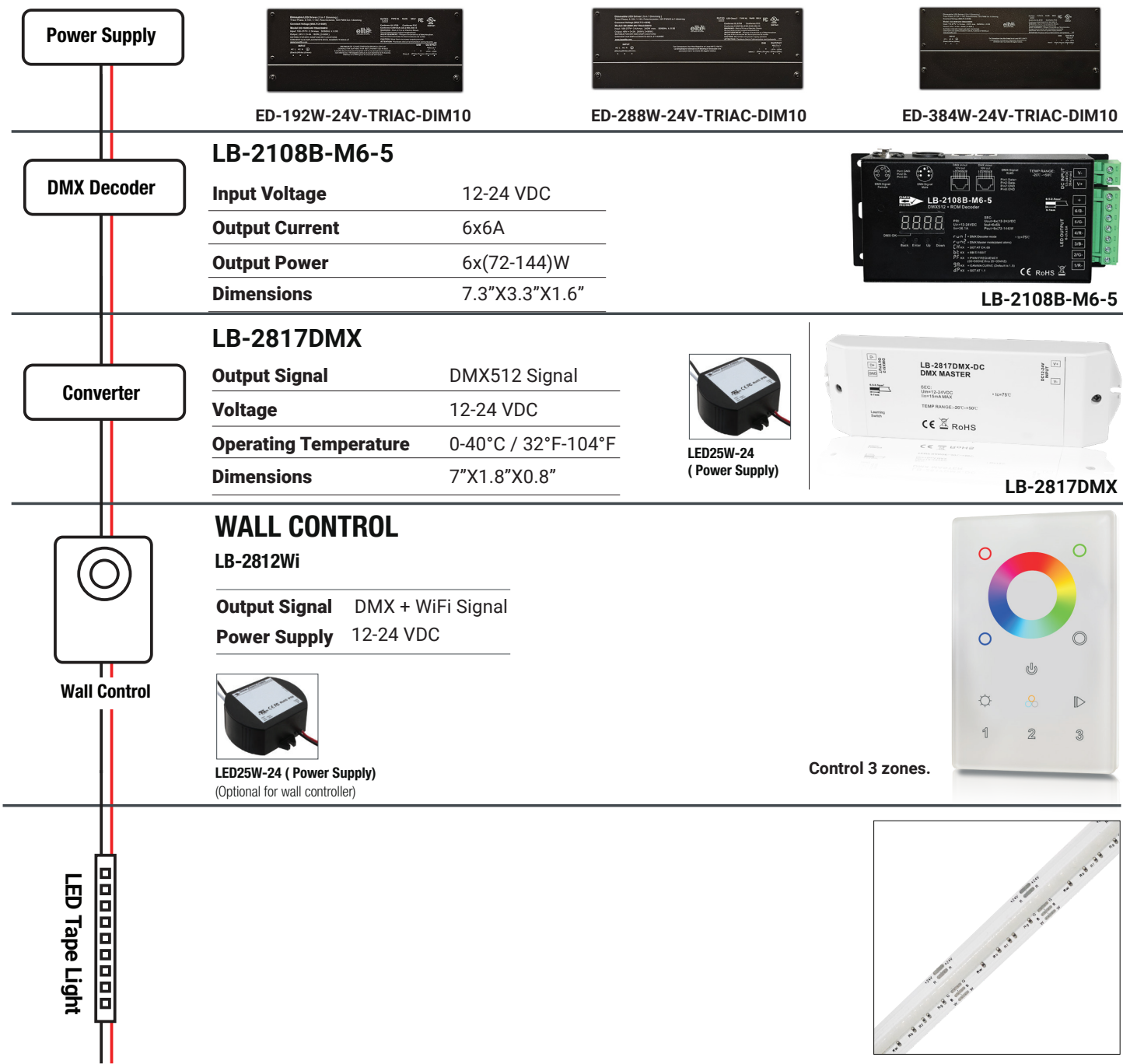
Converter – Wired to the DMX decoder, it processes the signals to ensure proper control of the RGBW strip light.

DMX-WIFI Wall Controller – Sends the DMX WiFi signal wirelessly to the converter, which then transmits the signal to the decoder and controls the strip light.

LED25W-24 Power Supply – Used in multiple locations: one powers the wall controller by converting 120V AC from the outlet to 24V DC, while another powers the converter.

This configuration ensures seamless, remote control of the RGBW strip light via the DMX WiFi system, allowing precise adjustments to color and brightness, while maintaining proper power conversion and signal processing across the entire setup.

[Click on the images for detailed information.](#)



RGBW / ELDOLED AC to DC - (DMX WiFi Signal)

This solution enables the RGBW strip light to function with an ELDOLED AC to DC-DMX WiFi system. It includes the following components:

ELDO LIN100M1 Driver – Powers the RGBW strip light and integrates the DMX decoder, converting the DMX signal to control signals for the strip light to adjust color and brightness.

Converter – Wired to the ELDO LIN100M1 Driver, it processes the control signals to ensure proper operation of the RGBW strip light.

DMX-WIFI Wall Controller – Sends the DMX WiFi signal wirelessly to the converter and ELDO LIN100M1 Driver, enabling remote control of the RGBW strip light.

LED25W-24 Power Supply – Used in multiple locations: one powers the wall controller by converting 120V AC from the outlet to 24V DC, while another powers the converter.

This configuration ensures seamless, remote control of the RGBW strip light through the ELDOLED AC to DC-DMX WiFi system, enabling precise control of color and brightness while maintaining proper power conversion and signal processing throughout the setup.

[Click on the images for detailed information.](#)



LIN100M1

Control Protocol	DMX/DALI
Driver Type	Constant Voltage
Max. LED Output Power	100W
SIZE	14.57"X1.61"X1.18"



LIN100M1



LB-2817DMX

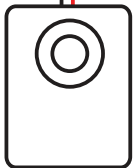
Output Signal	DMX512 Signal
Voltage	12-24 VDC
Operating Temperature	0-40°C / 32°F-104°F
Dimensions	7"X1.8"X0.8"



LED25W-24
(Power Supply)



LB-2817DMX



Wall Control

WALL CONTROL

LB-2812Wi

Output Signal	DMX + WiFi Signal
Power Supply	12-24 VDC



LED25W-24 (Power Supply)
(Optional for wall controller)



Control 3 zones.



LED Tape Light



LB3000-RGBW

RGBW / ELDOLED AC to DC - (DMX Wired)

This solution enables the RGBW strip light to function with the ELDOLED AC to DC - DMX Wired system. It includes the following components:

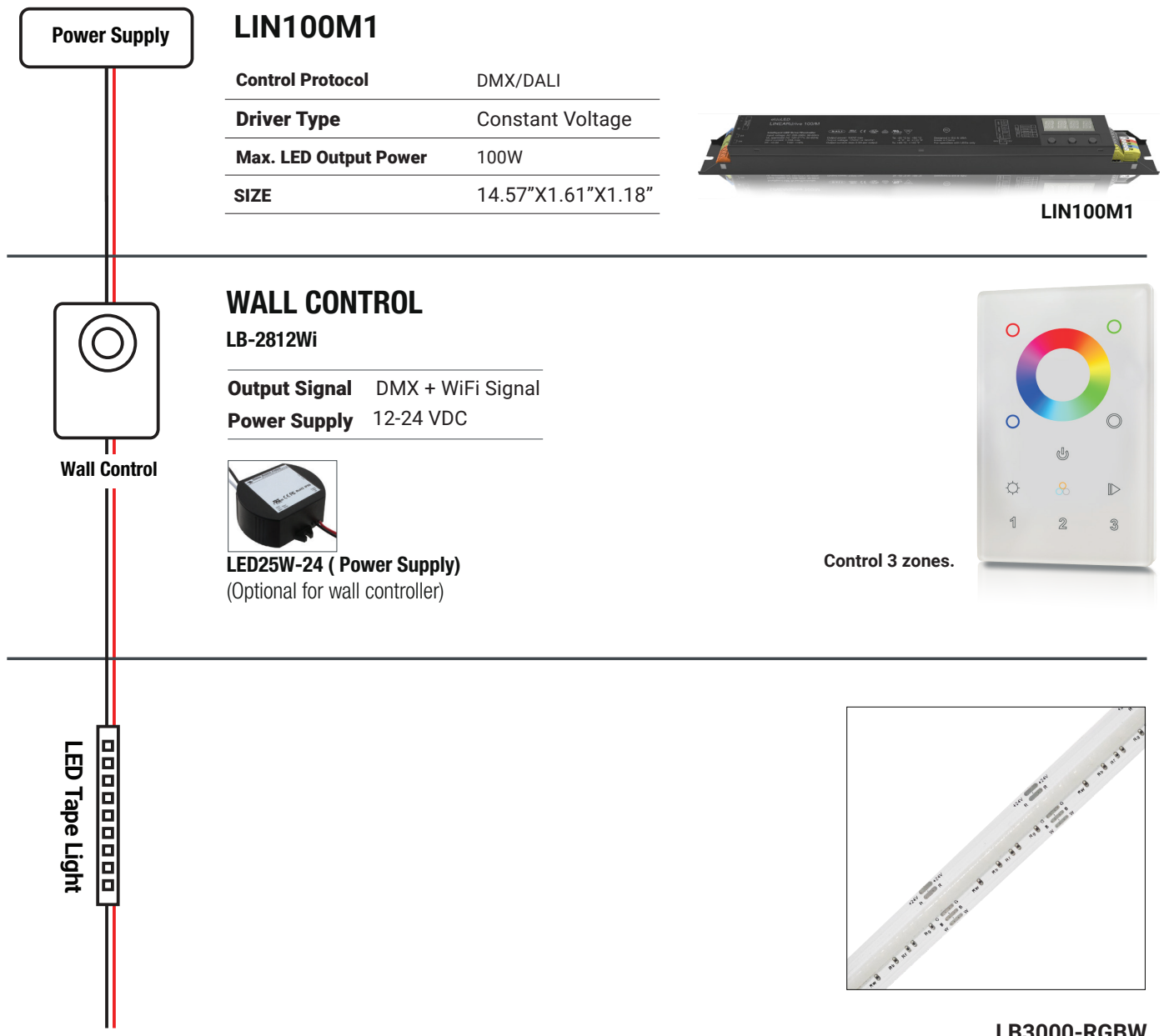
ELDO LIN100M1 Driver – Powers the RGBW strip light and integrates the DMX decoder, converting the DMX signal to control signals for the strip light to adjust color and brightness. This driver is central to the operation of the system.

DMX Wall Controller – Wired directly to the ELDO LIN100M1 Driver, it processes and manages the DMX control signals, enabling precise control of the strip light's color and brightness. It ensures that the system responds to the desired adjustments.

LED25W-24 Power Supply – provides power to the DMX controller by converting 120V AC from the outlet to 24V DC. The power supply ensures that the controller receives the proper voltage for operation.

This configuration ensures seamless, wired control of the RGBW strip light through the ELDOLED AC to DC - DMX Wired system. It allows for precise control of color and brightness while maintaining proper power conversion and signal processing throughout the setup.

[Click on the images for detailed information.](#)



RGBW / AC to DC (DMX WiFi)

This solution enables the RGBW strip light to function with a DMX512 Dimmable LED Driver AC to DC-DMX WiFi system. It includes the following components:

LB-2108-24-96CVF-UL Driver – Powers the RGBW strip light and integrates the DMX decoder, converting the DMX signal to control signals that adjust the color and brightness of the strip light.

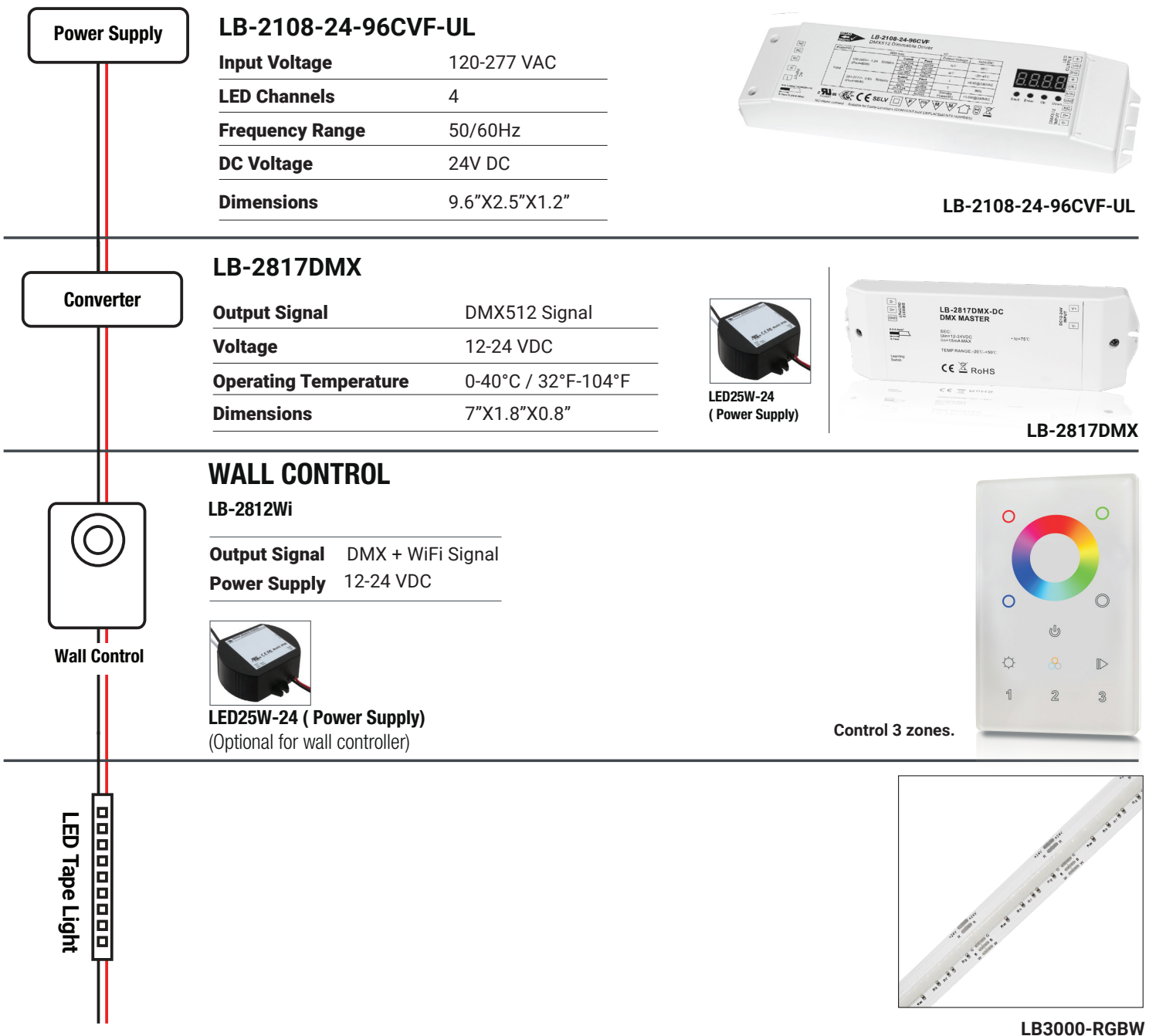
Converter – Wired to the LB-2108-24-96CVF-UL Driver, it processes the DMX control signals, ensuring the RGBW strip light operates properly, allowing for smooth adjustments to color and brightness.

DMX-WIFI Wall Controller – Sends the DMX WiFi signal wirelessly to the converter and the LB-2108-24-96CVF-UL Driver, enabling remote control of the RGBW strip light.

LED25W-24 Power Supply – Used in multiple locations: one powers the wall controller by converting 120V AC from the outlet to 24V DC, while another powers the converter, ensuring all components receive the proper voltage.

This configuration ensures seamless, remote control of the RGBW strip light through the DMX512 Dimmable LED Driver AC to DC-DMX WiFi system, providing precise control over the color and brightness of the strip light, while maintaining proper power conversion and signal processing throughout the system.

[Click on the images for detailed information.](#)



RGBW / AC to DC - (DMX Wired)

This solution enables the RGBW strip light to function with the DMX512 Dimmable LED Driver AC to DC - DMX Wired system. It includes the following components:

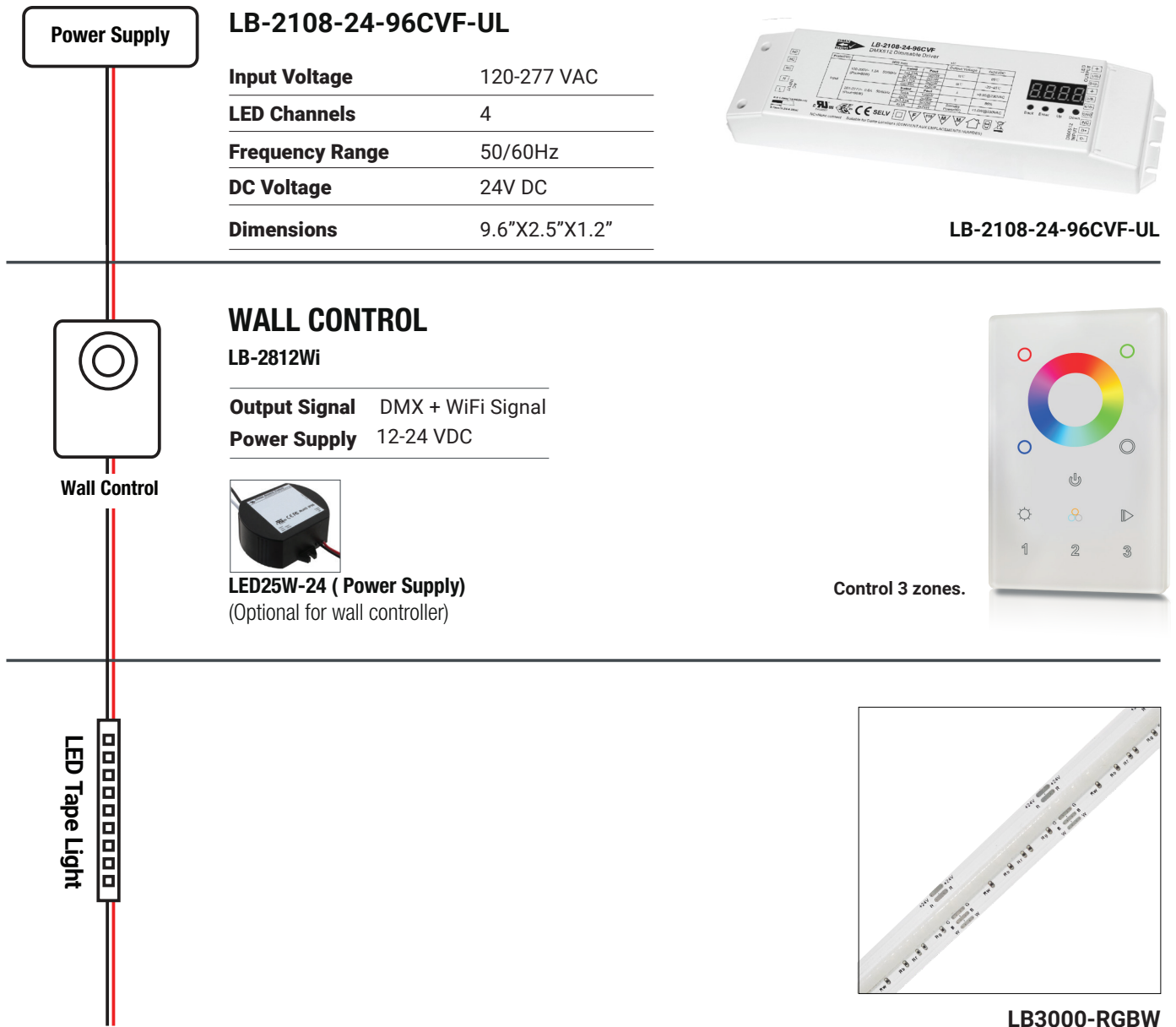
LB-2108-24-96CVF-UL Driver – Powers the RGBW strip light and integrates the DMX decoder, converting the DMX signal to control signals for the strip light to adjust color and brightness. This driver is central to the operation of the system.

DMX Wall Controller – Wired directly to the LB-2108-24-96CVF-UL Driver, it processes and manages the DMX control signals, enabling precise control of the strip light's color and brightness. It ensures that the system responds to the desired adjustments.

LED25W-24 Power Supply – Provides power to the DMX controller by converting 120V AC from the outlet to 24V DC. The power supply ensures that the controller receives the proper voltage for operation.

This configuration ensures seamless, wired control of the RGBW strip light through the DMX512 Dimmable LED Driver AC to DC - DMX Wired system. It allows for precise control of color and brightness while maintaining proper power conversion and signal processing throughout the setup.

[Click on the images for detailed information.](#)





LB-2812Wi RGBW DMX512+WiFi Controller

- DMX signal output, complies with standard protocol DMX512(1990), and compatible with DMX decoders from any other suppliers.
- Control 3 zones synchronously and separately.
- Ultra sensitive high strength glass touch panel with touch color wheel.
- Smooth and accurate color tone adjustment by touching the color wheel.
- Independent brightness adjustment of each RGBW channel to achieve millions of colors.
- Works with WiFi using the "EasyLighting" App on iOS and Android systems.

TECHNICAL DETAILS

Output Signal	DMX512+WiFi Signal
Power Supply	12-24 VDC
Power Consumption	<20 mA
Operating Temperature	0-40°C / 32°F-104°F
Dimensions	4.7"X2.9"X1.1"
Color	White

Certifications	FCC / RoHS
Zones	3
Indoor	IP20
Surface	Glass
Control	RGBW color
Warranty	5-Years limited warranty



LB-2820US RGBW Controller

- Touch sensitive.
- Glass interface.
- Compatible with all universal series RF receivers.
- Control RGBW color.
- Control 1 zone/area.

TECHNICAL DETAILS

Output Signal	RF Signal
Power Supply	12-24 DC
Power Consumption	< 15 mA
Operating Temperature	0-40°C / 32°F-104°F
Dimensions	2.9"X4.7"X1"
Frequency	916.5MHz
Color	White

Certifications	FCC / RoHS
Zones	1
Indoor	IP20
Surface	Glass
Channels	RGBW
Warranty	5-Years limited warranty



LB-2819S RGBW Remote Controller

- User friendly interface, easy and simple operation.
- Operation return function.
- Control up to 4 zones; each zone can be set with endless receivers. Each receiver can be controlled by a maximum of 8 different remotes.
- Set 3 scenes in each zone.
- Preset 10 changing modes with a pause function.
- One receiver can be paired with a maximum of 8 different remote controls.
- Enable dimming of the brightness for each R, G, B, W channel, allowing the mixing of millions of colors.
- Receivers can work with the WiFi-RF converter using the “Easylighting” app on IOS and Android systems.

TECHNICAL DETAILS

Output Signal	RF Signal
Power Supply	4.5V (3xAAA battery)
Operating Temperature	0-40°C / 32°F-104°F
Dimensions	4.7”X2”X0.66”
Color	Black

Certifications	FCC / RoHS
Zones	Control 4 Zones of RF receivers separately
Frequency	434MHz/869.5MHz/916.5MHz
Rated	IP20
Warranty	5-Years limited warranty



LB-2833N-K5-RGBW RF RGBW Dimmer

RF wireless RGBW Remote can control **1 zone of receiver**. This RGBW color controller is compatible with all universal series RF receivers. One receiver can be paired with a **maximum of 8 remote controllers**. This device contains a button lithium battery that should be stored and disposed of properly. **DO NOT expose the device to moisture.**

Output Signal	RF Signal
Power Supply	3V (CR2032 battery)
Operating Temperature	0-40°C / 32°F-104°F
Dimensions	2.5”X1.2”X0.35”
Zones	Control 1 Zone of receiver
Frequency	916.5MHz
Rated	IP20
Warranty	5-Years limited warranty



LED25W-24 (Power Supply) Optional for Wall Controller

Total Power: 25 Watts
 Input Voltage: 100-277 VAC
 UL Dry & Damp Location Rated
 IP66
 High Efficiency
 High Power Factor
 Analog Dimming (0-10V)
 Black Magic Thermal Advantage, Plastic Housing

Compatible with: **LB-2820US - LB2812Wi - LB2817DMX.**



LB-2108B-M6-5 DMX512 & RDM Decoder

The **LB-2108B-M6-5** is an Ultra-Pro 6CH RDM DMX512 decoder equipped with master and decoder modes and RDM functionality. Encased in a metal housing and featuring a digital display, it can directly display data and easily set and show DMX addresses.

This device offers multiple types of DMX input/output ports, including RJ45, XLR, and standard screws. It provides a total of 6 PWM output channels, all with common anode configuration. The DMX channel quantity can be configured as either 1CH or 6CH, and the PWM output resolution ratio can be set to 8-bit or 16-bit. With adjustable decoding modes, the output PWM frequency ranges from 500Hz to 35KHz, and the output dimming curve gamma value can be adjusted from 0.1 to 9.9.

TECHNICAL DETAILS

Input Voltage	12-24 VDC
Output Current	6x6A
Output Power	6x(72-144)W
Dimensions	7.3"X3.3"X1.6"

Output PWM Frequency	500HZ - 35K HZ settable
Certifications	FCC / RoHS
Color	Black
Warranty	5-Years limited warranty



LB-1009EAWI RF+WiFi Receiver/LED Controller 4Channels

The RGBW controller LB-1009EAWI is a 12-36 VDC constant voltage RF and WiFi controller with 4 channel output, offering 8A per channel. It is compatible with a variety of RF remotes and apps installed on iOS and Android systems, enabling control of single-color, dual-color LEDs, and RGBW LEDs.

Multiple zones can be controlled separately or synchronously with endless receivers in each zone. Built-in changing patterns are available and can be saved to each zone. The brightness of each R, G, B, W channel can be adjusted separately to achieve millions of changing colors.

Thanks to the built-in WiFi to RF module, a significant advantage of this WiFi controller is its compatibility with RF remotes and apps on iOS and Android systems directly, without the need for a WiFi-RF converter.

A free app is available (Easylighting) from the App Store and Google Play. Simply download it on your iOS or Android device, then search and connect your mobile device WLAN to the WiFi controller network.

TECHNICAL DETAILS

Input Voltage	12-36 VDC
Output Current	4x8A
Output Power	4X(96-288)W
Dimensions	6.6"X2.3"X1.1"

Frequency	869.5/916.5/434mhz
Certifications	FCC / RoHS
Color	White
Warranty	5-Years limited warranty



LB-2817DMX DMX Converter

The **LB-2817DMX master** is a controller that receives RF or WiFi wireless signals from remote controllers, iOS, or Android mobile devices, and sends out **DMX512 signals to DMX decoders**, enabling remote or WiFi control of DMX controllers.

The master converts RF or WiFi signals to DMX signals, enabling wireless control. Easier and more convenient control can be achieved by pairing this RF and WiFi to DMX master with the **RF remote or WiFi controller, iOS, and Android devices**.

- User friendly interface, easy and simple operation.
- Operation return function.
- Control synchronously after installing app on iPhone, iPad and android.
- Memory function to remember the last color/scene.
- Enable dimming of the brightness for each R, G, B, W channel, allowing the mixing of millions of colors.

TECHNICAL DETAILS

Output Signal	DMX512 Signal
Voltage	12-24 VDC
Operating Temperature	0-40°C / 32°F-104°F
Dimensions	7"X1.8"X0.8"

Certifications	FCC / RoHS
Color	White
Warranty	5 Years limited warranty



LB-2108-24-96CVF-UL DMX512 Dimmable Driver

The LB-2108-24-96CVF is a UL, ENEC, and TUV approved RDM-enabled DMX 96W dimmable LED driver with 4 channels of 24VDC constant voltage output and a 100-277VAC universal input. The driver boasts a power factor of over 0.9 and efficiency exceeding 90%, ensuring smooth and deep dimming down to 0.1% without flickering or buzzing noise.

It supports DMX channel quantities of 1/2/3/4, configurable via buttons, allowing control of single-color, tunable white, and RGB/RGBW LED lighting. DMX addresses can be manually assigned using the buttons and displayed on the digital display. Compliant with DMX512(2008), DMX512-A, and RDM V1.0 (E1.20 - 2006 ESTA Standard) protocols, this DMX driver is compatible with universal DMX consoles, and its UL, ENEC, and TUV certification ensures high safety performance for worldwide use.

Various features can be configured via the visible numeric digital display and buttons, including DMX address, DMX channel quantity, PWM output resolution (8-bit or 16-bit), PWM output frequency (adjustable from 500Hz to ultra-high 30kHz, ideal for professional film lighting), GAMMA ray dimming curve value (adjustable from 0.1-9.9, with optional logarithmic and linear dimming), and DMX decoding modes (optional, with default mode set to dp1.1).

TECHNICAL DETAILS

Input Voltage	120-277 VAC
LED Channels	4
Frequency Range	50/60Hz
DC Voltage	24V DC
Dimensions	9.6"X2.5"X1.2"

Rated Power	Max. 96W (no minimum load required)
Certifications	FCC / RoHS
Color	White
Warranty	5 Years limited warranty



LIN100M1 DMX DRIVER

LINEARdrive gives you infinite color control for low-voltage LED applications, ranging from single color for accent and cove lighting to RGBW for full-color entertainment product solutions.

This constant voltage LED driver is DMX/DALI compatible and allows you to create your color or dynamic show without an external controller. Symbiosis ensures that the LED driver works seamlessly together with LED modules, controls, and intelligent luminaire elements.

TECHNICAL DETAILS

Output Voltage	12-24 VDC
LED output current	2.8A absolute maximum rating per output
Nominal input voltage range AC	120-250V (ENEC), 120-277V (UL)
Nominal input voltage DC	120-275V

Control Protocol	DMX/DALI
Driver Type	Constant Voltage
Max. LED Output Power	100W
SIZE	14.57"X1.61"X1.18"