



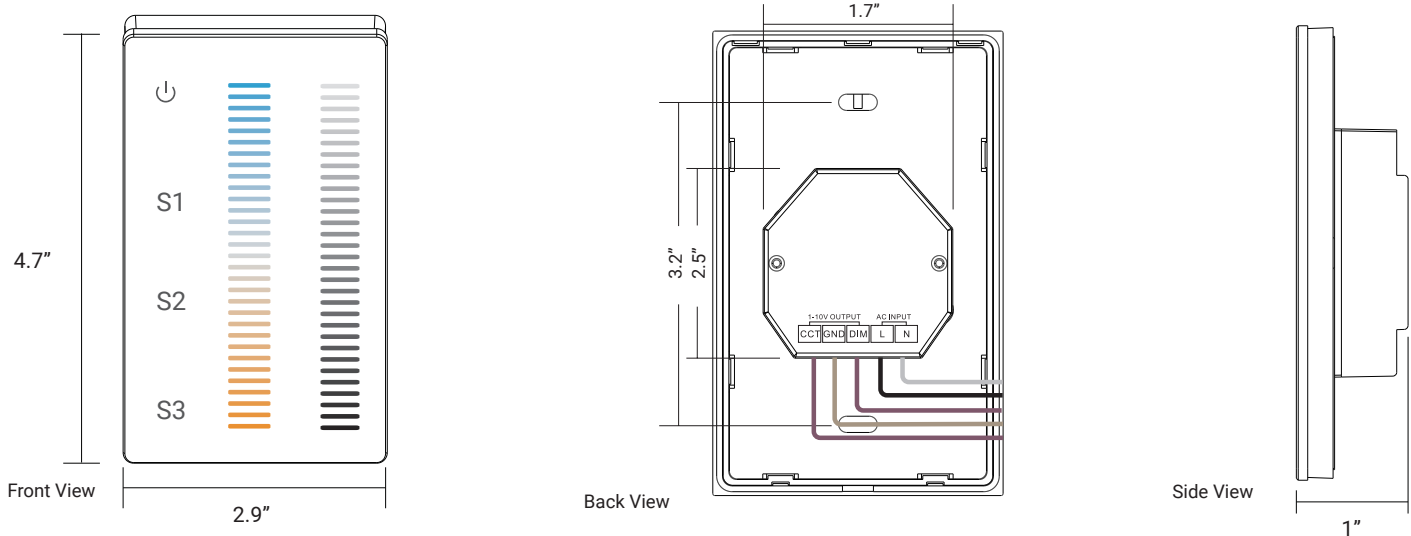
FEATURES

The **LB-2834-CCT** is a **full-touch controller that offers fast and accurate color** temperature adjustment and independent brightness dimming for each white. Designed with a touch color line in the middle, the **CCT controller can adjust the color temperature and brightness** for natural white, warm white, and cold white LEDs.

Can manage one zone, with the capability to connect to endless receivers within each zone. Users can save up to three different colors or scenes for each zone, providing versatility in lighting setups.

- Double touch sliders, one for Brightness and the other one for CCT adjustment.
- Control 1 zone with endless receivers in each zone.
- Save up to 3 colors/scenes for each zone.
- 1% - 100% dimming.
- 2 channels 1-10V signal output.
- Receivers can work with the WiFi-RF converter using the "Easylighting" or "Easyhome" app on IOS and Android systems.

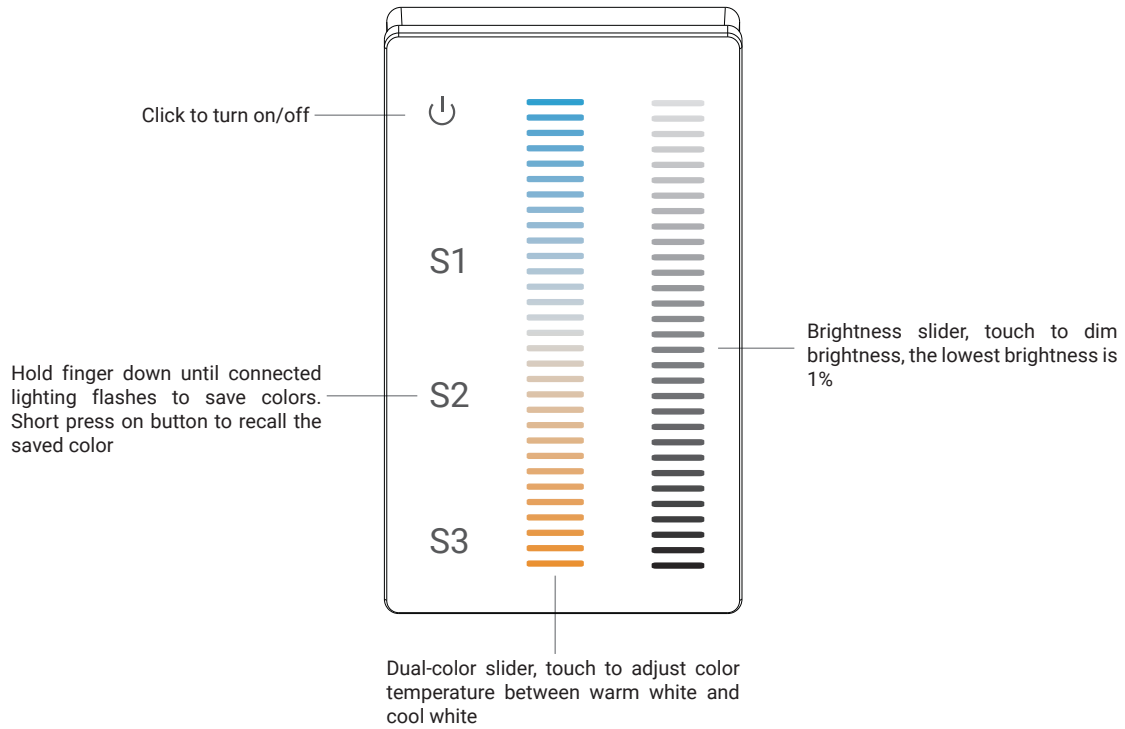
DIMENSIONS



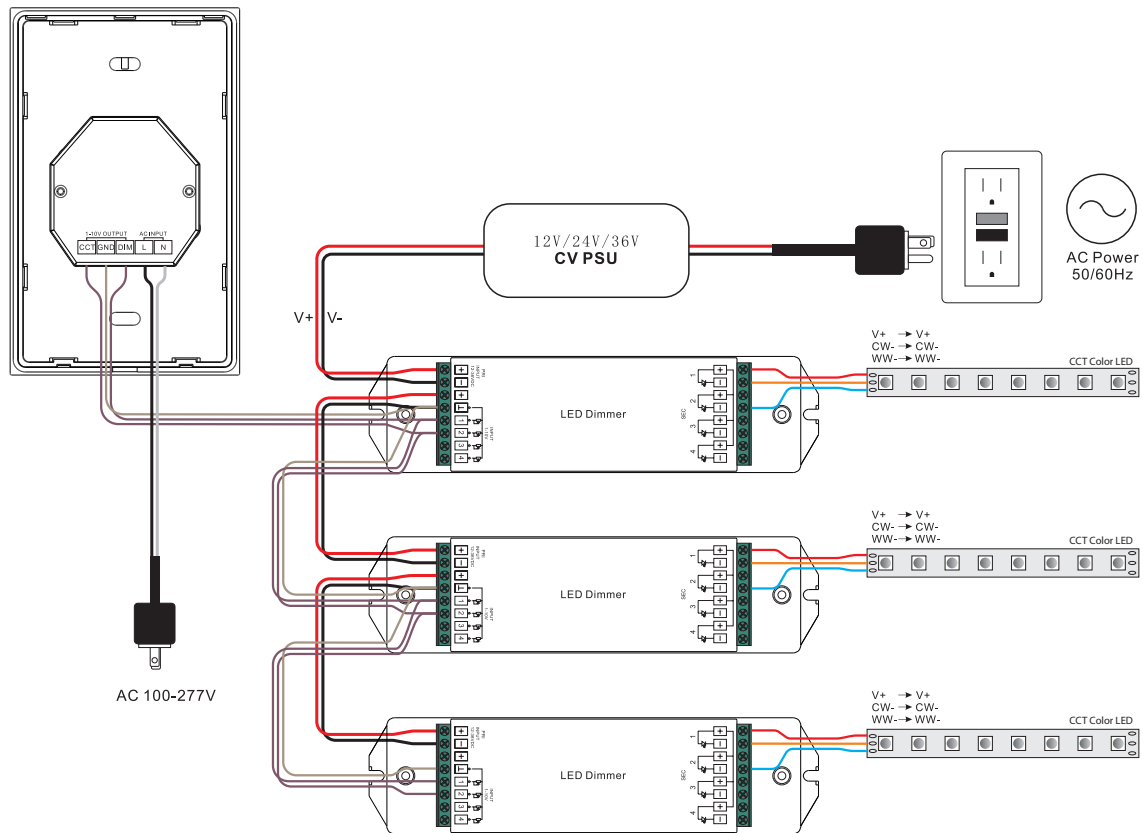
TECHNICAL DETAILS

| | | | |
|------------------------------|---------------------|-----------------------|--------------------------|
| Output Signal | 2X (1-10V) Signal | Color | White |
| Power Supply | 100-277VAC | Certifications | FCC / RoHS |
| Consumption Power | Max. 1.8W | Zones | 1 zone |
| Operating Temperature | 0-40°C / 32°F-104°F | Surface | Glass |
| Dimensions | 4.7"X2.9"X1" | Control | CCT controller |
| Mounting | Wall Mount | Warranty | 5 Years limited warranty |

MASTER CONTROL OPERATION

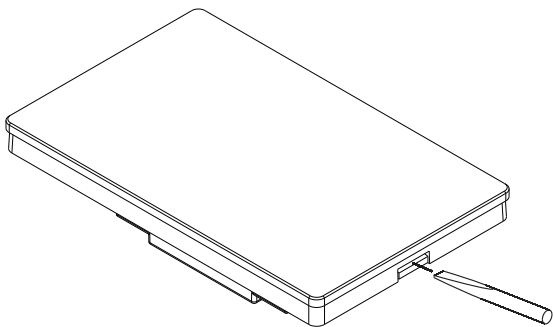


WIRING DIAGRAM



INSTALLATION

1
Detach the faceplate
using a flathead screwdriver.



2
Install on a regular
switchbox.

