

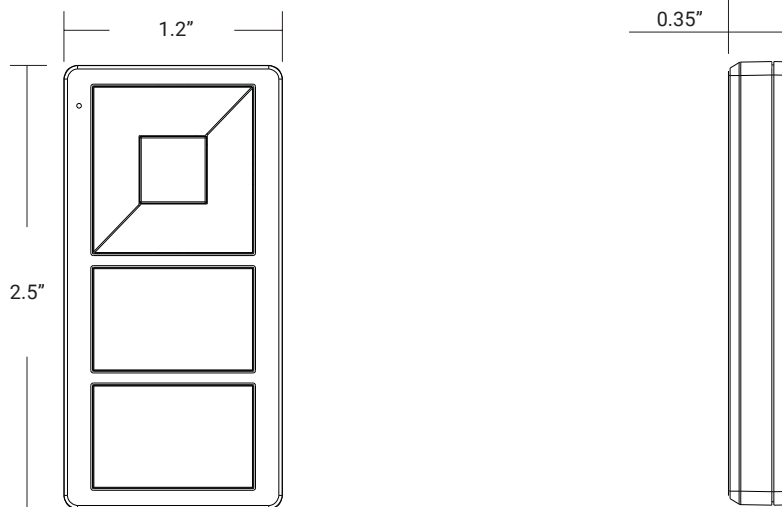


FEATURES

RF wireless RGBW Remote can control 1 zone of receiver. This RGBW color controller is compatible with all universal series RF receivers. **One receiver can be paired with a maximum of 8 remote controllers.** This device contains a button lithium battery that should be stored and disposed of properly. **DO NOT expose the device to moisture.**

- Control 1 zone of receiver.
- RGBW color controller.
- Compatible with all universal series RF receivers.
- 1 receiver can be paired by max 8 different remote controls.

DIMENSIONS

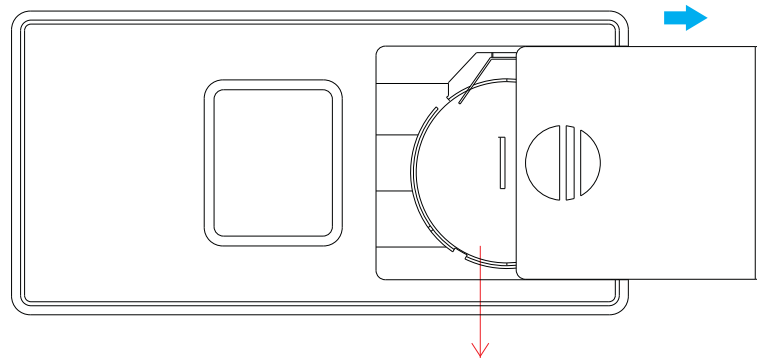
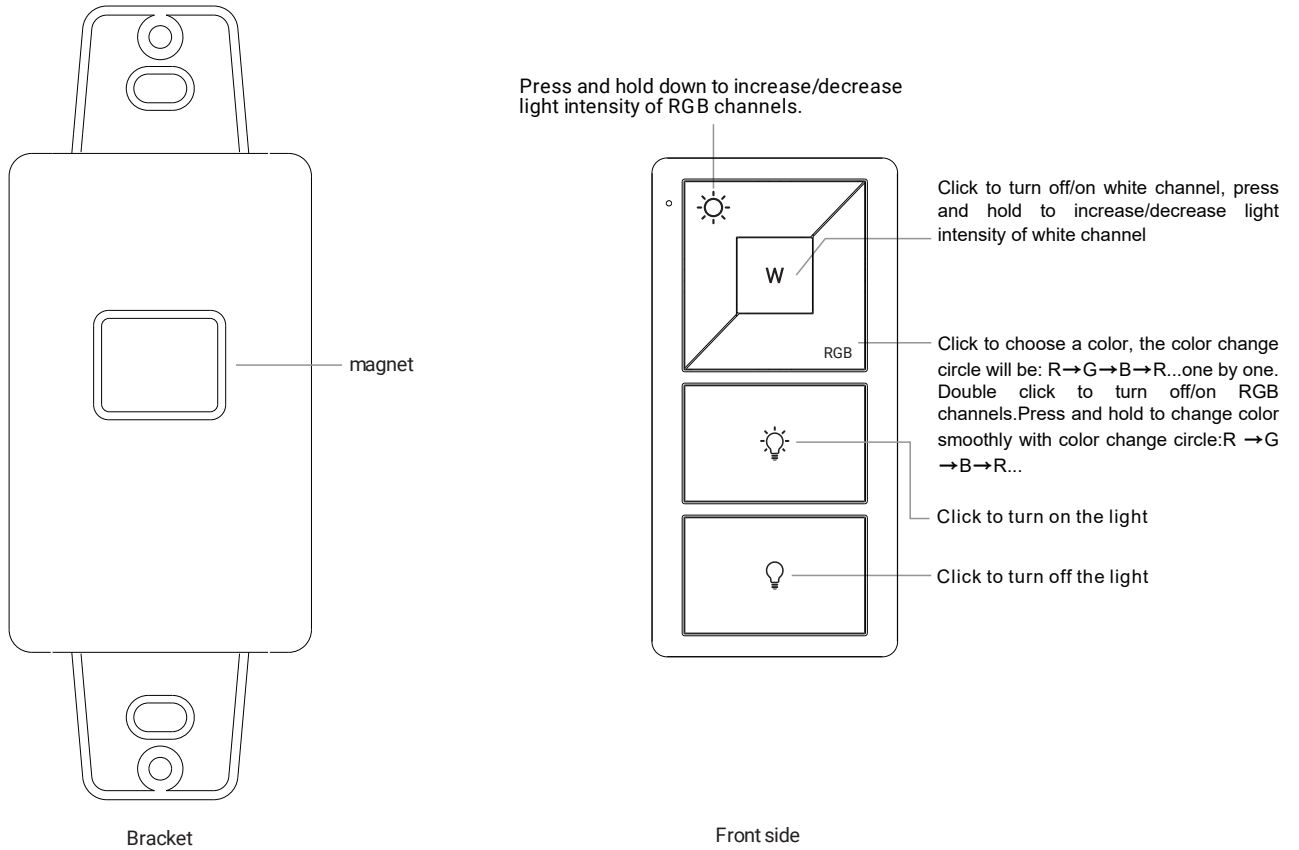


TECHNICAL DETAILS

Output Signal	RF Signal
Power Supply	3V (CR2032 battery)
Operating Temperature	0-40°C / 32°F-104°F
Dimensions	2.5"X1.2"X0.35"
Color	White

Certifications	FCC / RoHS
Zones	Control 1 Zone of receiver
Frequency	916.5MHz
Rated	IP20
Warranty	5 Years limited warranty

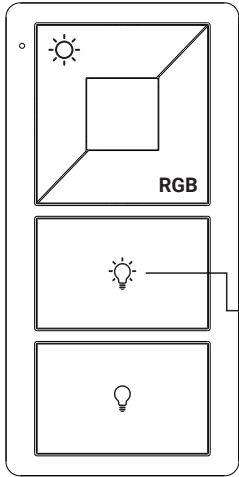
MASTER CONTROL OPERATION.



Note: Before the first use, please remove the protective film on the battery.

Back side


Pair With RF Receiver



Step 1: Wire the RF receiver according to the wiring diagram. (Please refer to the instruction manual of the RF receiver that you would like to pair with).



Step 2: Click the "Learning Key" button on the RF receiver or power on the receiver three times continuously to set it into pairing status.

Step 3: Click any button on the remote (e.g., button ) . LED lights connected to the RF receiver will flicker once, indicating successful pairing between the receiver and the remote.

NOTE: One receiver can be paired by max 8 different remote controls.

INSTALLATION

