



FEATURES

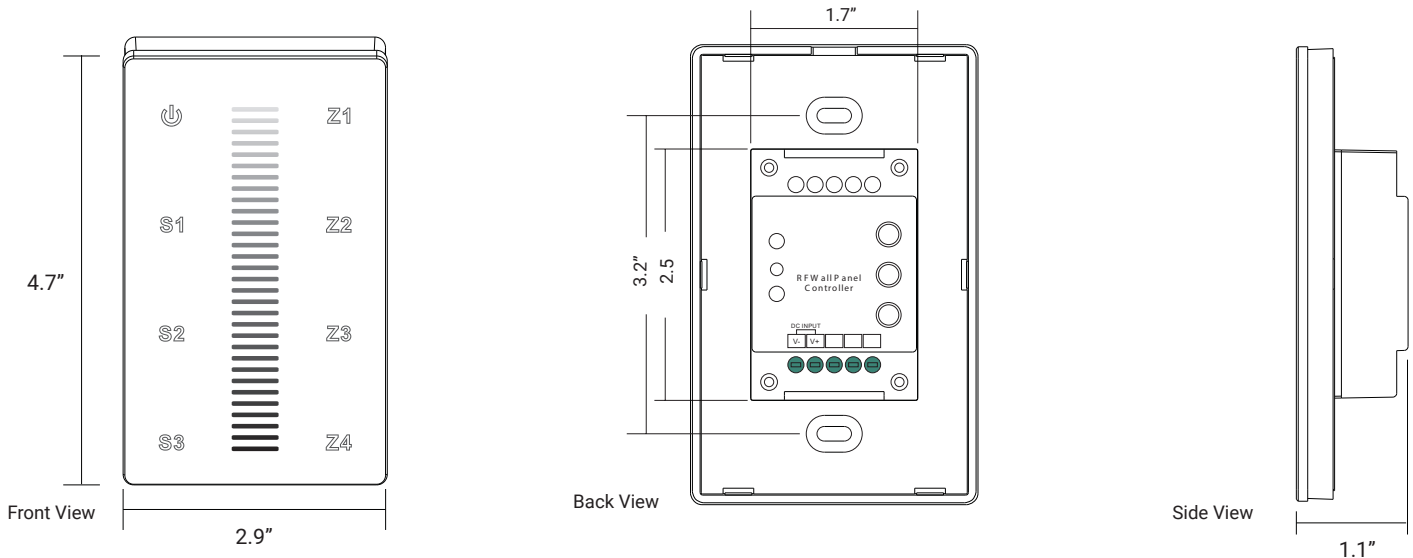
The RF LED touch dimmer switch LB-2830A is a full-touch LED controller that offers both on/off switching and smooth brightness dimming functions for multiple zones. It features a high-strength, ultra-sensitive touch glass panel and is designed with a touch color line, ensuring accurate and smooth dimming and switching functions **without any flickering**.

Each dimmer can independently control four different zones or synchronize with endless receivers in each zone. **Additionally, three brightness levels or scenes can be saved for each zone. The dimmer offers 256-level brightness** adjustment without any flickering.

The humanized backlighting function enables the LED dimmer switch to be easily found in the dark. When receivers are paired with a **WiFi-RF converter, they can be controlled via WiFi by installing the 'EasyLighting' app** on iOS and Android systems.

- Ultra-sensitive, high-strength glass touch panel features a color line for accurate, fast, and precise brightness control.
- Control 4 different zones separately or synchronously with endless receivers in each zone.
- Save 3 brightness or scenes for each zone.
- 256-level brightness adjustment for each zone.
- Receivers can work with WiFi-RF converter after installing "EasyLighting" app on iOS and android systems.

DIMENSIONS

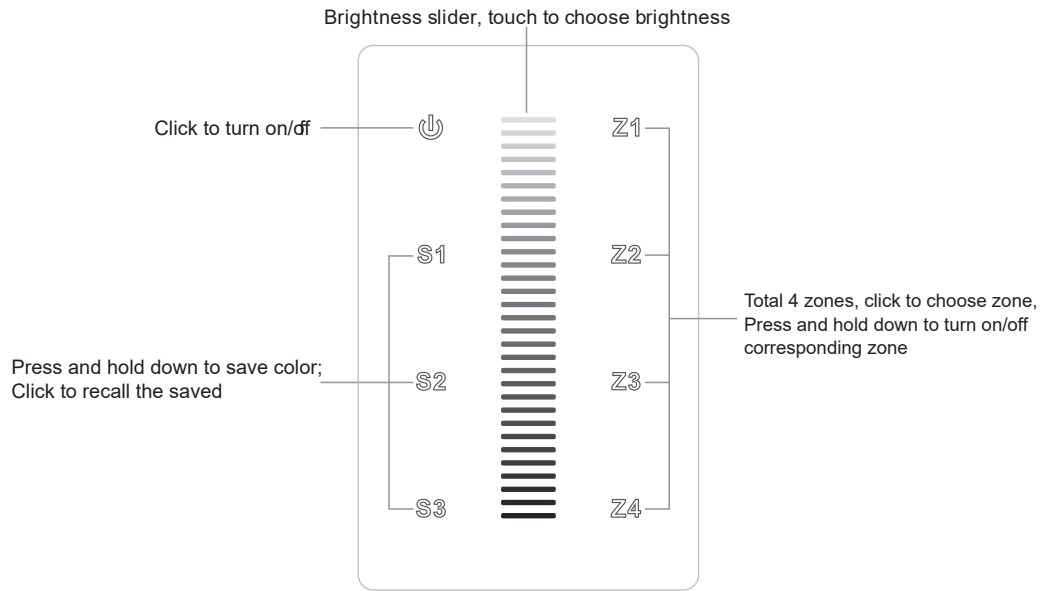


TECHNICAL DETAILS

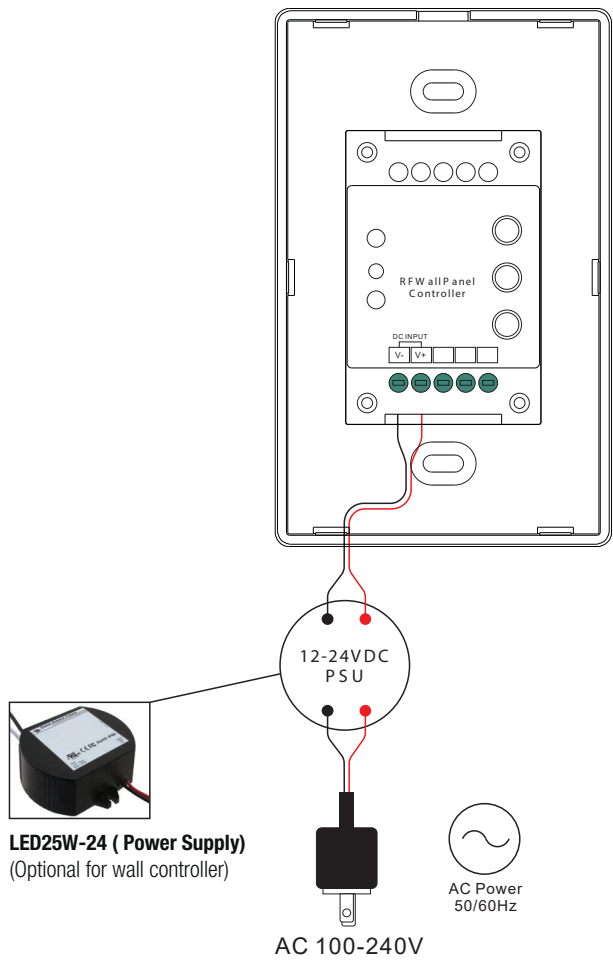
Output Signal	RF Signal
Power Supply	12-24 VDC
Power Consumption	<20 mA
Operating Temperature	0-40°C / 32°F-104°F
Dimensions	4.7"X2.9"X1.1"
Mounting	Wall Mount
Color	White

Certifications	FCC / RoHS
Zones	4
Frequency	916.5MHz
Surface	Glass
Control	Single Color
Warranty	5 Years limited warranty

MASTER CONTROL OPERATION.



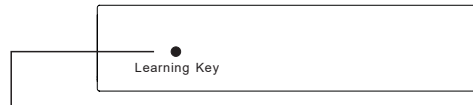
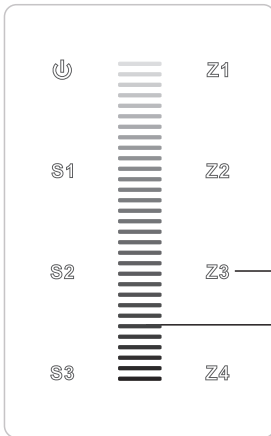
WIRING DIAGRAM



MASTER CONTROL OPERATION.

1. Wire the wall panel and RF receiver according to the wiring diagram (please refer to the next pages for instructions)
2. Power on, then touch the button to activate the controller; the indicator of the controller will turn blue.

Pair with RF receiver

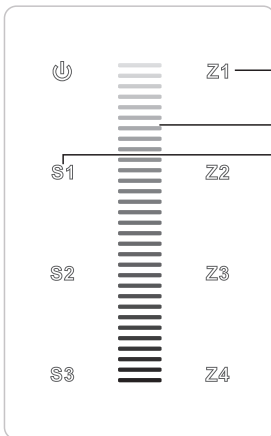


Step 1: Click the learning key button on the RF receiver or power on the receiver three times continuously to set it into pairing status.

Step 2: Choose and click a zone number (e.g., Zone 3).

Step 3: Touch the slider; if the LED lights connected with the RF receiver flicker once, it means the receiver is successfully paired with Zone 3

Save color/Scene/Mode

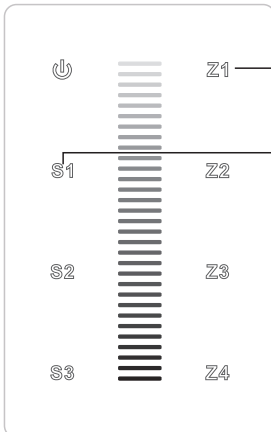


Step 1: Choose and click one or multiple paired zone numbers (e.g., Zone 1).

Step 2: Touch the slider to select the scene you like.

Step 3: Press and hold any scene button of S1/S2 (e.g., S1); if the LED lights connected with the RF receiver flicker once, it means the color/scene was saved successfully.

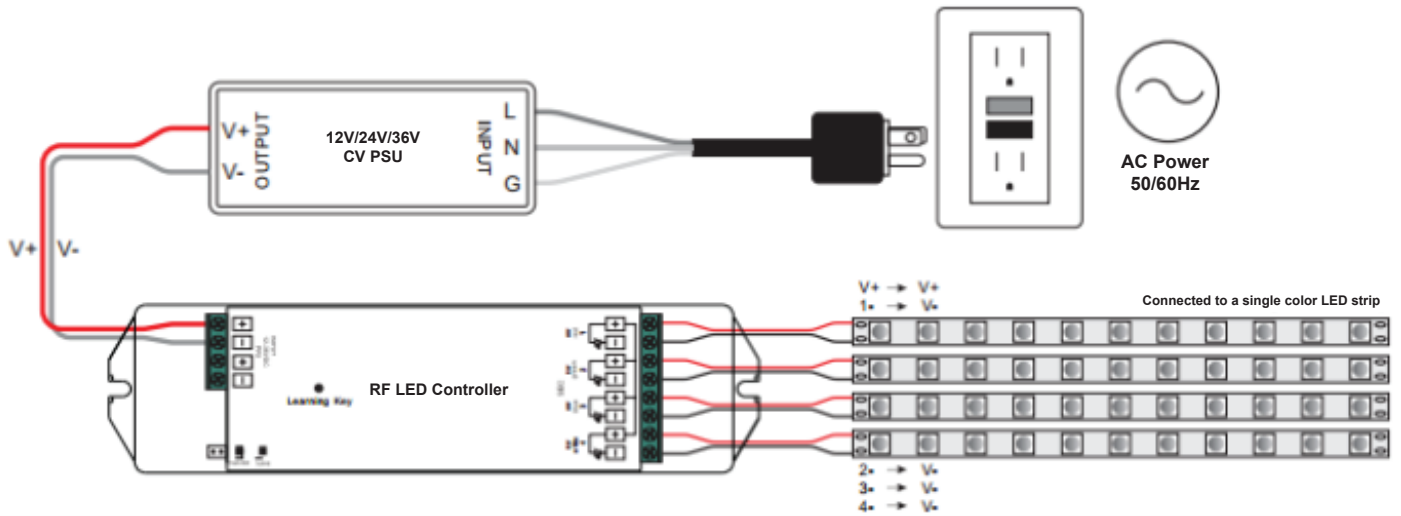
Recall the saved colors/scenes



Step 1: Choose and click one or multiple paired zone numbers (e.g., Zone 1).

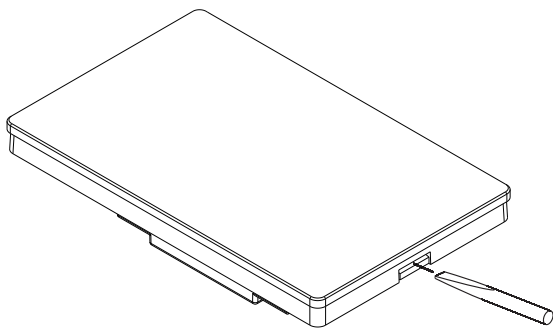
Step 2: Click any scene button of S1/S2 (e.g., S1) to recall the saved scene.

RECEIVER WIRING DIAGRAM

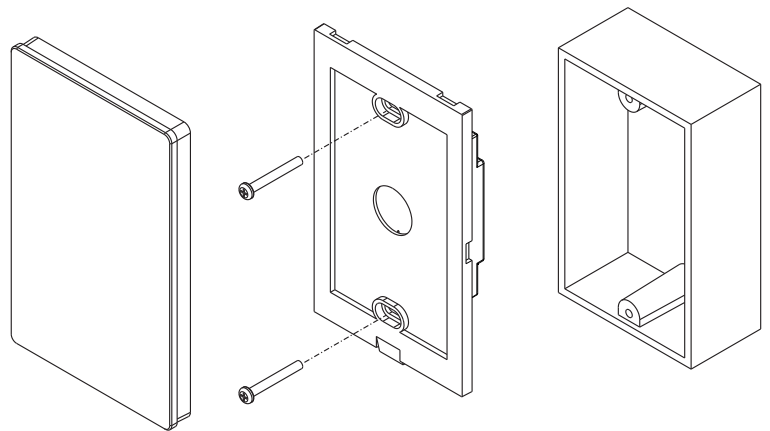


MOUNTING

1
Detach the faceplate using a flathead screwdriver.



2
Install on a regular switchbox.



EASYLIGHTING APP

• To download the 'Easylighting' app, search for 'easylighting' on the App Store or Google Play, or scan the QR codes.



Android



iOS