



## FEATURES

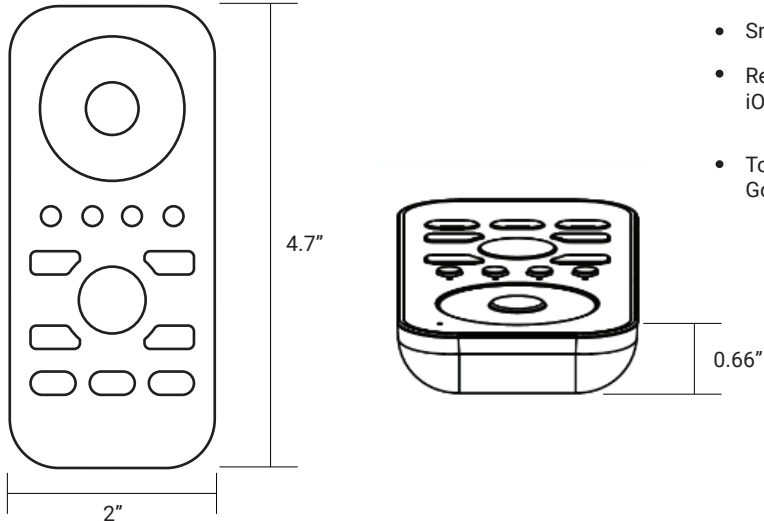
The RF LED color temperature controller LB-2819SCCT is a remote controller designed for fast and accurate adjustment of color temperature and independent brightness dimming for each white LED. Featuring a touch color wheel, this controller allows for adjustment of color temperature for natural white, warm white, and cold white LEDs.

Each controller can independently control 4 different zones or synchronize with endless receivers in each zone. **Additionally, 3 different kelvin or scenes can be saved for each zone. The controller offers smooth dimming of each white, ranging from 0.1% to 100%**, enabling the controller to achieve millions of colors.

A user-friendly memory function allows the controller to remember the last kelvin setting after being turned off or disconnected. **When receivers are paired with a WiFi-RF converter, they can be controlled via WiFi by installing the app on iOS and Android systems.**

- Ultra sensitive touch control color touch wheel.
- Control up to 4 zones; each zone can be set with endless receivers. 1 receiver can be paired by max 8 different remote controls.
- Save 3 kelvins/scenes for each zone.
- Control distance around 20-30 meters.
- Accurate and smooth color temperature and brightness adjustment for natural white, warm white, and cold white LEDs.
- 256-level brightness adjustment for each white to achieve millions of color temperatures.
- Smooth dimming without any flickering from 0.1% to 100%.
- Receivers can function with an RF-WIFI converter after installing software on iOS and Android systems.
- To download the 'Easylighting' app, search for 'easylighting' on the App Store or Google Play, or scan the QR codes.

## DIMENSIONS



Android



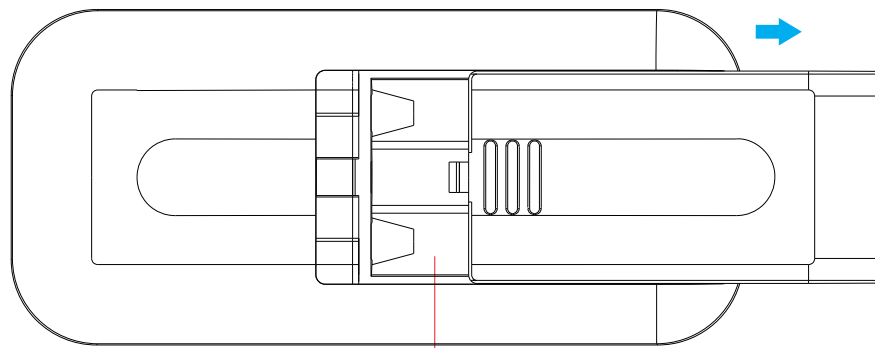
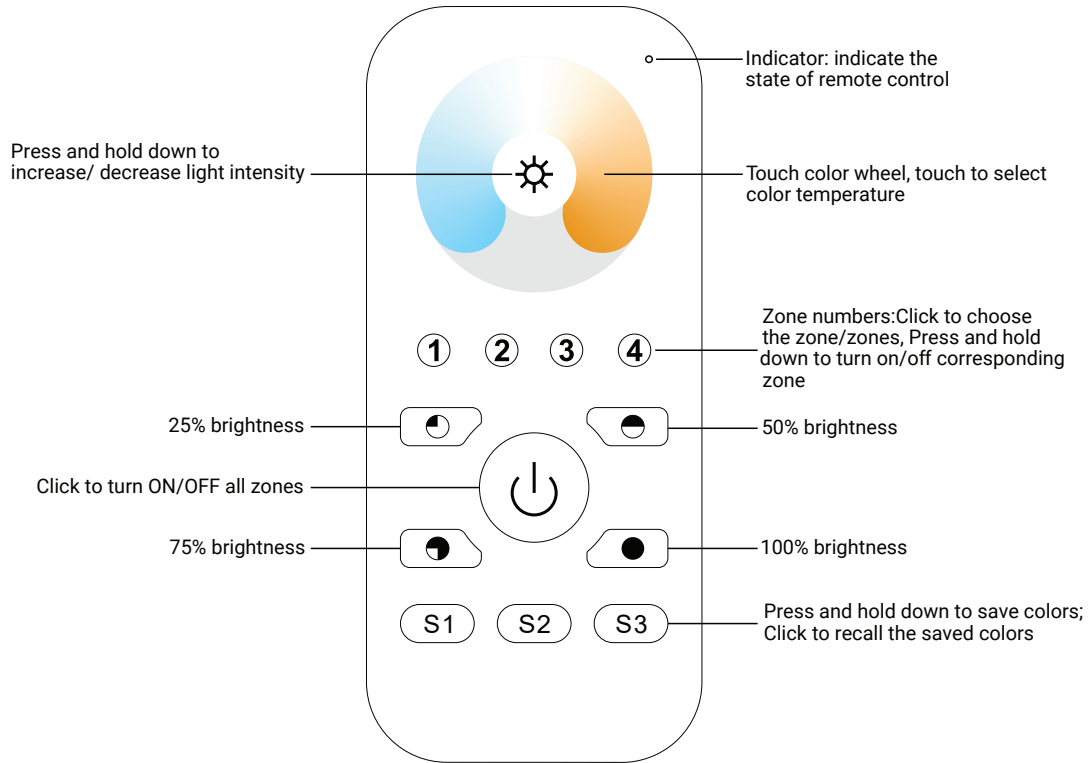
iOS

## TECHNICAL DETAILS

<b>Output Signal</b>	RF Signal
<b>Power Supply</b>	4.5V (3xAAA battery)
<b>Operating Temperature</b>	0-40°C / 32°F-104°F
<b>Dimensions</b>	4.7"X2"X0.66"
<b>Color</b>	Black

<b>Certifications</b>	FCC / RoHS
<b>Zones</b>	Control 4 Zones of RF receivers separately
<b>Frequency</b>	869.5/916.5/434MHz
<b>Rated</b>	IP20
<b>Warranty</b>	5 Years limited warranty

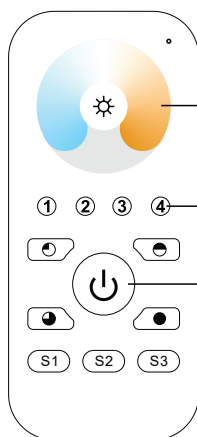
**MASTER CONTROL OPERATION.**



4.5V(3xAAA battery)

**MASTER CONTROL PAIRING WITH RECEIVER**

**Pair with RF receiver(Method 1)**



**Step 1:** Wire the RF receiver according to the wiring diagram (please refer to the instructions of the RF receiver that you would like to pair with).

**Step 5:** Touch the color wheel. LED lights connected with the RF receiver flicker once, indicating that the receiver is paired with zone 4 successfully.

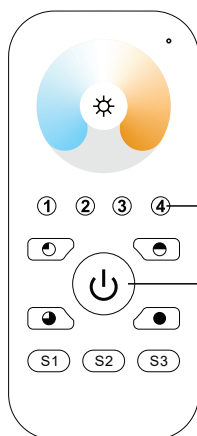
**Step 4:** Choose and click a zone number (e.g., zone 4).

**Step 2:** Click the ON/OFF button to activate the remote.



**Step 3:** Click the "Learning Key" button on the RF receiver or power on the receiver three times continuously to set it into pairing status.

**Pair with RF receiver(Method 2)**



**Step 1:** Wire the RF receiver according to the wiring diagram (please refer to the instructions of the RF receiver that you would like to pair with).

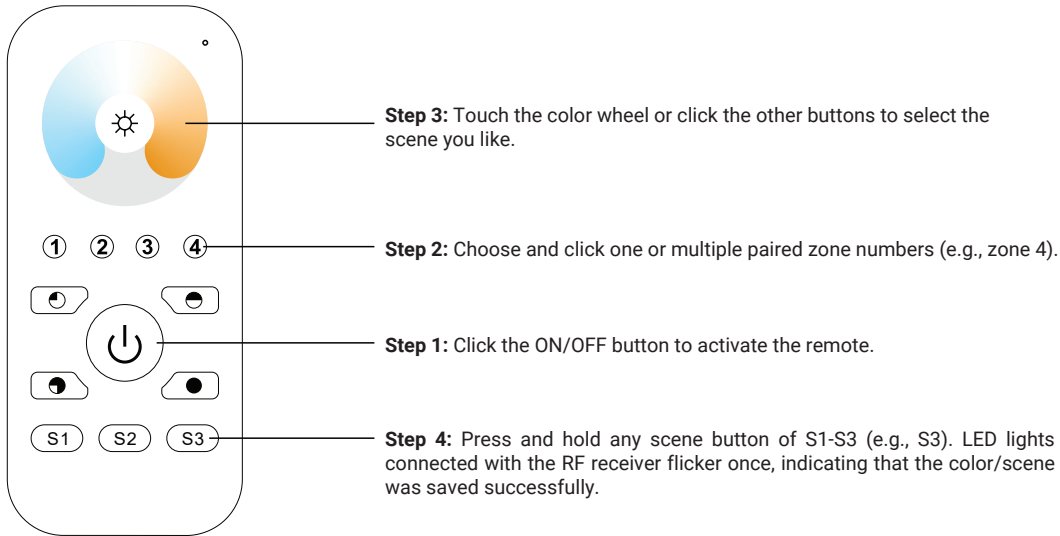
**Step 4:** Choose and click a zone number (e.g., zone 4) twice, then press and hold it continuously and quickly within 10 seconds. LED lights connected with the RF receiver flicker once, indicating that the receiver is paired with zone 4 successfully.

**Step 2:** Click the ON/OFF button to activate the remote.

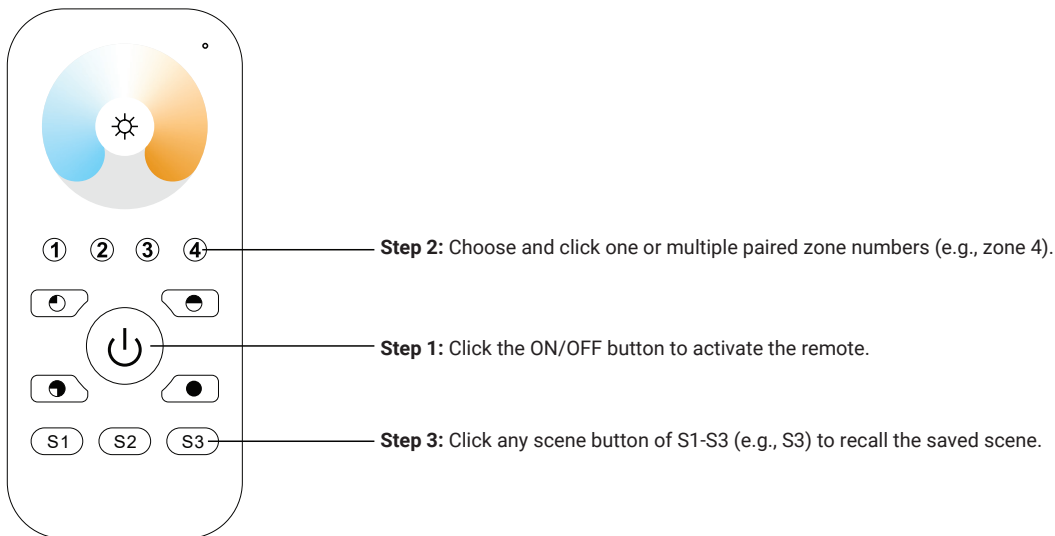


**Step 3:** Power off and then power on the receiver.

**Save color/Scene/Mode**



**Recall the saved colors/scenes**



If you use multiple receivers, you have two choices:

**Option 1:** Have all the receivers in the same zone, like zone 1.



**Option 2:** Have each receiver in a different zone, like zone 1, 2, 3, or 4.

