



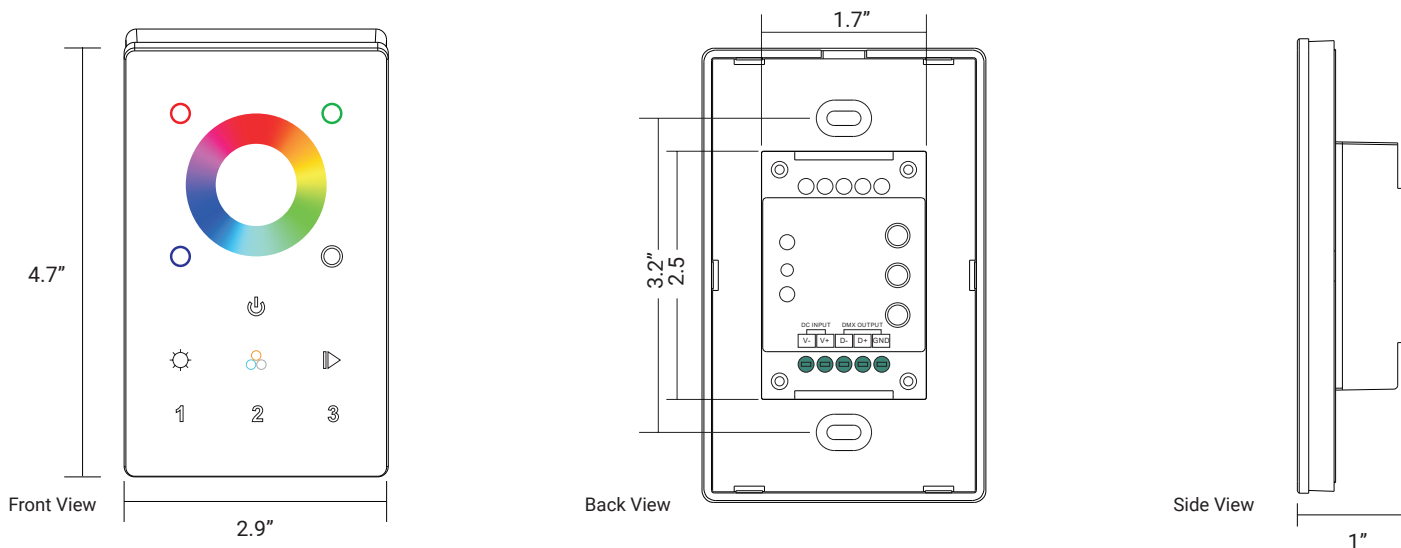
### FEATURES

The 3 Zones RGBW DMX512 Master LB-2812Wi is a full-touch controller designed in accordance with the standard DMX512 protocol (1990). It offers fast and accurate color tone adjustment, along with independent brightness dimming for each RGBW channel, featuring a unique touch color wheel design. **The DMX512 controller, equipped with a touch color wheel, can control 3 zones with endless decoders in each zone.** Independent smooth dimming of each RGBW channel allows the DMX master to achieve millions of colors.

Designed with built-in WiFi, WiFi to DMX function enables the DMX to be **controlled by iPad, iPhone, or Android phones using the "EasyLighting" app.**

- DMX signal output, complies with standard protocol DMX512(1990), and compatible with DMX decoders from any other suppliers.
- Control 3 zones synchronously and separately.
- Ultra sensitive high strength glass touch panel with touch color wheel.
- Smooth and accurate color tone adjustment by touching the color wheel.
- Independent brightness adjustment of each RGBW channel to achieve millions of colors.

### DIMENSIONS

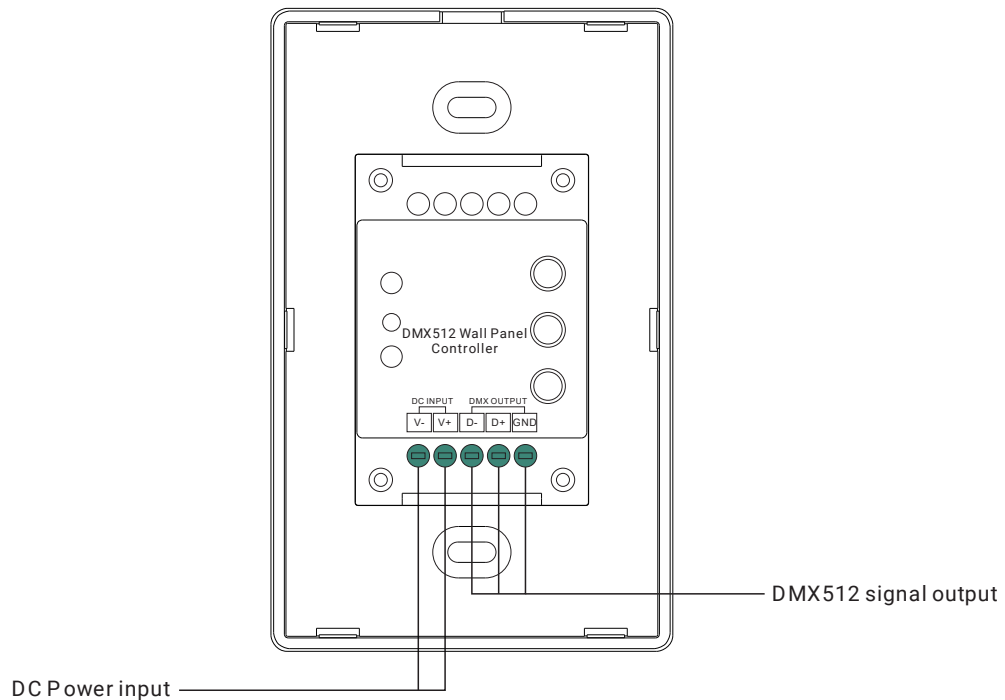
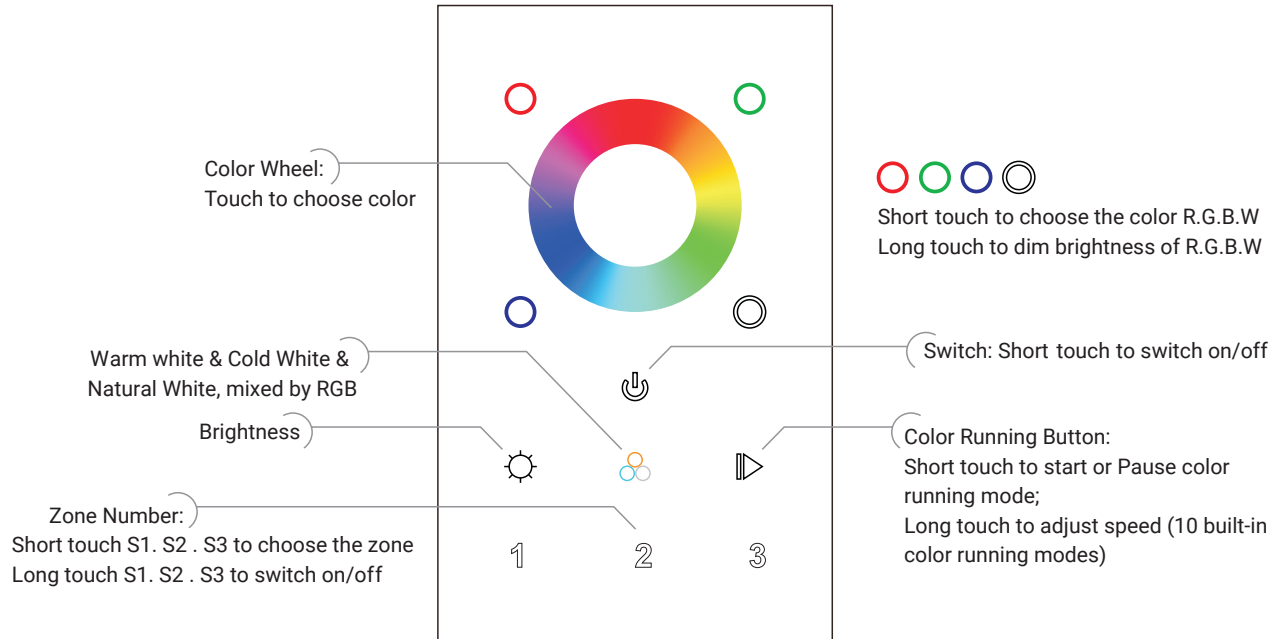


### TECHNICAL DETAILS

<b>Output Signal</b>	DMX512+WiFi Signal
<b>Power Supply</b>	12-24 VDC
<b>Power Consumption</b>	<20 mA
<b>Operating Temperature</b>	0-40°C / 32°F-104°F
<b>Dimensions</b>	4.7"X2.9"X1"
<b>Mounting</b>	Wall Mount
<b>Color</b>	White

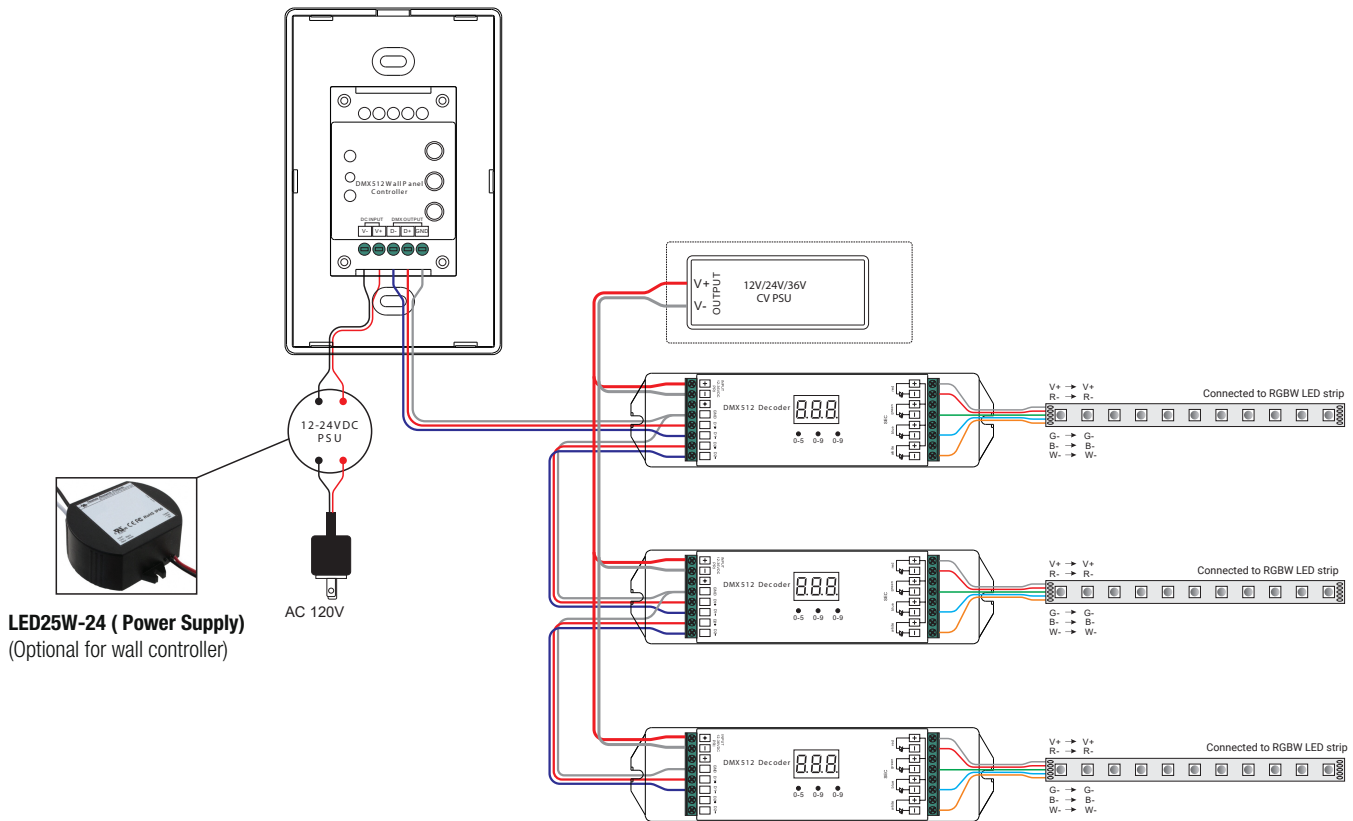
<b>Certifications</b>	FCC / RoHS
<b>Zones</b>	3
<b>Indoor</b>	IP20
<b>Surface</b>	Glass
<b>Control</b>	RGBW color
<b>Warranty</b>	5-years limited warranty

**MASTER CONTROL OPERATION.**



**Back side**

**WIRING DIAGRAM**



**LED25W-24 (Power Supply)**  
(Optional for wall controller)

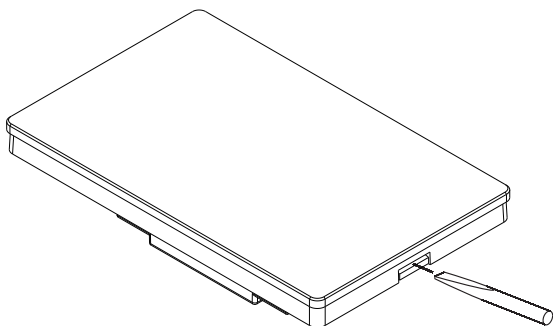
**Set DMX Address**

This DMX master controller controls 3 zones of DMX decoders by assigning the following addresses to each zone:

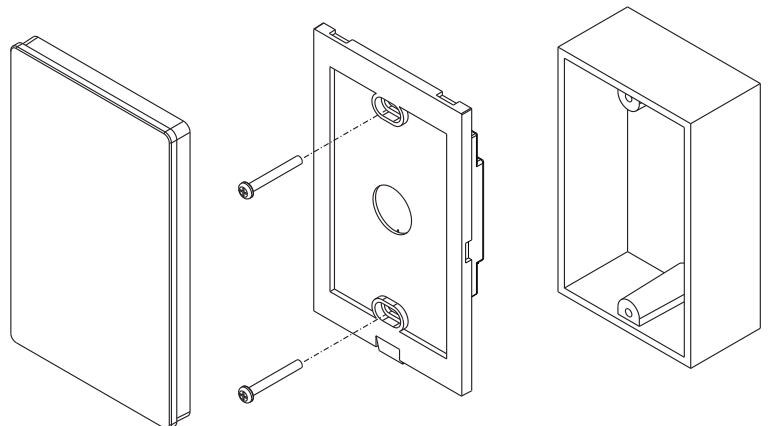
- Zone 1: Set DMX decoders' addresses to 001.
- Zone 2: Set DMX decoders' addresses to 005.
- Zone 3: Set DMX decoders' addresses to 009.

**MOUNTING**

**1**  
Detach the faceplate using a flathead screwdriver.



**2**  
Install on a regular switchbox.



### WiFi Control via APP installed on IOS or Android system

This DMX master controller can be WiFi controlled via APP installed on IOS or Android system, please follow the instructions below:

- 1) Search and download "EasyLighting" APP from APP Store or Google Play on your mobile device.
- 2) Wire up the controller correctly according to wiring diagram and power on.
- 3) Search and connect your mobile device WLAN to the controller network "EasyLighting". Password is 0123456789.
- 4) Run "EasyLighting" APP on your mobile device. Please refer to the user manual of "EasyLighting" APP to learn how to pair and control.

- To download the 'Easylighting' app, search for 'easylighting' on the App Store or Google Play, or scan the QR codes.



Android



IOS