



### FEATURES

The RF LED receiver LB-1009EWI-5CH is a 5-channel, fully functional constant voltage LED controller available with 12-36VDC and a maximum output of 5A per channel. It can drive RGB and dual-color (warm white and cold white) LED lighting with a single receiver when paired with an RGB and CCT remote.

In addition to RGB and CCT LEDs, the 5-channel RF receiver also supports monochrome, dual-color, RGB, and RGB lighting when paired with the corresponding remote or wall-mounted control.

It offers not only smooth brightness dimming function but also accurate color temperature and RGB color tone adjustment with PWM output. Multiple zones can be controlled separately or synchronously with endless receivers in each zone. Built-in changing patterns are available and can be saved to each zone. The brightness of each zone's R, G, B, W channels can be adjusted separately to achieve millions of colors.

When working with WiFi-RF converters, the RF receiver can be WiFi-controlled by an app installed on iOS or Android mobile devices.

- To download the 'Easylighting' app, search for 'easylighting' on the App Store or Google Play, or scan the QR codes.

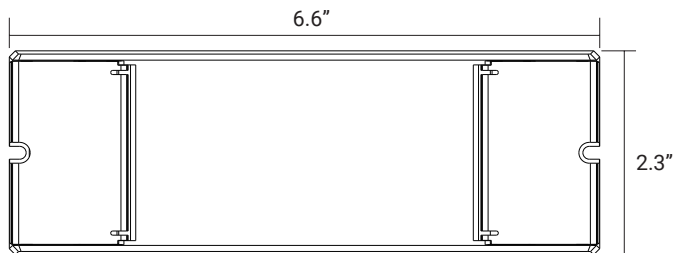


Android



iOS

### DIMENSIONS

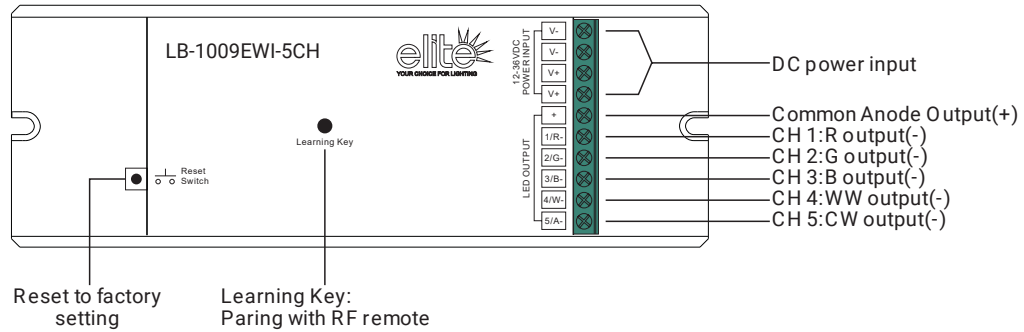


### TECHNICAL DETAILS

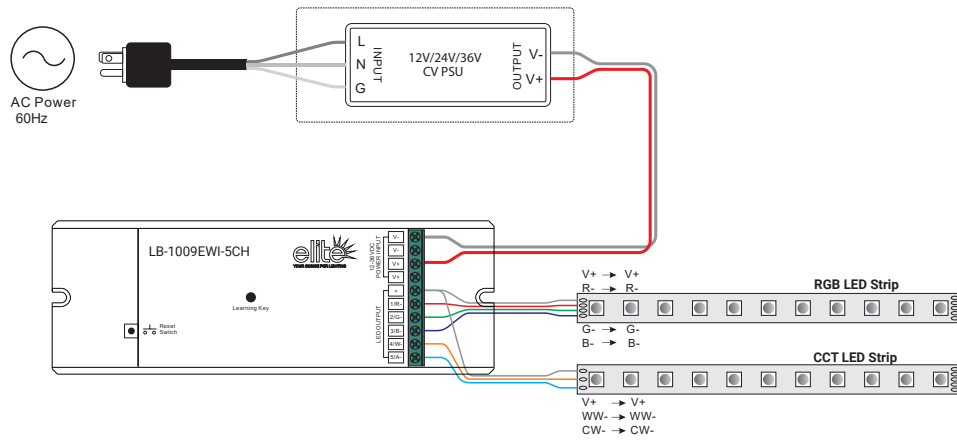
<b>Input Voltage</b>	12-36 VDC
<b>Output Current</b>	5x5A
<b>Output Power</b>	5x(60-180)W
<b>Dimensions</b>	6.6"X2.3"X1.1"

<b>Frequency</b>	869.5/916.5/434MHz
<b>Certifications</b>	FCC / RoHS
<b>Color</b>	White
<b>Warranty</b>	5 Years limited warranty

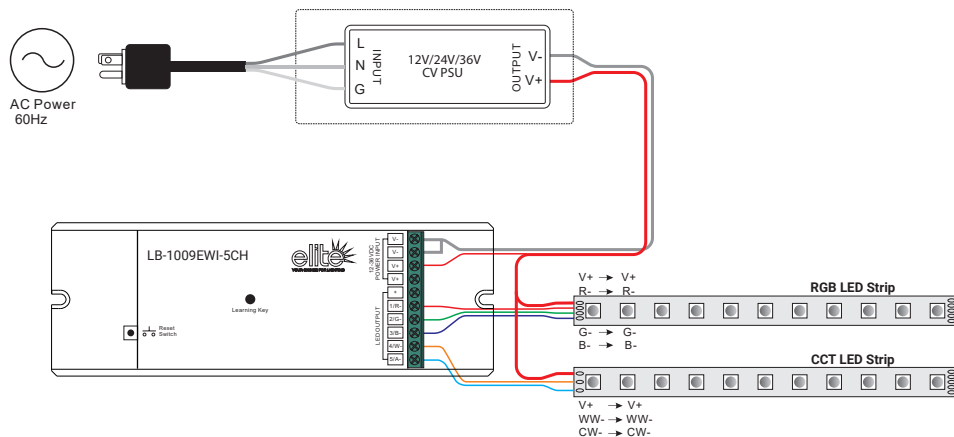
## WIRING DIAGRAM



### 1. When the total load of each receiver does not exceed 20A.



### 2. When the total load of each receiver is over 20A.



## PAIRING

### Pair/Delete the Pairing with RF Remote

1. Follow the wiring instructions provided in the connection diagram.
  2. Pair RF Receiver with RF Remote: Please refer to the instructions of the remote that you would like to pair with.
  3. Delete the Pairing:
    - (1) Wire up the RF receiver correctly and power it on.
    - (2) Press and hold down the 'Learning Key' button on the receiver for over 3 seconds until the indicator light flashes, indicating successful deletion.
- Do wiring according to the connection diagram.

### Master and Slave Setting

1. The receiver features both master and slave functions, which can be set using a jumper. Short-circuiting the jumper activates the master function, while an open circuit enables the slave function. After short-circuiting the jumper on a receiver, please power it off and then back on to enable the master function. Setting the master and slave functions allows for perfect synchronization of color-changing effects.
2. To set one receiver as the master, pair it with any zone of a remote. Each zone should only have one receiver operating as the master. Set all other receivers as slaves and pair them with different zones of the remote. Multiple receivers can be paired with each zone. Then, select all zones on the remote to play the color-changing effects. The master will send synchronization signals to the slaves to achieve perfect synchronization. The maximum synchronization distance between the master and any slave is within 30 meters.

The WiFi receiver can be paired with both an RF remote and iOS/Android smartphone, allowing control via both RF and WiFi signals. **For connection to the receiver using an iOS or Android device, please refer to the 'EasyLighting' application manual. The default WiFi password is 0123456789.**

- To download the 'EasyLighting' app, search for 'easyLighting' on the App Store or Google Play, or scan the QR codes.



Android



iOS