



### FEATURES

The RGBW controller LB-1009EAWi is a 12-36 VDC constant voltage RF and WiFi controller with 4 channel output, offering 8A per channel. It is compatible with a variety of RF remotes and apps installed on iOS and Android systems, enabling control of single-color, dual-color LEDs, and RGBW LEDs.

Multiple zones can be controlled separately or synchronously with endless receivers in each zone. **Built-in changing patterns are available and can be saved to each zone.** The brightness of each R, G, B, W channel can be adjusted separately to achieve millions of changing colors.

**Thanks to the built-in WiFi to RF module, a significant advantage of this WiFi controller is its compatibility with RF remotes and apps** on iOS and Android systems directly, without the need for a WiFi-RF converter.

A free app is available from the **App Store and Google Play**. Simply download it on your iOS or Android device, then search and connect your mobile device WLAN to the WiFi controller network.

- To download the 'Easylighting' app, search for 'easylighting' on the App Store or Google Play, or scan the QR codes.

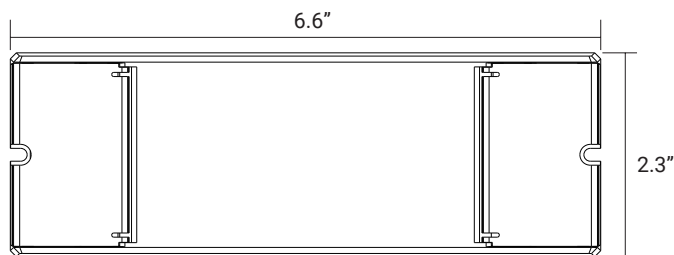


Android



iOS

### DIMENSIONS

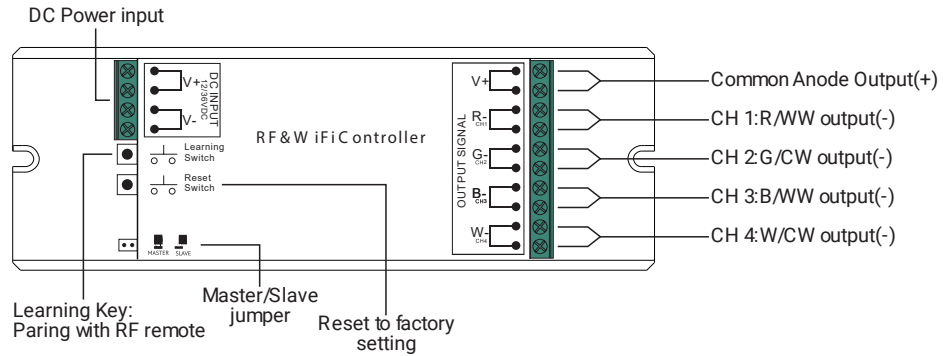


### TECHNICAL DETAILS

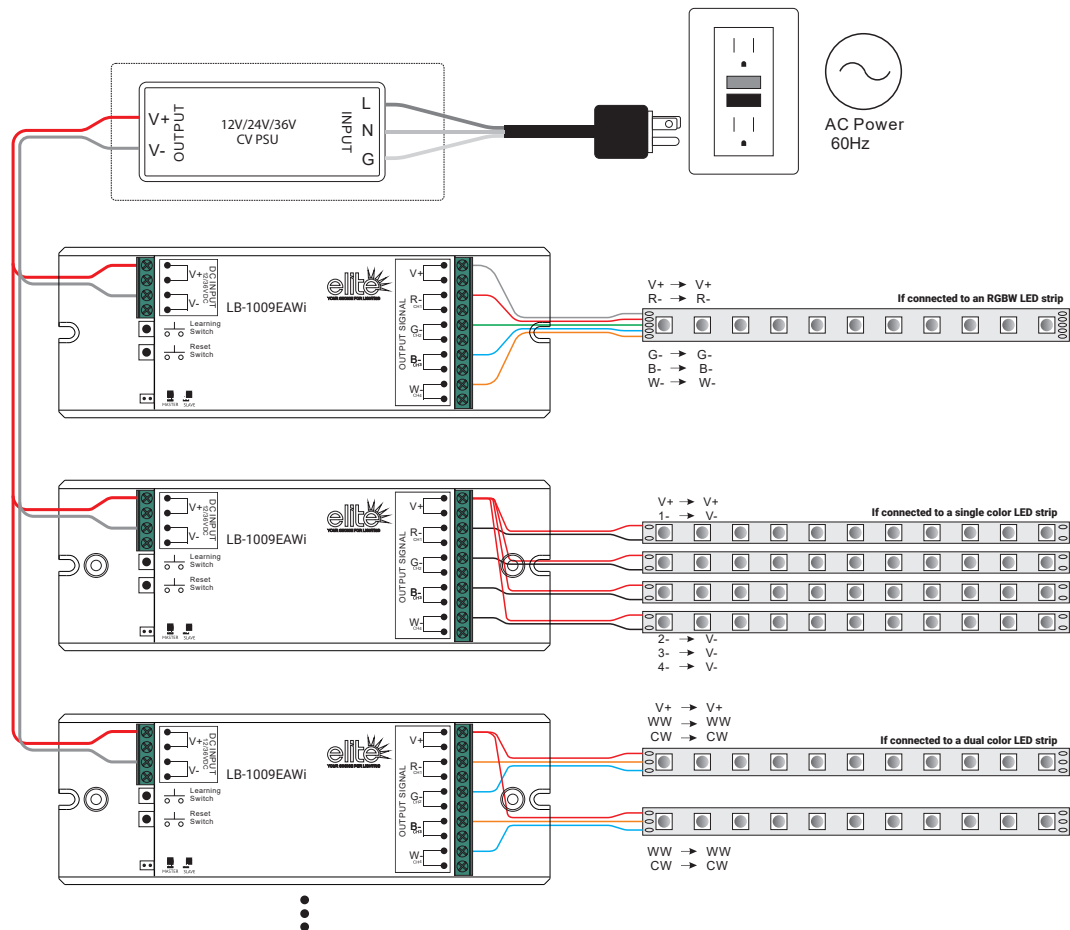
<b>Input Voltage</b>	12-36 VDC
<b>Output Current</b>	4x8A
<b>Output Power</b>	4x(96-288)W
<b>Dimensions</b>	6.6"X2.3"X1.1"

<b>Frequency</b>	869.5/916.5/434mhz
<b>Certifications</b>	FCC / RoHS
<b>Color</b>	White
<b>Warranty</b>	5 Years limited warranty

**WIRING DIAGRAM**

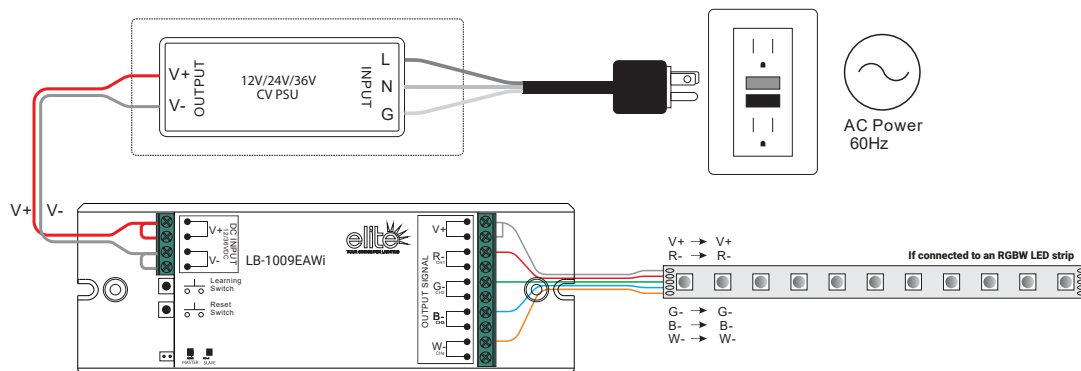
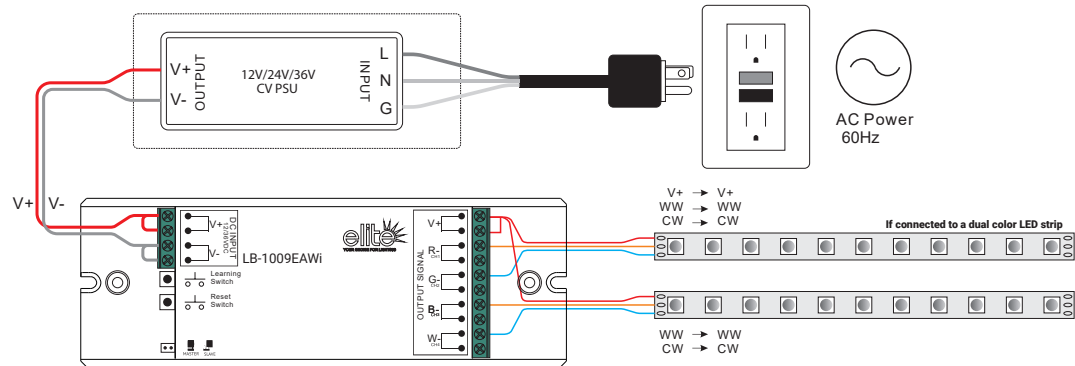
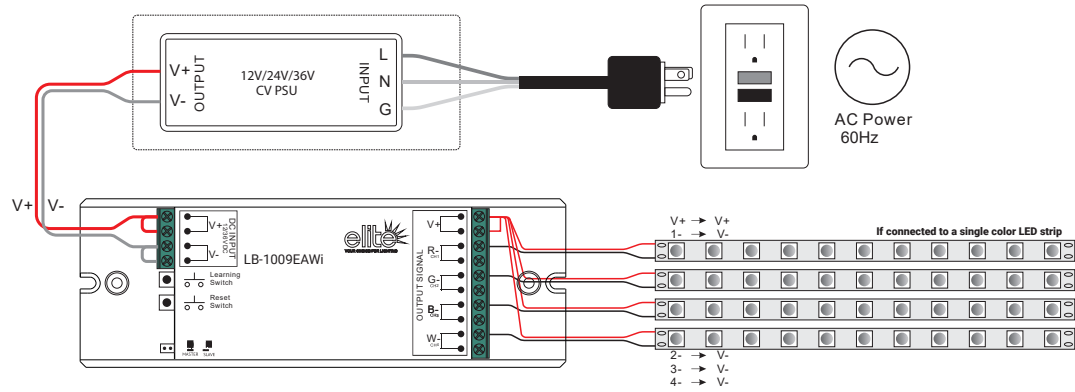


**1. When the total load of each receiver does not exceed 20A.**



**WIRING DIAGRAM**

**2. When the total load of each receiver is over 20A.**



## PAIRING

### Pair/Delete the Pairing with RF Remote

1. Follow the wiring instructions provided in the connection diagram.
  2. Pair RF Receiver with RF Remote: Please refer to the instructions of the remote that you would like to pair with.
  3. Delete the Pairing:
    - (1) Wire up the RF receiver correctly and power it on.
    - (2) Press and hold down the 'Learning Key' button on the receiver for over 3 seconds until the indicator light flashes, indicating successful deletion."
- "Do wiring according to the connection diagram.

### Master and Slave Setting

1. The receiver features both master and slave functions, which can be set using a jumper. Short-circuiting the jumper activates the master function, while an open circuit enables the slave function. After short-circuiting the jumper on a receiver, please power it off and then back on to enable the master function. Setting the master and slave functions allows for perfect synchronization of color-changing effects.

2. To set one receiver as the master, pair it with any zone of a remote. Each zone should only have one receiver operating as the master. Set all other receivers as slaves and pair them with different zones of the remote. Multiple receivers can be paired with each zone. Then, select all zones on the remote to play the color-changing effects. The master will send synchronization signals to the slaves to achieve perfect synchronization. The maximum synchronization distance between the master and any slave is within 30 meters.

The WiFi receiver can be paired with both an RF remote and iOS/Android smartphone, allowing control via both RF and WiFi signals.

**For connection to the receiver using an iOS or Android device, please refer to the 'EasyLighting' application manual. The default WiFi password is 0123456789.**

- To download the 'EasyLighting' app, search for 'easyLighting' on the App Store or Google Play, or scan the QR codes.



Android



IOS