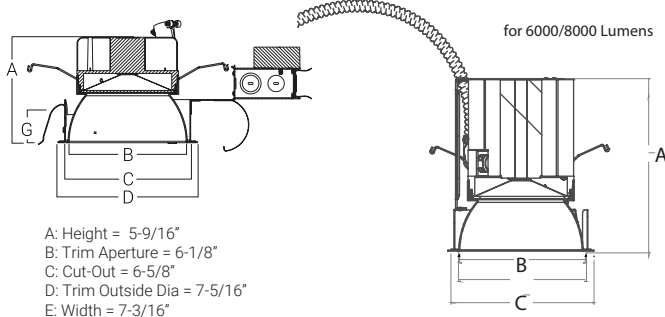
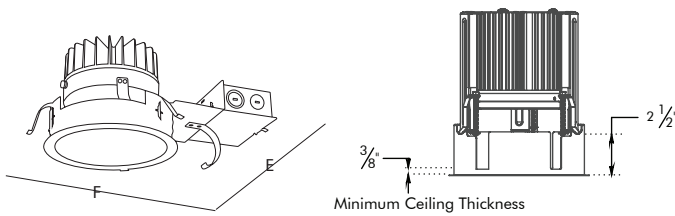




MULTI LUMEN SELECTOR
EASY 5 COLORS
SELECCTOR
2700K, 3000K, 3500K, 4000K, 5000K



REFLECTOR/
FLANGE COLORS



A: Height = 5-9/16"
B: Trim Aperture = 6-1/8"
C: Cut-Out = 6-5/8"
D: Trim Outside Dia = 7-5/16"
E: Width = 7-3/16"
F: Length = 14-3/8"
G: Flange = 3-1/4"

A: Height = 8-5/8"
B: Cut-Out = 6-3/4"
C: Trim Outside Dia = 7-3/8"

1000L/1500L/2000L	WATTAGE
1000	14 W
1500	20 W
2000	27 W

2000L/2500L/3000L	WATTAGE
2000	27 W
2500	33 W
3000	39 W

600L/800L/1000L	WATTAGE
600	9 W
800	12 W
1000	14 W

FEATURES

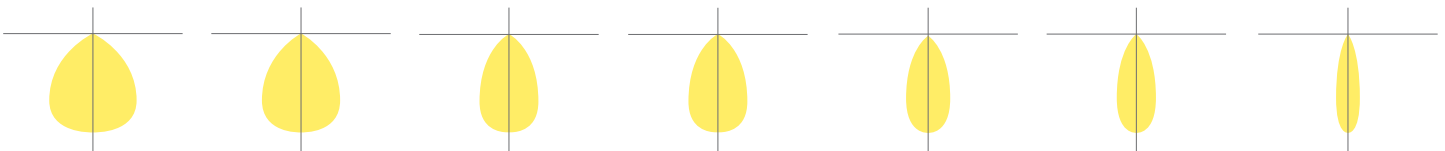
A highly sustainable and ultra-efficient architectural LED downlight that provides even, glare-free illumination. Available in a range of finishes, distributions, and lumen packages, it is ideally suited for use in corporate office space, hospitality, healthcare, commercial, academic, churches and retail.

OPTICS AND REFLECTOR

The reflector has a 45° visual cutoff, and is shipped standard with a Solite lens in a smooth frosted finish. Spun from 0.05" thick aluminum, with a 1-step anodized finish, and available in different colors or custom RAL finishes. Reflector flange options include self-flanged and white painted flange. Various distribution options are available, and all optics are field changeable.

LUMENS	
CCT & DYNAMIC PLATFORMS	27K/30K/35K/40K/50K
CRI	90+ Standard, 98+ Optional
COLOR QUALITY	2 Step MacAdam Ellipse
DISTRIBUTIONS	VWD, WD, MWD, MD, ND, SPD, NSPD
TRIM OPTIONS	Downlight, Wall Wash, Double Wall Wash, Wet Location
REFLECTOR COLORS	CL (Semi-Specular Chrome), SHZ (Low Iridescent Satin Haze), WT (Wheat), W (White), MB (Black), BZ (Bronze) WAM(White Anti Microbial), Custom RAL
FLANGE COLORS	Self-Flanged WH (White), SCH (Semi-Specular Chrome), SHZ (Low Iridescent Satin Haze), BK (Black)
DIMMING	0-10V Flicker Free 1% Dimming Standard (DIM10)
EMERGENCY	10W - Up to 1000L Output (Bodine BSL310) 20W - Up to 2000L Output (Bodine BSL20) GTD-UL924
LIFETIME	L70>60,000-hour reported lifetime L70>250,000-hour calculated lifetime
PHOTOMETRIC TESTS	In Accordance with IES LM79-08, LM80 and TM-30, TM-21

VWD: Very Wide WD:Wide MWD:Medium Wide MD:Medium ND:Narrow SPD:Spot NSPD:Narrow Spot



Reference IES files for additional distribution curve information.



THERMAL MANAGEMENT SYSTEM

Passive cooling Diecast Aluminum Heat Sink, LED light engine and driver are replaceable, upgradeable, and can be accessed from below the ceiling. The consistency in the quality of light is delivered with precision performance by the use of a unique locking mechanism that aligns the reflector with the light engine.

MOUNTING FRAME & BRACKETS

Designed for fast and easy installation in existing plaster or mechanical ceiling thickness from 1/2" to 1-3/4", with four remodel clips that are easily retractable for luminaire removal, if necessary.

DRIVER ELECTRICAL INFORMATION

The LED driver is rated for 50 to 60Hz at 120V/277V also available in 347V input, produces less than 20%THD, has a power factor between 90% and 100%, and is thermally protected for additional safety. Junction box and Driver can be accessed from below the ceiling and above the ceiling. Junction Box is Listed for through branch circuit wiring.

DIMMING & DRIVER INFORMATION

DIM10 - 0-10V dimming on either MVOLT 120, 277 or 347V. Dimmable down to 1% of initial lumens, standard.

LED MODULE

The LED board provide a uniform source with high efficiency and no pixilation with 5CCT (2700K/3000K/3500K/4000K/5000K) selectable switch and available in 90 CRI as a standard in accuracy within 2 SDCM color uniformity 90 CRI, R9>50. The LED is rated to deliver L70 performance at 102,000 hours

OPTICAL

Modular Optics Available with 15°, 24°, 30°, 36°, 52°, 60° and 70° field interchangeable optics design with 45° cutoff to source.

Top-down flash characteristic for superior glare control. The optics attached directly the light engine to the Trim for complete optical alignment and sufficient efficacy.

WARRANTY

Five-year warranty for parts and components. (Labor not included)

LISTINGS

c-UL-us - Listed for Wet Location if used with HH6-6501 Trim.

c-UL-us - Listed for Feed Through Wiring.

U.S Patent No. - D685,118S

CP-City of Chicago environmental air (CCEA) marking for plenum applications.

Energy Star and California Title 24 compliant

Optional Black color trim is not ENERGYSTAR certified and won't meet the requirement.

BAA- Buy American Act Compliant government procurement requirements under FAR, DFARS and DOT regulations.

Example: **HHR6-LED-1000L/1500L/2000L-DIM10-MVOLT-MD-27K/30K/35K/40K/50K-90-HH6-6501-CL-WH**

SERIES	LUMENS	DRIVER	VOLTAGE	CCT	EMERGENCY	TRIM TYPE	REFLECTOR/FLANGE COLORS
HHR6-LED	<input type="checkbox"/> 600L/800L/1000L <input type="checkbox"/> 1000L/1500L/2000L <input type="checkbox"/> 2000L/2500L/3000L	<input type="checkbox"/> DIM10	<input type="checkbox"/> MVOLT	<input type="checkbox"/> 27K/30K/35K/40K/50K	<input type="checkbox"/> EMG-LED-10W <input type="checkbox"/> EMG-LED-20W <input type="checkbox"/> GTD-UL924 Typical lumen output of the luminaire is up to 1000L with EMG-LED-10W option & 2000L with EMG-LED-20W option in emergency mode. Contact the factory for details. Remote mounted installation	<input type="checkbox"/> HH6-6501 Flanged Downlight <input type="checkbox"/> HH6-6507 Flanged Wall Wash <input type="checkbox"/> HH6-6577 Flanged Double Wall Wash <input type="checkbox"/> HH6-6535 Polycarbonate non conductive with "Dead Front" construction <input type="checkbox"/> HH6-6534 Polycarbonate "Dead Front" Trim with Polycarbonate ClearLens	<input type="checkbox"/> CL-WH <input type="checkbox"/> CL-SCH <input type="checkbox"/> SHZ-WH <input type="checkbox"/> SHZ-SHZ <input type="checkbox"/> WT-WH <input type="checkbox"/> WH-WH <input type="checkbox"/> MB-WH* <input type="checkbox"/> CL-BK <input type="checkbox"/> MB-BK* <input type="checkbox"/> RAL <input type="checkbox"/> WAM White Anti Macrobial
			OPTICS	CRI	OTHER OPTIONS		
			<input type="checkbox"/> VWD 70° <input type="checkbox"/> WD 60° <input type="checkbox"/> MWD 52° <input type="checkbox"/> MD 36° <input type="checkbox"/> ND 30° <input type="checkbox"/> SPD 24° <input type="checkbox"/> NSPD 15°	<input type="checkbox"/> 90+ <input type="checkbox"/> 98+ ³	<input type="checkbox"/> CP (Chicago Plenum) <input type="checkbox"/> BAA <input type="checkbox"/> Stopped Ceiling Adopter <input type="checkbox"/> Remote LED Driver Mounting		

-Reference last page for Control Options