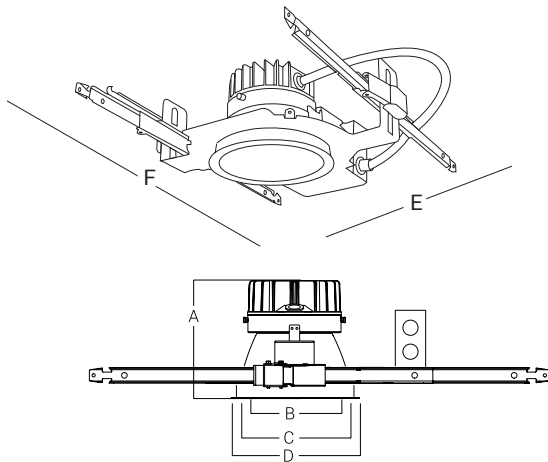
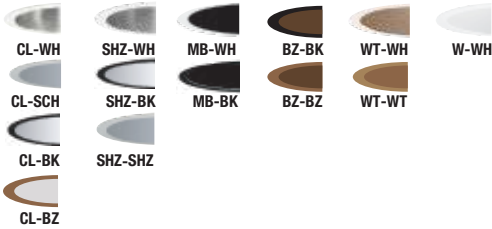




REFLECTOR/  
FLANGE COLORS



A: Height = 5-3/4"  
B: Trim Aperture = 4"  
C: Cut-Out = 4-1/2"  
D: Trim Outside Dia = 5-3/8"  
E: Width = 16"  
F: Length = 12-1/2"

1000L/1500L/2000L	WATTAGE	600L/800L/1000L	WATTAGE
1000	12 W	600	7 W
1500	18 W	800	10 W
2000	25 W	1000	12 W

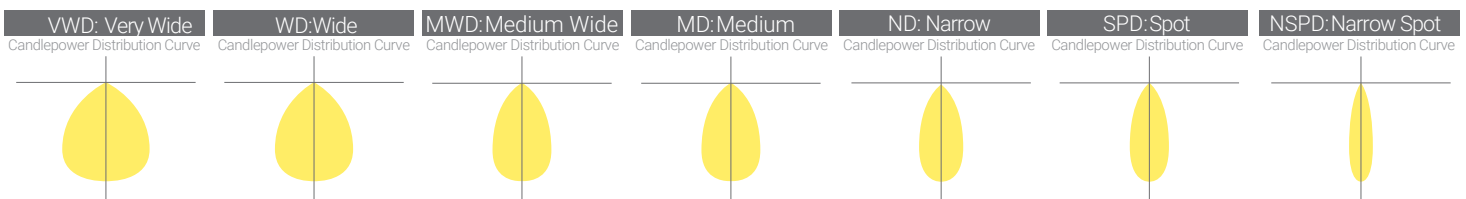
**FEATURES**

A highly sustainable and ultra-efficient architectural LED downlight that provides even, glare-free illumination. Available in a range of finishes, distributions, and lumen packages, it is ideally suited for use in corporate office space, hospitality, healthcare, commercial, academic, churches and retail.

**OPTICS AND REFLECTOR**

The reflector has a 45° visual cutoff, and is shipped standard with a Solite lens in a smooth frosted finish. Spun from 0.05" thick aluminum, with a 1-step anodized finish, and available in different colors or custom RAL finishes. Reflector flange options include self-flanged and white painted flange. Various distribution options are available, and all optics are field changeable.

LUMENS	600L/800L/1000L, 1000L/1500L/2000L,
CCT & DYNAMIC PLATFORMS	27K/30K/35K/40K/50K
CRI	90+ Standard
COLOR QUALITY	2 Step MacAdam Ellipse
DISTRIBUTIONS	VWD, WD, MWD, MD, ND, SPD, NSPD
TRIM OPTIONS	Downlight, Wall Wash, Double Wall Wash, Wet Location
REFLECTOR COLORS	CL (Semi-Specular Chrome), SHZ (Low Iridescent Satin Haze), WT (Wheat), W (White), MB (Black), BZ (Bronze) WAM(White Anti Macrobial), Custom RAL
FLANGE COLORS	Self-Flanged WH (White), SCH (Semi-Specular Chrome), SHZ (Low Iridescent Satin Haze), BK (Black), BZ (Bronze)
DIMMING	0-10V Flicker Free 1% Dimming Standard (DIM10)
EMERGENCY	10W - Up to 1000L Output 20W - Up to 2000L Output EMG-LED-G2-10W-SDT - Self Diagnostic (Consult Factory) GTD-UL924
LIFETIME	L70>60,000-hour reported lifetime L70>200,000-hour calculated lifetime
PHOTOMETRIC TESTS	In Accordance with IES LM79-08, LM80 and TM-30, TM-21



Reference IES files for additional distribution curve information.



**THERMAL MANAGEMENT SYSTEM**

Passive cooling Diecast Aluminum Heat Sink, LED light engine and driver are replaceable, upgradeable, and can be accessed from below the ceiling. The consistency in the quality of light is delivered with precision performance by the use of a unique locking mechanism that aligns the reflector with the light engine.

**MOUNTING FRAME & BRACKETS**

Designed for easy installation into an existing incandescent or CFL downlight mounting frame, converting the luminaire into an energy efficient LED downlight. Flex is designed to attach into the existing junction box, with additional brackets available for up to a 2-1/2" ceiling thickness.

**DRIVER ELECTRICAL INFORMATION**

The LED driver is rated for 50 to 60Hz at 120V/277V, produces less than 20%THD, has a power factor between 90% and 100%, and is thermally protected for additional safety. Junction box and Driver can be accessed from below the ceiling and above the ceiling. Junction Box is Listed for through branch circuit wiring.

**DIMMING & DRIVER INFORMATION**

**DIM10** - 0-10V dimming on either MVOLT 120, 277. Dimmable down to 1% of initial lumens, standard.

**OPTICAL**

Modular Optics Available with 15°, 24°, 30°, 36°, 52°, 60° and 70° field interchangeable optics design with 45° cutoff to source. Top-down flash characteristic for superior glare control. The optics attached directly the light engine to the Trim for complete optical alignment and sufficient efficacy.

**WARRANTY**

Five-year warranty for parts and components. (Labor not included)

**LISTINGS**

c-UL-us - Listed for Wet Location if used with HH4-4501 Trim.  
c-UL-us - Listed for Feed Through Wiring.

U.S Patent No. - D685,118S

CP-City of Chicago environmental air (CCEA) marking for plenum applications.

Energy Star and California Title 24 compliant

Optional Black color trim is not ENERGYSTAR certified and won't meet the requirement.

BAA- Buy American Act Compliant government procurement requirements under FAR, DFARS and DOT regulations.

Example: HHJ4-LED-1000L/1500L/2000L-DIM10-MVOLT-MD-27K/30K/35K/40K/50K-90-HH4-4501-CL-WH

SERIES	LUMENS	DRIVER	VOLTAGE	CCT	EMERGENCY	TRIM TYPE	REFLECTOR/FLANGE COLORS		
HHJ4-LED	<input type="checkbox"/> 600L/800L/1000L <input type="checkbox"/> 1000L/1500L/2000L	<input type="checkbox"/> DIM10	<input type="checkbox"/> MVOLT  (DIM10 only)	<input type="checkbox"/> 27K/30K/35K/40K/50K	<input type="checkbox"/> EMG-LED-10W <input type="checkbox"/> EMG-LED-20W <input type="checkbox"/> INTG-EMG-LED-10W <input type="checkbox"/> INTG-EMG-LED-20W <input type="checkbox"/> EMG-LED-G2-10W-SDT* <input type="checkbox"/> GTD-UL924	<input type="checkbox"/> HH4-4501 Flanged Downlight <input type="checkbox"/> HH4-4507 Flanged Wall Wash <input type="checkbox"/> HH4-4577 Flanged Double Wall Wash <input type="checkbox"/> HH4-4535 Polycarbonate non conductive with "Dead Front" construction	<input type="checkbox"/> CL-WH <input type="checkbox"/> W-WH <input type="checkbox"/> SHZ-SHZ <input type="checkbox"/> CL-SCH <input type="checkbox"/> MB-WH* <input type="checkbox"/> SHZ-BK <input type="checkbox"/> CL-BK <input type="checkbox"/> MB-BK* <input type="checkbox"/> WT-WH <input type="checkbox"/> CL-BZ <input type="checkbox"/> BZ-BK <input type="checkbox"/> WT-WT <input type="checkbox"/> SHZ-WH <input type="checkbox"/> BZ-BZ   * Black color trim is not ENERGYSTAR certified <input type="checkbox"/> RAL <input type="checkbox"/> WAM White Anti Microbial		
					Typical lumen output of the luminaire is up to 1000L with EMG-LED-10W option & 2000L with EMG-LED-20W option in emergency mode. Contact the factory for details. Remote mounted installation * Consult Factory for Self Diagnostic	<input type="checkbox"/> WH <input type="checkbox"/> BZ <input type="checkbox"/> BK <input type="checkbox"/> SCH <input type="checkbox"/> SHZ			
					OPTICS	CRI	OPTIONS	TRIMLESS	TRIMLESS FINISH
					<input type="checkbox"/> VWD 70° <input type="checkbox"/> WD 60° <input type="checkbox"/> MWD 52° <input type="checkbox"/> MD 36° <input type="checkbox"/> ND 30° <input type="checkbox"/> SPD 24° <input type="checkbox"/> NSPD 15°	<input type="checkbox"/> 90+	<input type="checkbox"/> CP (Chicago Plenum) <input type="checkbox"/> BAA <input type="checkbox"/> Sloped Ceiling Adopter <input type="checkbox"/> Remote LED Driver Mounting	<input type="checkbox"/> HH4-TL-4501 Trimless Downlight <input type="checkbox"/> HH4-TL-4507 Trimless Wall Wash	<input type="checkbox"/> CL <input type="checkbox"/> MB <input type="checkbox"/> SHZ <input type="checkbox"/> WH

-Reference last page for Control Options