

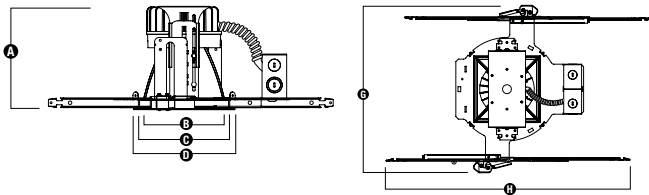
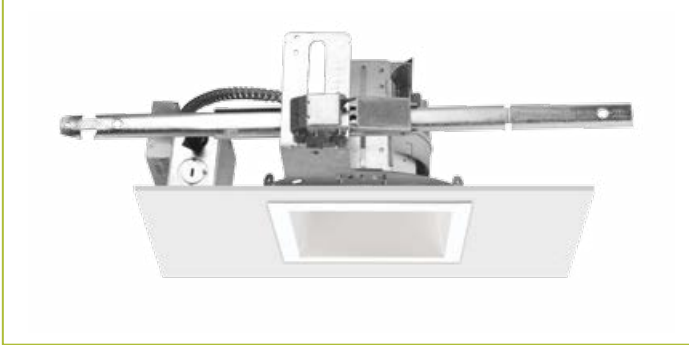


# 6" HH6SQ-LED

# SQUARE & FEATURES SPECIFICATIONS

6 INCH SQUARE ARCHITECTURAL HIGH LUMEN LED DOWNLIGHT

## VIBRANT



- A** Height = 7-3/8"
- B** Trim Aperture = 6"
- C** Cut-out = 6-1/2"
- D** Trim Outside Dia. = 7-1/8"
- E** Width = 16"
- F** Length (Bar Hanger) = Max: 32" Min: 21"

**VIBRANT** - Vibrant is the perfect solution for any application with precision color control or special purpose lighting application. Vibrant by Maxilume is a high chromatic option in downlighting that enables a vivid appearance of color. Vibrant has CRI and R9 values up to 98 delivering you the purest color LED lighting can offer. Vibrant series is available in four different CCT/CRI/R9 combinations: **CRISP WHITE (CW-42K)** has an CRI of 96 and R9 value of 93 and is designed for most retail applications, especially for jewelry and gems.

**WARM WHITE (WW-34K)** has an CRI of 95 and R9 value of 93 and is designed for Healthcare applications.

**TWILIGHT (TL-32K)** has an CRI of 96 and R9 value of 98 and is designed for Hospitality, high-end residential, high-rise condominiums.

**RED GLOW (RG-37K)** has an CRI of 66 and is designed to be used in restaurants and grocery stores, especially to show products in the produce, meat, fish, and poultry departments.

### LISTING

c-UL-us / c-ETL-us - listed for Damp location & feed Through Wiring.

LM79 / LM80 U.S. Patent No. - D685,118S

CP - City of Chicago environmental air (CCEA) marking for plenum applications.

**OPTICS** - MAXILUME LED Optilux technology combines unmatched performance with visual comfort. Spun 0.05" thick 1-step anodized reflector has been designed to gather the light scattered by the LED chip and shape it into functional beams that minimize brightness and glare, while eliminating lamp image. Reflector offers a 45-55 degree cutoff and smooth frost Solite diffuser distributes light even throughout the workplace in 3 different distribution; Wide (WD), Medium (MD) and Narrow (ND).

**THERMAL MANAGEMENT SYSTEM** - Using a proprietary coolLED Advanced Thermodynamic Design, Die-cast aluminum housing and heat management system are engineered for extremely long life and service period. Heat sink is attached to top of reflector. The LED light engine is attached to the die-cast heat sink and is easily replaceable and upgradeable. Our die-cast system pulls the heat from the LED chip, allowing continued cool operation for years. Life tests have shown the MAXILUME light engine output will be maintained at 70% of initial at 50,000hrs of operation.

### INSTALLATION TYPE:

**NEW CONSTRUCTION: MOUNTING BRACKET AND FRAME** - Constructed from 16 gauge steel and is supplied with C-channel that are adjustable up to 28". Mounting bracket maybe adjusted up to 2-3/4" vertically from inside the housing. Mounting frame is made from Die-formed construction for maximum heat dissipation and rust protection.

**RETROFIT** - Our retrofit is designed to install into an existing downlights mounting frame and convert them into energy efficient LED downlights. Flex is designed to attach into existing junction box.

**DESCRIPTION** - 6" LED dedicated Architectural New Construction Square Downlight with integral LED heat management casting and driver (installed on junction box). Producing more than 1200 usable lumens. Lighting is smooth and comfortable while using 50% less energy than the common 32W CFL downlight. When used within specification, (Tc<65°C; Ta=35°C) lumen maintenance of %70 at 50,000hrs is expected for Fortimo module. With Energy Star and California Title-24 (compliances pending).

**PERFORMANCE** - Operating system delivers 1200, & 2000 lumens with 80+ CRI and consistent white light within 3 MacAdams ellipses. Also available in four standard color options 2700K, 3000K, 3500K and 4000K. LED Cool Beam technology gives the added benefit of no heating of illuminated products. Our stringent chip specifications require only those chips that produce no ultra violet and virtually no infrared light. Guaranteed lumen maintenance of 70% at 50,000hrs and tested to LM-79 and LM-80 standards by an independent laboratory.

**REMODEL** - Die-formed all construction for maximum heat dissipation and rust protection. For fast and easy installation in existing plaster or mechanical ceiling thickness from 1/2" to 1-3/4". Four remodel clips are easily retractable for fixture removal if necessary.

**LED DRIVER/JUNCTION BOX** - The LED driver is rated for 50 to 60Hz at 120V /277V input, produces less than 20%THD, and has a power factor between 90% and 100% and is thermally protected for additional safety. MAXILUME's LED driver is installed on the junction box cover so it may be serviced from below the ceiling. UL Listed for through-branch circuit wiring, provided with four 1/2" knockouts, one 3/4" knockout and four Romex knockouts with true pryout slots and strain clamps. Designed for straight through conduit runs.

### DIMMING INFORMATION FOR MAXILUME HIGH PERFORMANCE / VIBRANT / SMART DIM / SMART WHITE DOWNLIGHT:

- DIM10** (0-10V 1% Dimming up to 3000 lumens only and 10% for 4000L and above)
- LUTH** (Lutron® Hi-Lume A-Series 3-Wire or Eco System 1% Dimming up to 4000 lumens only)
- LUT2W** (Lutron® Hi-Lume A-Series 2-Wire Forward Phase Control 1% Dimming in 120V only and up to 3000 lumens only)
- ELD010-1** (EldoLed 0-10V .1% Dimming driver option)
- ELD0DALI-1** (EldoLed DALI .1% Dimming driver options)
- ELD0DMX-1** (EldoLed DMX .1% Dimming driver options/ Consult Factory for Details)
- DIMTR** (Triac & Electronic Low Voltage Dimming in 120V only for High Performance & Vibrant series only)

**DIMMING INFORMATION FOR SMART HUE DOWNLIGHT-** Smart Hue by Vibrant is compatible with traditional 0-10V wired controls, and digital protocols including Lutron®, Ecosystem® and DMX using the optional Digital Control Adapter. For simple deployment, Digital Control allows up to five scenes to be pre-programmed into the module during production and recalled at the venue using a 0 -10V. Maxilume Smart Hue controller. Commissioning of the module and re-programming of Scenes is done via the wireless Maxilume Smart Hue Digital Controlling Light Commissioning Tool or smart-phone that connects to the embedded radio.

**OUR WORD** - The MAXILUME LED lighting system carries a five-year carefree warranty for parts and components. (Labor not included)

# SQUARE & FEATURES SPECIFICATIONS

## Architectural High Lumen LED Downlight

HH6SQ-LED  
2000 LUMENS

6"

Square



VIBRANT	TYPE	LUMENS/DRIVER				VOLTAGE	OPTICS	CCT	CRI	EMERGENCY	TRIM TYPE	REFLECTOR/ RING FINISH
		900L SERIES	1200L SERIES	1500L SERIES	2000L SERIES							
	HH6SQ-LED	<input type="checkbox"/> 900L-DIM10 <input type="checkbox"/> 900L-DIMTR <sup>1</sup> <input type="checkbox"/> 900L-LUTTH <sup>2</sup> <input type="checkbox"/> 900L-LUT2W <sup>1</sup> <input type="checkbox"/> 900L-ELD010-1 <sup>2</sup> <input type="checkbox"/> 900L-ELD0DALI-1 <sup>2</sup> <input type="checkbox"/> 900L-ELD0DMX-1 <sup>2</sup>	<input type="checkbox"/> 1200L-DIM10 <input type="checkbox"/> 1200L-DIMTR <sup>1</sup> <input type="checkbox"/> 1200L-LUTTH <sup>2</sup> <input type="checkbox"/> 1200L-LUT2W <sup>1</sup> <input type="checkbox"/> 1200L-ELD010-1 <sup>2</sup> <input type="checkbox"/> 1200L-ELD0DALI-1 <sup>2</sup> <input type="checkbox"/> 1200L-ELD0DMX-1 <sup>2</sup>	<input type="checkbox"/> 1500L-DIM10 <input type="checkbox"/> 1500L-DIMTR <sup>1</sup> <input type="checkbox"/> 1500L-LUTTH <sup>2</sup> <input type="checkbox"/> 1500L-LUT2W <sup>1</sup> <input type="checkbox"/> 1500L-ELD010-1 <sup>2</sup> <input type="checkbox"/> 1500L-ELD0DALI-1 <sup>2</sup> <input type="checkbox"/> 1500L-ELD0DMX-1 <sup>2</sup>	<input type="checkbox"/> 2000L-DIM10 <input type="checkbox"/> 2000L-DIMTR <sup>1</sup> <input type="checkbox"/> 2000L-LUTTH <sup>2</sup> <input type="checkbox"/> 2000L-LUT2W <sup>1</sup> <input type="checkbox"/> 2000L-ELD010-1 <sup>2</sup> <input type="checkbox"/> 2000L-ELD0DALI-1 <sup>2</sup> <input type="checkbox"/> 2000L-ELD0DMX-1 <sup>2</sup>	<input type="checkbox"/> 120 <input type="checkbox"/> 277 <input type="checkbox"/> 347 (DIM10 only)	<input type="checkbox"/> WD (70°-75°) <input type="checkbox"/> MD (55°-60°) <input type="checkbox"/> ND (35°-40°)	<input type="checkbox"/> CW <input type="checkbox"/> WW <input type="checkbox"/> TL <input type="checkbox"/> RG	<input type="checkbox"/> 85+ <input type="checkbox"/> 90+	<input type="checkbox"/> EMG-LED Typical lumen output of the fixture is up to 1000L in emergency mode. Contact the factory for details.	<input type="checkbox"/> LED-6607 <input type="checkbox"/> LED-6614 <input type="checkbox"/> LED-6615	<input type="checkbox"/> CL-WH <input type="checkbox"/> CL-SCH <input type="checkbox"/> SHZ-SHZ <input type="checkbox"/> SHZ-WH <input type="checkbox"/> W-WH <input type="checkbox"/> MB-WH <input type="checkbox"/> WT-WH

<sup>1</sup> LUT2W and DIMTR are available in 120V only

<sup>2</sup> LUTH, ELD010-1, ELD0DALI -1, and ELD0DMX-1 are available in 120V and 277V

REFLECTOR		RING
CL - Clear	WT -Wheat	WH Self-Flange White
SHZ -Satin Haze (Low Indescent)	MB -Black	SCH Self-Flange Chrome
	W -White	SHZ Satin Haze

*\*For custom baffles, reflector, trim ring, glass color and lens options, please consult factory.*

6 INCH SQUARE ARCHITECTURAL HIGH LUMEN LED DOWNLIGHT