



MULTILUMEN SELECTOR
EASY 5 COLORS
SELECTOR
2700K, 3000K, 3500K, 4000K, 5000K



MOS-6601
Open Reflector



MOS-6614
Reflector with
Frosted Glass Lens



MOS-6607
Wall Wash Reflector
with Diffuse Lens



EX-TL-6601
Trimless Open
Reflector

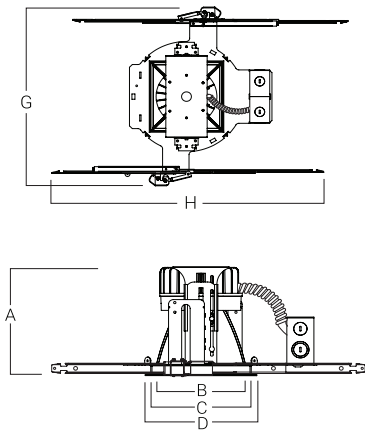


EX-TL-6614
Trimless Reflector with
Frosted Glass Lens



EX-TL-6607
Trimless Wall Wash Reflector
with Diffuse Lens

REFLECTOR/
FLANGE COLORS



A: Height = 7-3/8"
B: Trim Aperture = 6"
C: Cut-Out = 6-1/2"
D: Trim Outside Dia = 7-1/8"
G: Width = 16"
H: Length = 32" Min:21"

1000L/1500L/2000L	WATTAGE	2000L/2500L/3000L	WATTAGE
1000	14 W	2000	27 W
1500	20 W	2500	33 W
2000	27 W	3000	39 W

600L/800L/1000L	WATTAGE
600	9 W
800	12 W
1000	14 W

FEATURES

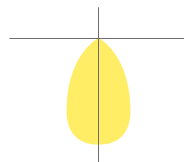
A highly sustainable and ultra-efficient architectural LED downlight that provides even, glare-free illumination. Available in a range of finishes and lumen packages, it is ideally suited for use in corporate office space, hospitality, healthcare, commercial, academic, churches and retail.

OPTICS AND REFLECTOR

The reflector has a 45° visual cutoff, and is shipped standard with a Solite lens in a smooth frosted finish. Spun from 0.05" thick tnerreffid ni elbaliava dna ,hsinif dezidona pets-1 a htiw ,munimula colors or custom RAL finishes. Reflector flange options include self-flanged and white painted flange.

LUMENS	600L/800L/1000L, 1000L/1500L/2000L, 2000L/2500L/3000L
CCT & DYNAMIC PLATFORMS	27K/30K/35K/40K/50K
CRI	90+ Standard, 98+ Optional
COLOR QUALITY	2 Step MacAdam Ellipse
DISTRIBUTIONS	MD (Medium Distribution) - 45° visual cutoff
TRIM OPTIONS	Downlight, Wall Wash, Wet Location
REFLECTOR COLORS	CL (Semi-Specular Chrome), SHZ (Low Iridescent Satin Haze), WT (Wheat), WH (White), MB (Black)
FLANGE COLORS	Self-Flanged WH (White), SCH (Semi-Specular Chrome), SHZ (Low Iridescent Satin Haze), BK (Black)
DIMMING	0-10V Flicker Free 1% Dimming Standard (DIM10)
EMERGENCY	10W - Up to 1000L Output 20W - Up to 2000L Output EMG-LED-G2-10W-SDT - Self Diagnostic (Consult Factory)
LIFETIME	L70 at 102,000 Hours
PHOTOMETRIC TESTS	In Accordance with IES LM79-08, LM80 and TM-30, TM-21

MD: Medium



Reference IES files for additional distribution curve information.



THERMAL MANAGEMENT SYSTEM

Passive cooling die-cast aluminum heatsink. LED light engine and driver are replaceable, upgradeable, and can be accessed from below the ceiling. A unique locking mechanism aligns the reflector with the light engine for precise, uniform aiming.

MOUNTING FRAME & BRACKETS

Constructed from 16-gauge steel. Can be installed with 3/4" or 1-1/2" lathing channel, 1/2" EMT, or with optional C-channel mounting bars (Part# BP31) ordered separately. Housing can be adjusted from the inside of the ceiling.

DRIVER ELECTRICAL INFORMATION

The LED driver is rated for 50 to 60Hz at 120V/277V, also available in 347V input, produces less than 20%THD, has a power factor between 90% and 100%, and is thermally protected for additional safety. Junction box and Driver can be accessed from below the ceiling and above the ceiling. Junction Box is Listed for through branch circuit wiring.

CONSTRUCTION

The product features a galvanized steel mounting/plaster frame and a galvanized steel junction box with bottom-hinged access covers and spring latches. Reflectors are retained by torsion springs. Vertically adjustable mounting brackets with commercial bar hangers provide 3-3/4" total adjustment. The junction box includes two combination 1/2"-3/4" and four 1/2" knockouts for straight-through conduit runs, with a capacity of 8 (4 in, 4 out). It accommodates No. 12 AWG conductors rated for 90°C and joist spacing of 12"-24". The product employs passive cooling thermal management and the light engine and drivers are accessible from above or below the ceiling. It supports ceiling thicknesses ranging from 1/2" to 1-1/2".

DIMMING & DRIVER INFORMATION

DIM10 - 0-10V dimming on either MVOLT 120, 277 or 347V. Dimmable down to 1% of initial lumens, standard.

OPTICAL

Modular Optics Available with 36° and 60° field interchangeable optics design with 45° cutoff to source. Top-down flash characteristic for superior glare control. The optics attached directly the light engine to the Trim for complete optical alignment and sufficient efficacy.

LED MODULE

The LED board provide a uniform source with high efficiency and no pixilation with 5CCT (2700K/3000K/3500K/4000K/5000K) selectable switch and available in 90 CRI as a standard in accuracy within 2 SDCM color uniformity 90 CRI, R9>50. The LED is rated to deliver L70 performance at 102,000 hours

WARRANTY

Five-year warranty for parts and components. (Labor not included)

LISTINGS

c-UL-us - Listed for Wet Location if used with HH4-4501 Trim.
c-UL-us - Listed for Feed Through Wiring.
U.S Patent No. - D685,118S
CP-City of Chicago environmental air (CCEA) marking for plenum applications.
Energy Star and California Title 24 compliant
Optional Black color trim is not ENERGYSTAR certified and won't meet the requirement.
BAA- Buy American Act Compliant government procurement requirements under FAR, DFARS and DOT regulations.

Example: **HH6SQ-LED-600L/800L/1000L-DIM10-MVOLT-MD-27K/30K/35K/40K/50K-90-MOS-6601-CL-WH**

SERIES	LUMENS	DRIVER	VOLTAGE	CCT	EMERGENCY	TRIM TYPE	REFLECTOR/FLANGE COLORS
HH6SQ-LED	<input type="checkbox"/> 600L/800L/1000L <input type="checkbox"/> 1000L/1500L/2000L <input type="checkbox"/> 2000L/2500L/3000L	<input type="checkbox"/> DIM10	<input type="checkbox"/> MVOLT	<input type="checkbox"/> 27K/30K/35K/40K/50K	<input type="checkbox"/> EMG-LED-10W <input type="checkbox"/> EMG-LED-20W <input type="checkbox"/> EMG-LED-G2-10W-SDT* Typical lumen output of the luminaire is up to 1000L with EMG-LED-10W option & 2000L with EMG-LED-20W option in emergency mode. Contact the factory for details. Remote mounted installation * Consult Factory for Self Diagnostic	<input type="checkbox"/> MOS-6601 Open Reflector <input type="checkbox"/> MOS-6607 Wall Wash Reflector with Diffuse Lens <input type="checkbox"/> MOS-6614 Reflector with Frosted Glass Lens	<input type="checkbox"/> CL-WH <input type="checkbox"/> CL-SCH <input type="checkbox"/> SHZ-WH <input type="checkbox"/> SHZ-SHZ <input type="checkbox"/> WT-WH <input type="checkbox"/> WH-WH <input type="checkbox"/> MB-WH <input type="checkbox"/> CL-BK <input type="checkbox"/> MB-BK
			<input type="checkbox"/> MD <input type="checkbox"/> WD	<input type="checkbox"/> 90+ <input type="checkbox"/> 98+ ⁴	<input type="checkbox"/> EX-TL-6601 Trimless Open Reflector <input type="checkbox"/> EX-TL-6607 Trimless Wall Wash Reflector with Diffuse Lens <input type="checkbox"/> EX-TL-6614 Trimless Reflector with Frosted Glass Lens		

- Reference last page for Control Options