



HH6ADJ-HL-6536
Trim Flanged
with solite Lens



HH6ADJ-HL-6556
Trim Flanged
with solite Lens

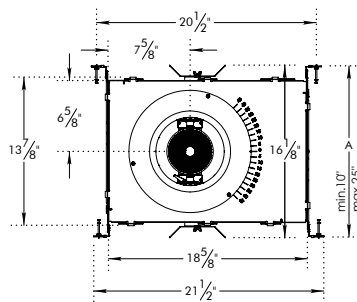
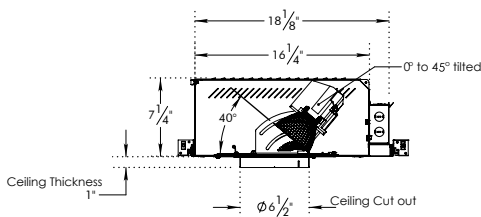


HH6ADJ-HL-6501
Trim Flanged



HH6ADJ-HL-6555
Trim Flanged

REFLECTOR/
FLANGE COLORS



NOMINAL LUMENS	DELIVERED LUMENS	WATTAGE
6000	6696	61 W
4000	4575	38 W
3000	3374	32 W
2000	2252	20 W
1500	1785	15 W
1200	1398	12W
900	1065	9 W

FEATURES

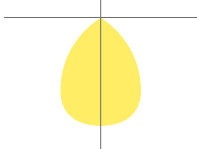
A highly sustainable and ultra-efficient architectural LED downlight that provides even, glare-free illumination. Available in a range of finishes, distributions, and lumen packages, it is ideally suited for use in corporate office space, hospitality, healthcare, commercial, academic, churches and retail.

OPTICS AND REFLECTOR

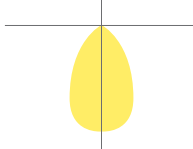
The reflector has a 45° visual cutoff, and is shipped standard with a Solite lens in a smooth frosted finish. Spun from 0.05" thick trneeffid ni elbaliava dna ,hsinif dezidona pets-1 a htiw ,munimula colors or custom RAL finishes. Reflector flange options include self-flanged and white painted flange. Various distribution options are available, and all optics are field changeable.

LUMENS	900, 1200, 1500, 2000, 3000, 4000, 6000
CCT & DYNAMIC PLATFORMS	22K, 27K, 30K, 35K, 40K, 50K, Tunable White, Dims to Warm, RGB + White
CRI	90+ Standard, 98+ Optional
COLOR QUALITY	2 Step MacAdam Ellipse
DISTRIBUTIONS	WD (Wide Distribution), MD (Medium Distribution) and ND (Narrow Distribution)
TRIM OPTIONS	Downlight, Adjustable, Wall Wash
REFLECTOR COLORS	CL (Semi-Specular Chrome), MB (Black), SHZ (Low Iridescent Satin Haze), WH (White)
FLANGE COLORS	Self-Flanged WH (White), SCH (Semi-Specular Chrome), SHZ (Low Iridescent Satin Haze), BK (Black)
DIMMING	0-10V Flicker Free 1% Dimming Standard (DIM10), LUTH, LUTFTB, ELD010.1-LIN, ELD0DMX.1, ELDODALI.1, DIMTR, BLE,POE, ELD010-LOG, XSR, DIM10-AUX, DIM10-0-Off
EMERGENCY	10W - Up to 1000L Output 20W - Up to 2000L Output EMG-LED-G2-10W-SDT - Self Diagnostic (Consult Factory) GTD-UL924
LIFETIME	L70>72,000-hour reported lifetime for Standard models L70>50,000-hour reported lifetime for HP models
PHOTOMETRIC TESTS	In Accordance with IES LM79-08, LM80 and TM-30, TM-21

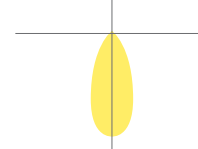
WD: Wide



MD: Medium



ND: Narrow



Reference IES files for additi onal distribution curve information.



THERMAL MANAGEMENT SYSTEM

Passive cooling Diecast Aluminum Heat Sink, LED light engine and driver are replaceable, upgradeable, and can be accessed from below the ceiling. The consistency in the quality of light is delivered with precision performance by the use of a unique locking mechanism that aligns the reflector with the light engine.

MOUNTING FRAME & BRACKETS

Pre-installed bar hangers allow housing to be positioned and locked at any point within a 24" joist span. They can be positioned on either the long or short axis of the housing and can be shortened for 12" joists. Bar hangers can fit onto T-Bar spline with additional slots and holes for special mounting methods, if necessary. Butterfly brackets are also provided and are constructed from 18-gauge steel and can be adjusted vertically. Butterfly brackets may be installed with 3/4" or 1-1/2" lathing channel, 1/2" EMT, or optional C-Channel mounting bars are available.

TRIMLESS

The Trimless trims installed completely flush with the ceiling plane with Trimless perforated die cast ring. Installation includes the application of drywall compound over the luminaire's integral spackle screen to the trim of its integral plaster ring.

AIMING & ADJUSTABILITY

Proprietary tool-less hot aiming adjustable The system includes high-low lamp positioning. allows the lamp to be positioned at the perfect setting to ensure the proper position of the beam and cut-off angle of light before the trim is installed. The lamp holder is designed to ensure that the center beam of the light source emerges out of the luminaire at any angled position from 0 to 45deg and effortlessly rotates on a 365o horizontal rotational smooth slotted groove system.

EMERGENCY OPTIONS/CONTROLS

The typical lumen output of the luminaire is up to 1000L with EMG-LED-10W or option & 2000L with EMG-LED-20W or option in emergency mode. The test switch can be mounted remotely. Self Diagnostic emergency option available (EMG-SDTLED-10W). Other accessories and controls systems include modular wiring systems, daylight harvesting controls, occupancy sensors, and/or power packs for individual or room control applications.

DRIVER ELECTRICAL INFORMATION

The LED driver is rated for 50 to 60Hz at 120V/277V, also available in 347V input, produces less than 20% THD, has a power factor between 90% and 100%, and is thermally protected for additional safety. Junction box and Driver can be accessed from below the ceiling and above the ceiling. Junction Box is Listed for through branch circuit wiring.

DRIVER

120/277V 50/60Hz; 347V available. THD <20%; power factor >.09. Thermally protected. Removal of the reflector provides complete accessibility to the junction box, driver, and internal components from above and below the ceiling through the aperture.

WARRANTY

Five-year warranty for parts and components. (Labor not included)

LED DYNAMIC PLATFORM OPTIONS



Tunable White with Smart White Technology utilizing the Lumenetix Platform allows you to color tune the luminaire via various controls. Create the perfect environment for the desired use of the space, while maintaining a CRI of 90+ across the tunable range of 8000 to 1650K. (Click here for more details)



Dims to Warm with Smart Dimming Technology. At 100% full brightness the luminaire is at 3000K. When dimmed to 1%, the light transitions to 1800K, creating a warm ambiance within the space. (Click here for more details)



RGB+White with Smart Hue Technology provides full color mixing of RGB and white colors. Utilizing the Lumenetix Platform allows you to choose from unlimited RGB color options, via various controls. Ideal for Circadian Rhythm applications or to create the perfect human centric environment. (Click here for more details)

DIMMING & DRIVER INFORMATION

DIM10 - 0-10V dimming on either MVOLT 120, 277 or 347V. Dimmable down to 1% of initial lumens, standard.

DIMTR - Triac & Electronic low voltage dimming. Available in 120V, and up to 6000 lumens only.

LUTH - Lutron LDE1 Hi-Lume 1% Eco System LED driver with Soft-on, Fade to Black dimming technology.

LUTFB - Lutron PEQOE Hi-Lume Premier 1% Eco System LED Driver with Soft-on, Fade to Black dimming technology. Available on all luminaires up to 1500 lumens.

ELDO10.1-LIN - EldoLED SoloDrive 0-10V. Dimming down to 0.1%. Linear dimming curve.

DALI - DALI DT6, DT8 dimming down to 1%.

ELDODMX - EldoLED PowerDrive dimming down to 0.1%.

BLE - Luminaires may be controlled, grouped, scheduled or placed in scenes and or zones Via Cassambi Bluetooth 4.0 App.

DIM10-O-OFF - Program DIM10-to OFF with linear dimming curve 0.1%

ELDO10-LOG - ELDO10-LOG with logarithmic dimming curve.

POE - Power-over-Ethernet Depending on the PoE manufacturer selected, The Node will install the node in factory as either integral to the luminaire or as a remote module.

XSR - Xitanium SR Dimming

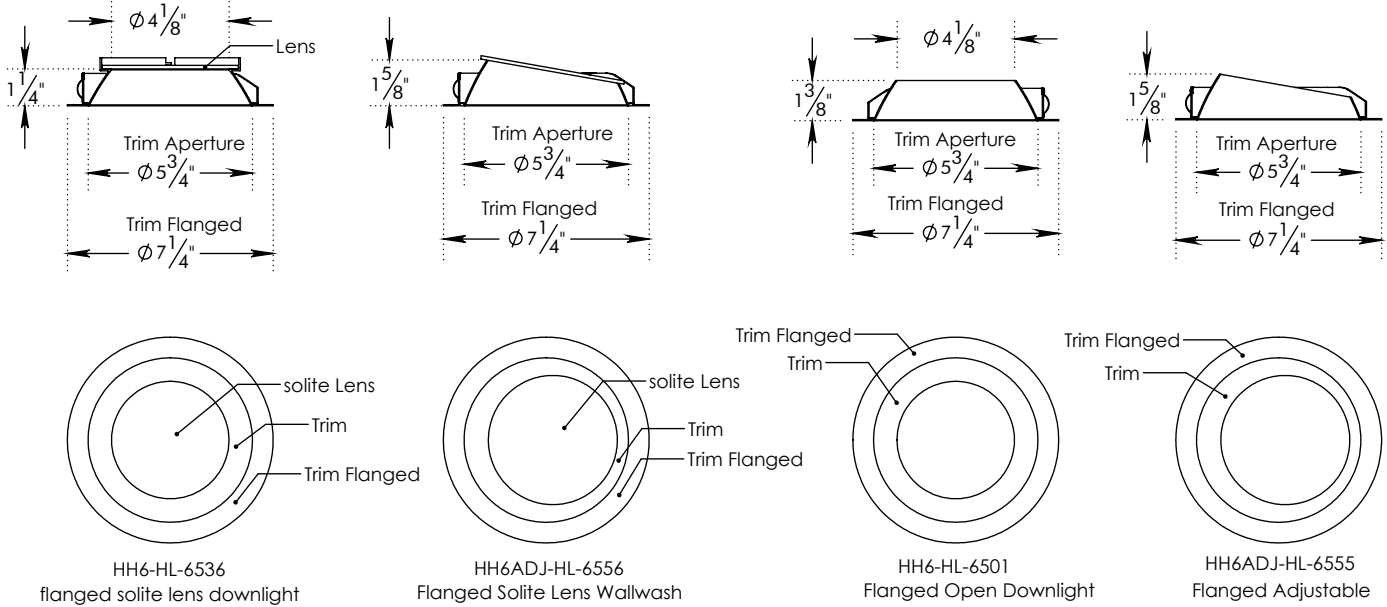
DIM10-AUX - 0-10V with Auxiliry power

LISTINGS

Thermally protected, IC rated up to 1500 lumens.

- cULus Listed for protected damp locations with open trims
- EMI/RFI emissions per FCC 47CFR Part 18 Class B
- RoHS compliant
- Photometric testing completed in accordance Energy Star and California Title 24 compliant
- Optional Black color trim is not ENERGYSTAR certified and won't meet the requirement.
- with IES LM-79 and TM-30 standards with calculated Lifetime: L70 at 102,000 Hours
- Can be used for the State of California Title 24 high efficacy LED compliance under JA8, reference
- ENERGY STAR® certified,

TRIM OPTIONS



Example: **HH6ADJ-HL-LED-1500L-DIM10-MVOLT-MD-40K-85-HH6-HL-6501-CL-WH**

SERIES	LUMENS	DRIVER	VOLTAGE	CCT	EMERGENCY	TRIM TYPE	FLECTOR/FLANGE COLORS
HH6ADJ-HL-LED	<input type="checkbox"/> 900L	<input type="checkbox"/> DIM10	<input type="checkbox"/> 120	<input type="checkbox"/> 22K	<input type="checkbox"/> EMG-LED-10W	<input type="checkbox"/> HH6ADJ-HL-6556 Flanged solite lens wall wash	<input type="checkbox"/> CL-WH
	<input type="checkbox"/> 1200L	<input type="checkbox"/> DIMTR ^{3 5}	<input type="checkbox"/> 277	<input type="checkbox"/> 27K	<input type="checkbox"/> EMG-LED-20W	<input type="checkbox"/> HH6-HL-6536 Flanged solite lens downlight	<input type="checkbox"/> CL-SCH
	<input type="checkbox"/> 1500L	<input type="checkbox"/> LUTH ³	<input type="checkbox"/> MVOLT	<input type="checkbox"/> 30K	<input type="checkbox"/> EMG-LED-G2-10W-SDT*	<input type="checkbox"/> HH6-HL-6501 Flanged open downlight	<input type="checkbox"/> SHZ-WH
	<input type="checkbox"/> 2000L	<input type="checkbox"/> LUTFTB ⁴	<input type="checkbox"/> 347 (DIM10 only)	<input type="checkbox"/> 35K	<input type="checkbox"/> EMG-LED-G2-10W-SDT*	<input type="checkbox"/> HH6ADJ-HL-6555 Flanged adjustable	<input type="checkbox"/> SHZ-SHZ
	<input type="checkbox"/> 3000L	<input type="checkbox"/> ELD010-.1-LIN		<input type="checkbox"/> 40K	<input type="checkbox"/> GTD-UL924		<input type="checkbox"/> WT-WH
	<input type="checkbox"/> 4000L	<input type="checkbox"/> ELD0DALI-.1		<input type="checkbox"/> 50K ³	Typical lumen output of the luminaire is up to 1000L with EMG-LED-10W option & 2000L with EMG-LED-20W option in emergency mode. Contact the factory for details.		<input type="checkbox"/> WH-WH
	<input type="checkbox"/> 6000L	<input type="checkbox"/> ELDODMX-.1			Remote mounted installation * Consult Factory for Self Diagnostic		<input type="checkbox"/> MB-WH*
		<input type="checkbox"/> BLE					<input type="checkbox"/> CL-BK
		<input type="checkbox"/> POE					<input type="checkbox"/> MB-BK*
		<input type="checkbox"/> DIM10-0-OFF					
	<input type="checkbox"/> ELD010-LOG						
	<input type="checkbox"/> XSR						
	<input type="checkbox"/> DIM10-AUX						
			OPTICS	CRI	OPTIONS		
			<input type="checkbox"/> WD	<input type="checkbox"/> 90+	<input type="checkbox"/> CP (Chicago Plenum)		
			<input type="checkbox"/> MD	<input type="checkbox"/> 98+ ⁴	<input type="checkbox"/> BAA		
			<input type="checkbox"/> ND		<input type="checkbox"/> IC Direct Insulation Contact		

¹ 50K series are available with 85+ CRI only

² 98+ CRI is available in 27K, 30K and 40K only

Reference last page for Control Options

³ LUTH and DIMTR Available for luminaires up to 4000L

⁴ LUTFTB Available for luminaires up to 1500L

⁵ DIMTR is available in 120V only

⁷ Available on 30K, 35K, 40K

1 Powerpack Installed

The luminaire is shipped with power packs pre-installed and is ready to be integrated with designated control systems.

2 Integral Sensor Installed

The luminaire is shipped with sensors factory-installed on the luminaire, allowing for individual luminaire control.

The luminaire is ready to be integrated with designated control systems.

3 Remote Sensor

The luminaire is shipped with sensors intended for remote ceiling installation. The luminaire is ready to be integrated with designated control systems.

BRAND								
CONTROL UNIT	<ul style="list-style-type: none"> <input type="radio"/> NXFM-1R2D-0-UNV NX Fixture Module, Offset, 1 Relay, 2 0-10V Dimming Channels, 120-347VAC, 	<ul style="list-style-type: none"> <input type="radio"/> FCJS-010 LutronVive 0-10V Individual Pow Pak (Luminaire is shipped Vive Enabled)^{1,4} <input type="radio"/> FCJS-ECO Lutron Vive Eco-system Pow Pak (Luminaire is shipped Enabled) <input type="radio"/> A-WN-D01-RF-WH Athena wireless node (RF only) (White) <input type="radio"/> A-WN-D01-OCC-WH Athena wireless node with sensor (White) 	<ul style="list-style-type: none"> <input type="radio"/> ZL027 NOW Intellect Power Control Module^{1,6} <input type="radio"/> ZL027 NOW Intellect Power Control Module¹⁶ 	<ul style="list-style-type: none"> <input type="radio"/> EN-WCM2-ZB-DR Wireless Control Module^{1,7} <input type="radio"/> EN-ALC-ZB-BK-DR Wireless Area Lighting Control Module^{1,7} <input type="radio"/> ZBHA-CLM-DIM-ENC Connected Lighting Module DIM^{1,7} 	<ul style="list-style-type: none"> <input type="radio"/> SBR-BS Xitanium SR Bridge^{1,8} 	<ul style="list-style-type: none"> <input type="radio"/> LMFC-011 ON/OFF/0-10V dimming fixture controller^{1,9} 	<ul style="list-style-type: none"> <input type="radio"/> CBU-A2D Bluetooth Controllable 	<ul style="list-style-type: none"> <input type="radio"/> INT-BLE-CO-DIM10-102 6A Fixture Controller power pack
INTEGRAT SENSOR	N/A	N/A	N/A	N/A	N/A	N/A	N/A	N/A
*WIRELESS OCCUPANCY SENSOR	<ul style="list-style-type: none"> <input type="radio"/> NXSMP2-SMI NX Slide Mount Indoor Sensor Module 	N/A	N/A	N/A	N/A	<ul style="list-style-type: none"> <input type="radio"/> LMDC-100 Dual zone technology PIR Ceiling Mount Occupancy Sensor³ 	<ul style="list-style-type: none"> <input type="radio"/> SR-CS9030A-PIR-V CASAMBI wireless PIR= daylight sensor 	<ul style="list-style-type: none"> <input type="radio"/> INT-BLE-PIR-107E-WH Wireless PIR ceiling mount occupancy and daylight sensor
*WIRELESS DAYLIGHT SENSOR	<ul style="list-style-type: none"> <input type="radio"/> LUXSTATLS Luxstat Light Sensor for Luxstat Control Modules, 3 to 6000 FC 	N/A	N/A	N/A	N/A	<ul style="list-style-type: none"> <input type="radio"/> LMLS-400 Single zone switching and dimming digital photosensor³ 	<ul style="list-style-type: none"> <input type="radio"/> SR-CS9030A-PIR-V 	<ul style="list-style-type: none"> <input type="radio"/> INT-BLE-PIR-107E-WH Wireless PIR ceiling mount occupancy and daylight sensor
*WIRELESS OCCUPANCY & DAYLIGHT SENSOR	<ul style="list-style-type: none"> <input type="radio"/> NXSMDT Indoor Ceiling Mount Sensor - OMNI 	N/A	<ul style="list-style-type: none"> <input type="radio"/> ZL00J-T0W Intellect Intelligent Fixture Control System² <i>(Must be specified with ZL027 - NOW Control Unit)</i> 	<ul style="list-style-type: none"> <input type="radio"/> EN-CLM-PIR-DD-ZB SensiLUM™ Wireless Integrated Sensor <input type="radio"/> EN-SCPPH-1500-ZB Wireless Passive Infrared Occupancy and Photo Sensors³ <i>(Must be specified with EN-WCM2-ZB-DR or EN-ALC-ZB-BK-DR Control Unit)</i> 	<ul style="list-style-type: none"> <input type="radio"/> NSN212 EasyAir Daylight and Occupancy sensor 	N/A	<ul style="list-style-type: none"> <input type="radio"/> SR-CS9030A-PIR-V CASAMBI wireless PIR= daylight sensor 	<ul style="list-style-type: none"> <input type="radio"/> INT-BLE-PIR-107E-WH Wireless PIR ceiling mount occupancy and daylight sensor
ACCESORIES	N/A	N/A	N/A	N/A	N/A	N/A	N/A	N/A
NOTES	N/A	<p>4- Luminaire will be compatible with Lutron LRF2-0CR2B-P-WH Ceiling mount 360° occupancy/va-cancy sensor & LRF2-DCRB-WH Ceiling-mount daylight sensor. Sensors must be ordered through Lutron</p>	<p>6- Luminaire will be compatible with Leviton Intellect App & Keypad Room Controller</p>	<p>7- Luminaire will be compatible with EN-SCPPH-1500-ZB Wireless Passive Infrared Occupancy and Photo Sensors</p>	<p>8- Luminaire will be compatible with Philips field and wireless switch.</p>	<p>9- Luminaire will be compatible with DLM Room control system LMPB-100. DLM control system must be order through Legrand</p>	<p>10- Luminaire will be compatible with CASAMBI app & keypad room controller</p>	<p>11- Luminaire will be compatible with intelligecast app & keypad room controller</p>