



FEATURES

Introducing our **Decorative Helix Round Pendant LED**, a true blend of elegance and functionality. This innovative lighting fixture is designed to redefine the way you experience lighting in your space. **Crafted with precision and artistry**, this pendant is a testament to modern aesthetics and high-quality materials. The combination of premium **silicone and high-quality aluminum** ensures a captivating appearance and lasting durability.

Choose **from four** captivating colors – **Black, White, Silver, and Gold** to seamlessly complement any interior style. With our Decorative Helix Round Pendant LED, elevate your space with style and **modern technology**.

COLORS



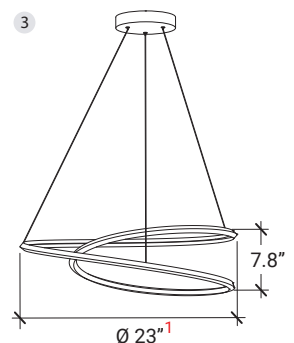
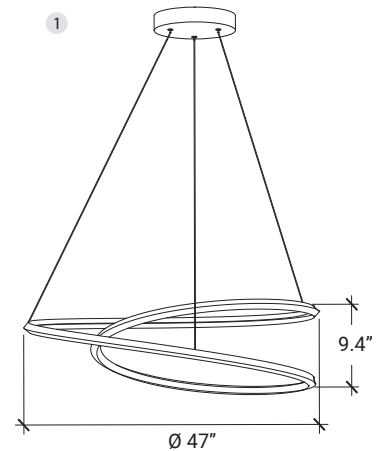
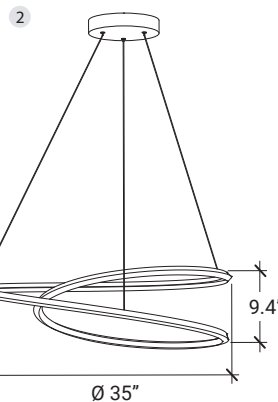
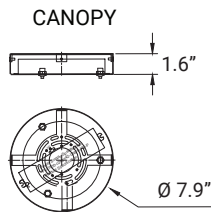
Black

White

Silver

Gold

DIMENSIONS



1. Luminaire with a diameter of 23" comes with a Ø7.1" canopy.

LUMENS	2500L / 3800L / 4400L
CCT	3000K, 3500K, 4000K
CRI	90+
POWER	50W / 76W / 88W
DIMENSIONS	23" / 35" / 47" / Ø Diameter
MOUNTING	Suspended Mount (Adjustable 10-ft length cords)
IP RATING	IP 20
COLOR	Black / White / Silver / Gold
DIMMING	Dimmable
LIFE TIME	L70 at 50,000 hours
MATERIAL	Aluminum + Silicone

LUMENS	WATTS
2500	50W
3800	76W
4400	88W



OPTICS & PERFORMANCE

Meticulously designed with evenly spaced LEDs to provide a uniform, glare-free illumination reminiscent of a luminous halo. This ingenious technology minimizes glare and eradicates any hot spots, granting you unrivaled light control. Complementing this innovation, our one-piece diffuser disperses light evenly in every direction, resulting in a seamless and ambient glow that transforms your environment into a captivating haven of illumination.

CONSTRUCTION

Indulge in the sleek allure of our LED lighting system, where an impeccably crafted aluminum body and seamlessly integrated one-piece diffuser coalesce to form a strikingly contemporary design. This luminaire, artfully constructed with a combination of premium silicone, and high-quality aluminum materials, exemplifies modern aesthetics and high-quality durability.

Engineered to perfection, our cutting-edge lighting solution includes essential features such as aircraft cable and an integral driver, ensuring effortless installation and impeccable performance. With its seamless combination of form and function, this LED masterpiece delivers unparalleled illumination, creating an ambiance of refined elegance and technical prowess that complements any modern setting. Elevate your space with the artistry of lighting, where innovative design meets impeccable engineering for a truly transformative experience.

MOUNTING

Suspended mount option. Delivered with adjustable 10-ft length cords, our pendant mount provides the flexibility you need for a seamless installation. Engineered to accommodate various mounting heights and ceiling types, including sloped ceilings, this lighting solution offers adaptability to suit any space.

For added convenience, our canopy can be directly mounted to the junction box, facilitating below-the-ceiling access for easy maintenance and servicing.

ELECTRICAL

Powered by high-quality constant-current power LED drivers rated for 50 to 60Hz at 120V input, produce less than 20% THD, and have a power factor between 0.90 and 1.00. LED driver compart-

DIMMING & DRIVER INFORMATION

DIM10 Flicker Free 1% Dimming Standard (DIM10) 0-10V dimming on either MVOLT 120 or 277V. 347V please consult factory.

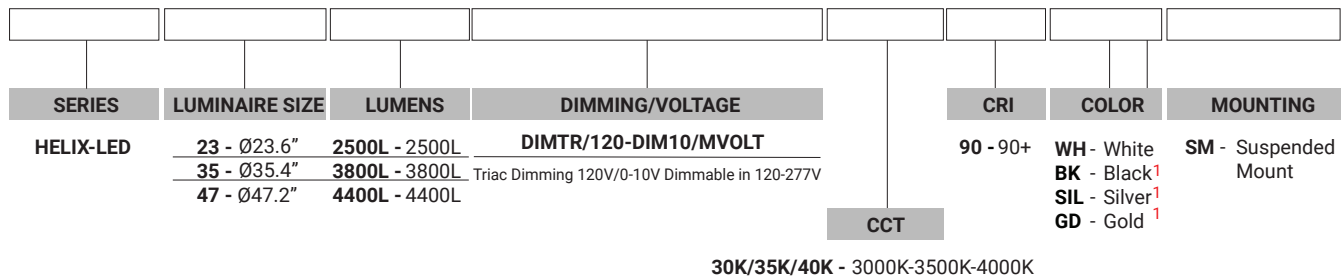
WARRANTY

Five-year warranty for parts and components. (Labor not included)

LISTINGS

RoHS: Directive restricting hazardous substances in electronics.
ErP: Regulation for eco-design of energy-related products.

Example: **HELIX-LED-23-2500L-DIMTR/120-DIM10/MVOLT-30K/35K/40K-90-WH-SM**



¹.MOQ (minimum order quantity) required for these color options, please consult factory.

