

Constant Voltage TRIAC Dimmable Driver

PN: HBL040-AW-24-DA

Model	Input Voltage	Output Voltage	Wattage	Rated Current	Frequency	Location	Certificate
HBL040-AW-24-DA	120-277VAC	24VDC	40W	1.66A	50/60Hz	Dry or Damp location	ETL, Class 2

TRIAC Dimming for 120VAC / Non-Dimming for 277VAC

PN: HBL060-AW-24-DA

Model	Input Voltage	Output Voltage	Wattage	Rated Current	Frequency	Location	Certificate
HBL060-AW-24-DA	120-277VAC	24VDC	60W	2.5A	50/60Hz	Dry or Damp location	ETL, Class 2

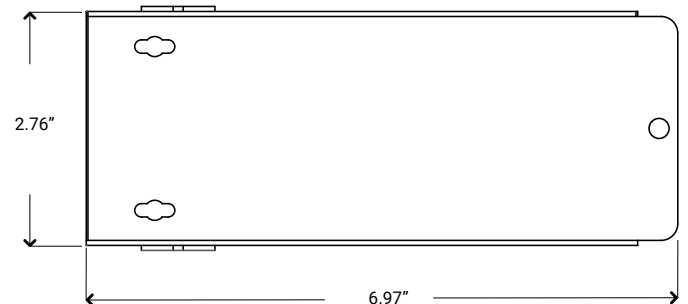
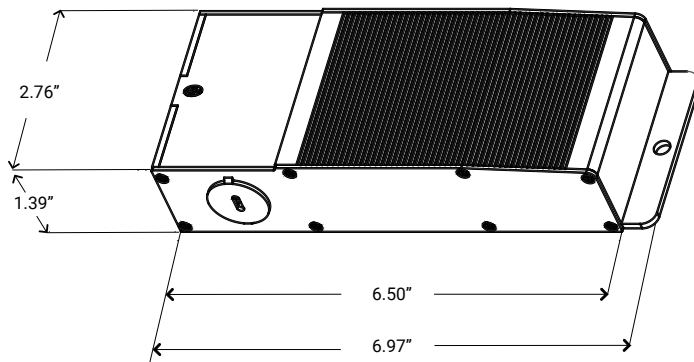
TRIAC Dimming for 120VAC / Non-Dimming for 277VAC

PN:HBL096-AW-24-DA

Model	Input Voltage	Output Voltage	Wattage	Rated Current	Frequency	Location	Certificate
HBL096-AW-24-DA	120-277VAC	24VDC	96W	4A	50/60Hz	Dry or Damp location	ETL, Class 2

TRIAC Dimming for 120VAC / Non-Dimming for 277VAC

DIMENSIONS

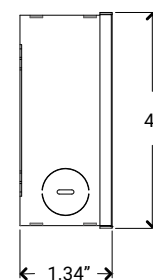
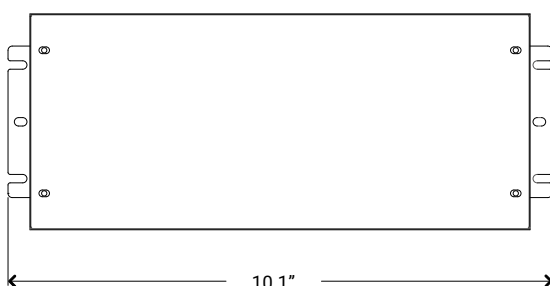


PN:HBL150-AW-24-DI

Model	Input Voltage	Output Voltage	Wattage	Rated Current	Location	Certificate
HBL150-AW-24-DI	120-277VAC	24VDC	150W	6.25A	Dry or Damp location	ETL, Class P

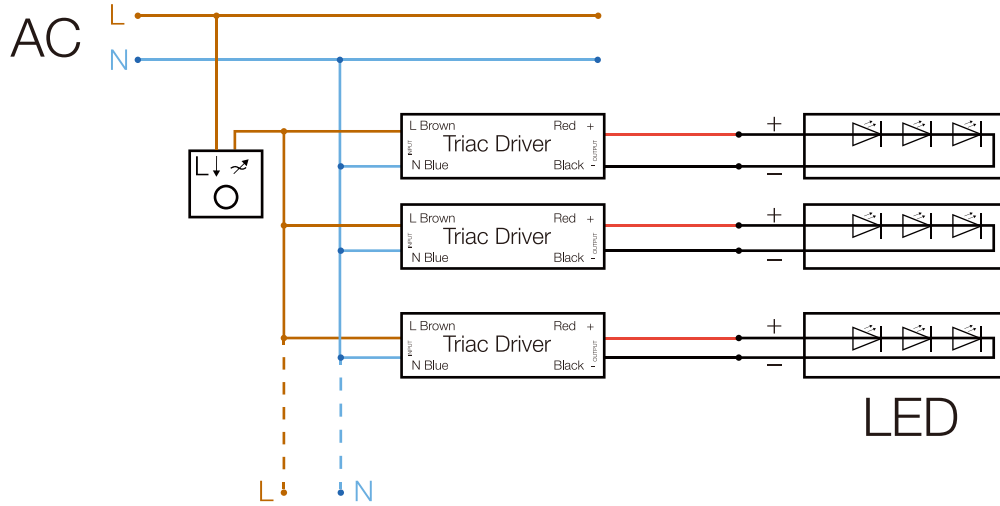
TRIAC Dimming for 120VAC / Non-Dimming for 277VAC

DIMENSIONS

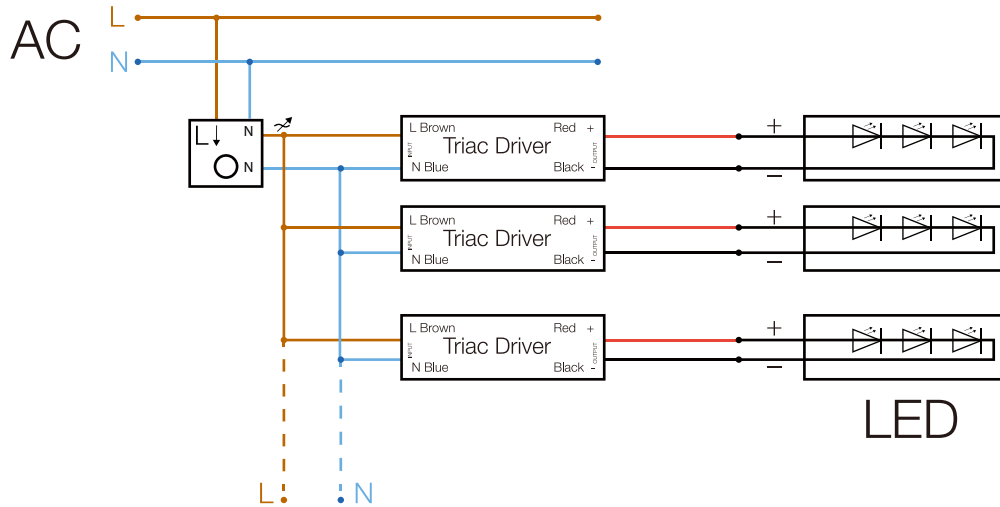


Connecting Diagram

Triac Dimmer
(Lutron & Clipsal
C-Bus System)



Triac Dimmer
(Lutron & Clipsal
C-Bus System)



LUTRON
Triac Dimmer

