

# H-LED2-3R

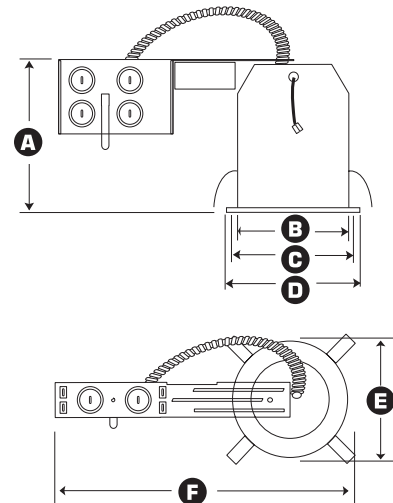
## 3" ARCHITECTURAL REMODEL LED DOWNLIGHT



**500  
LUMENS**

INPUT VOLT.	INPUT FREQ.	INPUT CUR.	THD	POWER FACTOR	INPUT POWER	LUMENS
120/277	50/60Hz	66mA/28mA	<20%	>0.9	8W(+/-5%)	500

**SAME DAY**  
SHIPPING AVAILABLE



- A** Height = 5-1/2"
- B** Trim Aperture = 3-1/2"
- C** Cut-out = 3-3/4"
- D** Trim Outside Dia. = 3-7/8"
- E** Width = 3-3/4"
- F** Length = 12-1/2"

**DESCRIPTION** - 3" LED dedicated Architectural Remodel NON-IC housing with the driver installed on the junction box. Designed for remodel construction installations and suitable for use in ceilings where insulation is kept 3 inches from housing. The excellent color rendering index of 85+ and realistic color temperature confirms that the MAXILUME LED luminaires are ideally suited for use in hospitality, health care, commercial, retail and residential applications. Producing over 500 usable lumens, the lighting is smooth and comfortable while using nearly 80% less energy than the equivalent 50W BR20/PAR20 or MR16. Plus the eco-friendly MAXILUME LED system features 70% lumen maintenance at 50,000hrs life.

**FEATURES** - Greater light output than a 50W BR20/PAR20 or MR16 while. Spot distribution is ideal for task lighting applications.



**DURABILITY** - Our die-cast system pulls the heat from the LED chip, allowing continued cool operation for years. Life tests have shown MAXILUME LED output will be maintained at 70% of initial lumens at 50,000hrs of operation.

**DRIVER** - Our LED driver is rated for 50 to 60 Htz, produces less than 20% THD, has a power factor between 0.90 and 1.00 and is thermally protected for additional safety. MAXILUMEs driver is installed on the junction box cover, it is easily accessible for service from below the ceiling. Additionally, a 277V option is available.

**DIMMABLE** - The MAXILUME LED system is fully dimmable down to 10% of initial light output with select Triac & Electronic Low Voltage dimmer when ordered with the following option (DIMTR-120). Applications requiring 277V are not dimmable. Consult Factory for details.

**REPEATABLE** - Repeatability means quality. From our chip selection process, to our driver, to the thermal management, MAXILUME LED is engineered for quality. Our superior design allows for installation in construction that requires the MAXILUME Air-Shut™ system. All MAXILUME LED luminaires are rated at 90+ CRI and 3,500 degrees Kelvin, as rated and tested to LM-79 and LM-80 standards by a certified laboratory, and meets the California Title-24 compliance standards.

**HOUSING** - Die-formed high temperature painted 22 gauge steel deep-drawn for maximum heat dissipation and rust protection. Designed for remodel installations and is suitable for use in ceilings where insulation is kept 3 inches from housing. May be installed in 2" x 6" joist construction.

**INSTALLATION** - For fast and easy installation in existing plaster or mechanical ceilings the housing installs from below the ceiling. Three preinstalled spring clips will secure the housing firmly into ceiling to accommodate different ceiling thicknesses from 1/2" to 1-3/8". The installation time is less than 15 minuets.

**JUNCTION BOX** - UL Listed for through-branch circuit wiring, provided with eight 1/2" knockouts and four Romex knockouts with true pry-out slots and strain clamps.

**THERMAL PROTECTION** - Standard thermal protection device guards against improper installation and misuse of insulation material.

**OUR WORD** - The MAXILUME LED lighting system carries a five-year carefree warranty for parts and components. (Labor not included.)

**LISTING**

c-UL-us - listed for Damp location.  
c-UL-us - listed for feed Through Wiring.  
LM79 / LM80

**DIMMING INFORMATION**

DIMTR (Triac & Electronic Low Voltage Dimming)

Please see page 166 for Trim Options

Example: H-LED2-3R-500L-DIMTR-120-AT/LED2-1301-8W-ND-30K-W-WH

TYPE		500 LUMENS					
H-LED2-3R		<input type="checkbox"/> 500L-DIMTR-120 <input type="checkbox"/> 500L-DIM10-MVOLT					
TRIM TYPE	SERIES	OPTICS	CCT		CRI	FINISH	
LED2-1301 (BAFFLE)	<input type="checkbox"/> 500L	<input type="checkbox"/> ND (Narrow)	<input type="checkbox"/> 27K <input type="checkbox"/> 30K <input type="checkbox"/> 35K	<input type="checkbox"/> 40K <input type="checkbox"/> 50K (85+ CRI only)	<input type="checkbox"/> 85+ <input type="checkbox"/> 90+	<input type="checkbox"/> W-WH <input type="checkbox"/> P-WH <input type="checkbox"/> SN-SN	<input type="checkbox"/> P-BK <input type="checkbox"/> CP-CP <input type="checkbox"/> BZ-BZ
TRIM TYPE	SERIES	OPTICS	CCT		CRI	FINISH	
LED2-1302 (REFLECTOR)	<input type="checkbox"/> 500L	<input type="checkbox"/> ND (Narrow)	<input type="checkbox"/> 27K <input type="checkbox"/> 30K <input type="checkbox"/> 35K	<input type="checkbox"/> 40K <input type="checkbox"/> 50K (85+ CRI only)	<input type="checkbox"/> 85+ <input type="checkbox"/> 90+	<input type="checkbox"/> CL-WH <input type="checkbox"/> W-WH <input type="checkbox"/> BZ-BZ <input type="checkbox"/> RG-WH	<input type="checkbox"/> MB-WH <input type="checkbox"/> CL-CH <input type="checkbox"/> CP-CP <input type="checkbox"/> CP-WH <input type="checkbox"/> SN-WH
TRIM TYPE	SERIES	OPTICS	CCT		CRI	FINISH	
LED2-1362 (LENSED)	<input type="checkbox"/> 500L	<input type="checkbox"/> MD (Medium)	<input type="checkbox"/> 27K <input type="checkbox"/> 30K <input type="checkbox"/> 35K	<input type="checkbox"/> 40K <input type="checkbox"/> 50K (85+ CRI only)	<input type="checkbox"/> 85+ <input type="checkbox"/> 90+	<input type="checkbox"/> CP <input type="checkbox"/> WH	<input type="checkbox"/> BZ <input type="checkbox"/> SN <input type="checkbox"/> BK <input type="checkbox"/> CH

3 INCH ARCHITECTURAL LED DOWNLIGHT

Gather the light scattered by the LED chip, shape it into a functional beam with a glare reducing cone that has a 55-degree cut-off. Now you have the Elite engineered, superior quality, 3" architectural LED downlight; producing over 350 lumens.

Among the trim options are: white, black, Copper, Bronze or satin nickel architectural low glare baffle with a variety of trim ring color options. Die-cast aluminum trim and integral heat management system are engineered for extremely long life and service period.

The heat sink extrusion is made from 3001 aluminum and is engineered to be in intimate contact with the die-cast trim. The cast trim has been designed to maximize reflective surface areas while keeping effective heat dissipation a priority.

As technology improves or the needs of a space changes, the Elite architectural 3" LED trim can be upgraded. Simply pull it down from the housing and unplug the quick EZ-disconnect. Putting in a new trim is just as easy and there is no danger of electrical shock. The EZ-connect system eliminates incidental contact and the system is powered by less than 12 volts.

## BAFFLE WITH NARROW LIGHT DISTRIBUTION

### COVERED BY U.S. PATENT NUMBERS: D646011S



LED2-1301-500L-ND- **A** - **B** -P-BK

Photometric Multiplier .75



LED2-1301-500L-ND- **A** - **B** -BZ-BZ

Photometric Multiplier .85



LED2-1301-500L-ND- **A** - **B** -W-WH

Photometric Multiplier 1.0



LED2-1301-500L-ND- **A** - **B** -SN-SN

Photometric Multiplier .92



LED2-1301-500L-ND- **A** - **B** -CP-CP

Photometric Multiplier .87



LED2-1301-500L-ND- **A** - **B** -P-WH

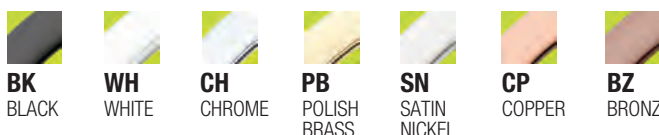
Photometric Multiplier .75

Example: LED2-1301-500L-ND-30K-W-WH

TYPE	SERIES	OPTICS	(A) CCT	(B) CRI	FINISH
LED2-1301	<input type="checkbox"/> 500L	<input type="checkbox"/> ND (Narrow)	<input type="checkbox"/> 27K <input type="checkbox"/> 40K <input type="checkbox"/> 30K <input type="checkbox"/> 50K (85+ CRI only) <input type="checkbox"/> 35K	<input type="checkbox"/> 85+ <input type="checkbox"/> 90+	<input type="checkbox"/> W-WH <input type="checkbox"/> CP-CP <input type="checkbox"/> P-WH <input type="checkbox"/> BZ-BZ <input type="checkbox"/> SN-SN <input type="checkbox"/> P-BK

#### BAFFLE FINISH:

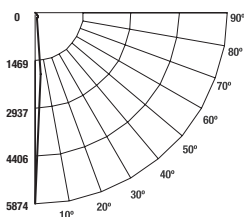
#### TRIM/RING FINISH:



#### THE MOST UP TO DATE PHOTOMETRIC DATA IS AVAILABLE ONLINE @ WWW.IUSEELITE.COM

TRIM: LED2-1301-500L-ND-50K-W-WH  
 TEST NO.: ELT-LED2-1301-0300  
 LUMENS: 510.7  
 SPACING CRITERIA: 0.14

Candle Power Distribution Curve (Candela)



Candela Distribution

Vertical Angel	Candela at Horizontal Angel 0
0	5874
5	1904
15	173
25	151
35	138
45	83
55	3
65	3
75	3
85	3
90	0

Zonal Lumen Summary

Zone	Lumens	%Lamp	%Fixture
0-30	324.3	66.6%	66.6%
0-40	410.8	84.4%	84.4%
0-60	477.7	98.1%	98.1%
0-90	487.0	100%	100%

LED  
3"

3 INCH ARCHITECTURAL LED OPTICS

**REFLECTOR WITH NARROW LIGHT DISTRIBUTION**



**LED2-1302-500L-ND- A - B -CL-WH**

*Photometric Multiplier 1.0*



**LED2-1302-500L-ND- A - B -CP-WH**

*Photometric Multiplier .90*



**LED2-1302-500L-ND- A - B -SN-WH**

*Photometric Multiplier .87*



**LED2-1302-500L-ND- A - B -CL-CH**

*Photometric Multiplier 1.0*



**LED2-1302-500L-ND- A - B -CP-CP**

*Photometric Multiplier .90*



**LED2-1302-500L-ND- A - B -SN-SN**

*Photometric Multiplier .87*



**LED2-1302-500L-ND- A - B -CL-SN**

*Photometric Multiplier 1.0*



**LED2-1302-500L-ND- A - B -BZ-BZ**

*Photometric Multiplier .87*



**LED2-1302-500L-ND- A - B -RG-WH**

*Photometric Multiplier .90*



**LED2-1302-500L-ND- A - B -MB-WH**

*Photometric Multiplier .77*



**LED2-1302-500L-ND- A - B -MB-BK**

*Photometric Multiplier .77*



**LED2-1302-500L-ND- A - B -W-WH**

*Photometric Multiplier .95*



**LED2-1362-500L-MD- A - B**



**LED**  
**3"**

3 INCH ARCHITECTURAL LED OPTICS

Example: **LED2-1302-500L-ND-30K-W-WH**

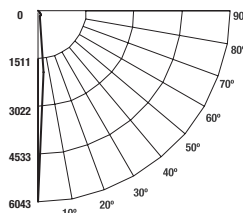
TYPE	SERIES	OPTICS	(A) CCT	(B) CRI	FINISH
LED2-1302	<input type="checkbox"/> 500L	<input type="checkbox"/> ND (Narrow)	<input type="checkbox"/> 27K <input type="checkbox"/> 35K <input type="checkbox"/> 50K (85+ CRI only) <input type="checkbox"/> 30K <input type="checkbox"/> 40K	<input type="checkbox"/> 85+ <input type="checkbox"/> 90+	<input type="checkbox"/> CL-WH <input type="checkbox"/> BZ-BZ <input type="checkbox"/> MB-WH <input type="checkbox"/> CL-SN <input type="checkbox"/> CP-WH <input type="checkbox"/> SN-WH <input type="checkbox"/> CL-CH <input type="checkbox"/> SN-SN <input type="checkbox"/> W-WH <input type="checkbox"/> RG-WH <input type="checkbox"/> CP-CP <input type="checkbox"/> MB-BK

TYPE	SERIES	OPTICS	(A) CCT	(B) CRI	FINISH
LED2-1362	<input type="checkbox"/> 500L	<input type="checkbox"/> MD (Medium)	<input type="checkbox"/> 27K <input type="checkbox"/> 35K <input type="checkbox"/> 50K (85+ CRI only) <input type="checkbox"/> 30K <input type="checkbox"/> 40K	<input type="checkbox"/> 85+ <input type="checkbox"/> 90+	<input type="checkbox"/> CP <input type="checkbox"/> WH <input type="checkbox"/> BZ <input type="checkbox"/> SN <input type="checkbox"/> BK <input type="checkbox"/> CH

**THE MOST UP TO DATE PHOTOMETRIC DATA IS AVAILABLE ONLINE @ [WWW.IUSEELITE.COM](http://WWW.IUSEELITE.COM)**

TRIM: **LED-1302-500L-ND-50K-CL-WH**  
TEST NO.: **ELT-LED2-1302-0315**  
LUMENS: **545.6**  
SPACING CRITERIA: **.14**

Candle Power Distribution Curve (Candela)



Vertical Angle	Candela at Horizontal Angle 0
0	6043
5	1982
15	190
25	167
35	149
45	91
55	5
65	3
75	3
85	2
90	0

Zonal Lumen Summary

Zone	Lumens	%Lamp	%Fixture
0-30	344.6	66.1%	66.1%
0-40	438.1	84.1%	84.1%
0-60	513.0	98.4%	98.4%
0-90	521.1	100%	100%