

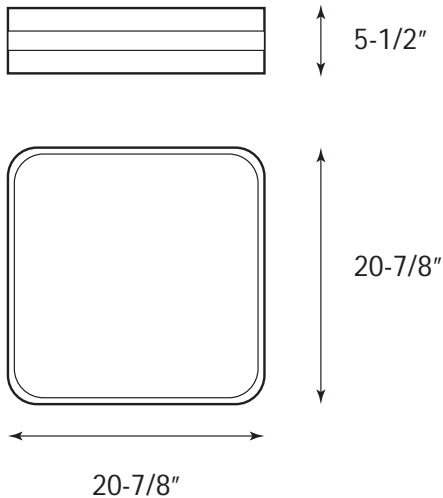
GLOW-LED

UP TO
3000
LUMENS

GLOW LED PENDANT SERIES



DIMENSIONS:



Catalog Number:

Project Name:

Type:

Note:

ORACLE
LIGHTING

APPLICATION - Glow is a modern form with its sleek and smooth edges. Its clean architectural appearance is versatile and suitable for many applications. Glow can be used in many environments, such as, boardrooms, restaurants, modern condominiums, open ceiling office plans and assisted living facilities. Glow is an ideal solution for an interest in a contemporary aesthetics.

CONSTRUCTION - Rigid aluminum design ensures longevity and endurance plus a high quality, high transmission, glare free lens for smooth illumination. Glow offers a side lit horizontal lens for architectural detail.

PERFORMANCE - The honeycomb light engines found in the Glow are rated at 80+ CRI and are available in multiple CCTs: 3000K, 3500K and 4000K. Rated and tested to LM-79 and LM-80 standards. The LEDs are also binned to a 3-step MacAdam ellipse to achieve consistent color from fixture to fixture.

ELECTRICAL - Powered by high-quality constant-current power LED drivers which are rated for 50 to 60Hz at 120-277V input, produce less than 20% THD, and have a power factor of .90 to 1.00.

DIMMING - The GLOW-LED comes standard with 0-10V dimming on either in 120 and 277V. 347V please consult factory. Dimmable down to 1% of initial lumens. Also available in Lutron dimming options. Consult factory for dimmer compatibility.

MOUNTING - Comes standard in ceiling mount or adjustable cable suspension system providing fast installation into a variety of interior heights, including sloped ceilings. Consult factory for additional mounting options.

QUALITY CONTROL - Every fixture is rigorously tested by our QC Department before shipping.

LISTING - ETL/C-ETL listed to US and Canadian standards

WARRANTY - Limited 5 Year Warranty

EXAMPLE: GLOWLED-2-1500L-DIM10-M/CLT-40K-WH-CM

SERIES	SIZE	LUMENS - DIMMING	CCT	EMERGENCY	COLOR	MOUNTING OPTION
GLOWLED	2(1.7)	<ul style="list-style-type: none"> o 3000L-DIM10-M/CLT o 3000L-LUTH-M/CLT o 3000L-DIMTR-120 	<ul style="list-style-type: none"> o 30K o 35K o 40K 	<ul style="list-style-type: none"> o EMV-LED Remote Mounted for Surface Mount	<ul style="list-style-type: none"> o WH (Matt White) Custom color available, please consult factory. Must provide RAL#	<ul style="list-style-type: none"> o CM Ceiling Mount o SM10" Suspended Mount (Consult factory for other sizes)

