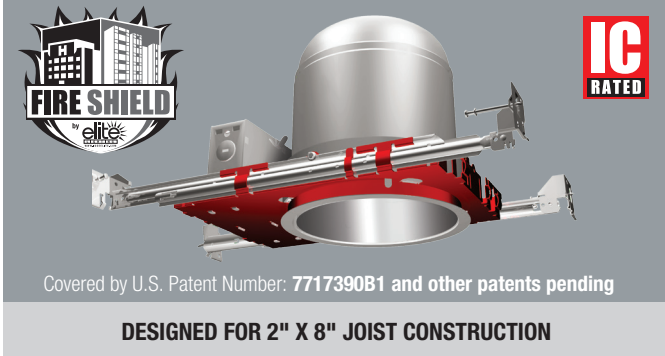


FS6PLIC-AT

6" CFL Fire Shield IC/Non-IC Housing 1 or 2-Hour Fire Rated Recessed Luminaire

LAMP WATTAGE: 26W/32W



Catalog Number:	
Project Name:	Type:
Note:	FIRE SHIELD

CFL LIGHTING FIXTURE CONFORMS TO ASTM STD 119

1-HOUR FIRE RATED Fire rated floor/ceiling assembly refer to UL Design No. L500 & P500	2-HOUR FIRE RATED Fire rated floor/ceiling assembly refer to UL Design No. L505
FOR MORE INFORMATION, PLEASE REFER TO THE INSTRUCTION MANUAL	

Our FIRE SHIELD Housing Is Designed To Meet Today's **One or Two-Hour Fire-Rated IC & Non-IC Codes for high-rise Condominiums, Apartment Buildings, Multi-Family Residences, Hotels, Hospitality, Assisted Living Homes, Hospitals, Health Care and many more applications.** Accommodates up to 32W DTT/TTT 4-pin compact fluorescent lamp. Furnished with preinstalled adjustable bar hangers. Junction box is provided with four 1/2" KOs, one 3/4" KO and four Romex knockouts with strain relief.

FIRE PROTECTION PERFORMANCE

- The luminaire ships assembled with the fire protection material already attached in their working positions
- As the fire intensifies, a protection disk seals off the bottom opening of the housing and stops the fire from passing through the fixture
- The inner assembly reacts strongly to high temperatures (428°F/220°C and above) and swells to a solid dense mass filling the entire luminaire cavity
- Prevents flames and smoke from passing through the light fixture and spreading throughout floor above
- Fire Shield recessed lighting luminaire eliminates the use of subcontractors to build additional boxes around a luminaire to achieve a 1-hour or 2-hour fire rating
- The Fire Shield family of Lighting luminaires protect the floors above by preventing heat and flames from passing into the ceiling void
- Easier and faster to install than custom-built fireboxes and housings that require hats or additional fire-rated materials

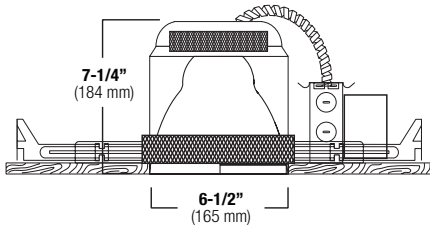
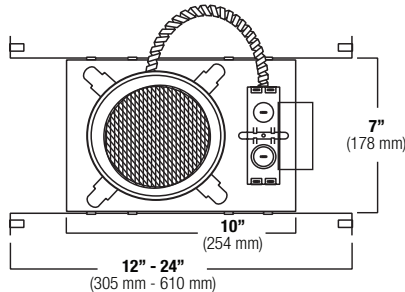
C. BALLAST - Thermally protected, current controlled ballast, will produce full light output, increase lamp life with no noise and flicker. Ballast supplied is manufactured by Advance.

D. BAR HANGERS - Preinstalled bar hangers allow housing to be positioned and locked at any point within a 24" joist span. They can be positioned on either the long or short axis of the housing and can be shortened for 12" joists. They contain a double-headed real nail for 20° downward angle for better contact, and the 90° pivoting mounting plate makes installation fast and accurate.

E. JUNCTION BOX - listed for through-branch circuit wiring and has four 1/2" KOs, one 3/4" KO and four Romex knockouts with true pry-out slots and strain clamps.

AIR-SHUT ASTM E283

- Gasket to prevent air flow from heated or air conditioned spaces.
- Meets all national air flow requirements.



LAMP BASE GUIDE	
(Sockets will accept all designated lamp bases listed.)	
26W	32W
G24q-3	GX24q-3
GX24q-3	GX24q-4
GX24q-4	

SPECIFICATION

A. HOUSING - High temperature painted 22 gauge cold-rolled steel construction for maximum heat dissipation and rust protection. Factory assembled with 1 or 2 hour Fire-rated components. Adjusts vertically in plaster frame to accommodate 1/2" to 1 -3/4" ceiling. This includes ceiling constructions of all 1 hour and 2 hour fire-rated assemblies

B. SOCKET - One vertically mounted plug-in socket. Utilized optics guarantees proper trim to housing installation. Tool-less installation adjusts from inside the housing.



FS6PLIC-AT - ITEM SELECTOR: (Please check the boxes below for the option desired)

WATTAGE	BALLAST	VOLTAGE	EMERGENCY OPTIONS	TRIM TYPE	BAFFLE ¹	REFLECTOR ²	TRIM/RING ³
<input type="checkbox"/> 26W* <input type="checkbox"/> 32W * 26W - maxi. lamp wattage for Trims with Lens 13w & 18W - Please consult factory	<input type="checkbox"/> (E) Electronic DIMMING <input type="checkbox"/> Mark 7 <input type="checkbox"/> Mark 10 <input type="checkbox"/> Lut-E (EC3D)	<input type="checkbox"/> 120 <input type="checkbox"/> 277	<input type="checkbox"/> EMG 750 (750 Lumens) <input type="checkbox"/> EMG 1300 (1300 Lumens) <input type="checkbox"/> EMG-D-750 (750 Lumens) <input type="checkbox"/> ICE-1300 (1300 Lumens) OTHER OPTIONS <input type="checkbox"/> FUSE <input type="checkbox"/> RIF	<input type="checkbox"/> AF640 - 6" Deep Self-Flange Air-Shut Matte Finish Baffle ^{1,3} <input type="checkbox"/> AF632 - 6" Air-Shut Reflector ^{2,3} <input type="checkbox"/> AF601* - 6" Metal Albalite Shower Trims ³ <input type="checkbox"/> AF601L - 6" Poly. Albalite Shower Trims <input type="checkbox"/> AF605* - 6" Metal Fresnel Shower Trims ³ <input type="checkbox"/> AF605L - 6" Poly. Fresnel Shower Trims <input type="checkbox"/> AF606* - 6" Metal Drop Opal Shower Trims ³ <input type="checkbox"/> AF606L - 6" Poly. Drop Opal Shower Trims <input type="checkbox"/> AF635* - 6" Baffle w/ Albalite Lens ^{1,3} <input type="checkbox"/> AF636* - 6" Baffle w/ Fresnel Lens ^{1,3} <input type="checkbox"/> AF641* - 6" Reflector w/ Albalite Lens ^{2,3} <input type="checkbox"/> AF642* - 6" Reflector w/ Fresnel Lens ^{2,3}	<input type="checkbox"/> W <input type="checkbox"/> P <input type="checkbox"/> SN <input type="checkbox"/> CP <input type="checkbox"/> BZ	<input type="checkbox"/> CL <input type="checkbox"/> RG <input type="checkbox"/> W <input type="checkbox"/> MB <input type="checkbox"/> BZ <input type="checkbox"/> CP <input type="checkbox"/> SN <input type="checkbox"/> SHZ	<input type="checkbox"/> WH <input type="checkbox"/> BK <input type="checkbox"/> SN <input type="checkbox"/> CP <input type="checkbox"/> CH <input type="checkbox"/> PB <input type="checkbox"/> BZ

EMG = Emergency battery pack w/ remote test switch • EMG-D = Emergency battery pack w/ remote test switch for damp location • ICE = Emergency battery pack w/ remote test switch operating between -18°C and 55°C
 • FUSE = Single slow-blow fuse • RIF = Radio interference filter

Specifications:

FS6PLIC-AT _____ - _____ - _____ - _____ - _____ - _____ - _____ - _____ - _____ - _____

WATT BALLAST DIMMING VOLTAGE EMERGENCY OPTIONS TRIM TYPE BAFFLE REFLECTOR RING

BAFFLE ¹	REFLECTOR ²	TRIM/RING ³
W White	CL Chrome	WH White
P Black	RG Gold	BK Black
SN Satin Nickel	W White	SN Satin Nickel
CP Copper	MB Black	CP Copper
BZ Bronze	BZ Bronze	CH Chrome
	CP Copper	PB Polish Brass
	SN Satin Nickel	BZ Bronze
	SHZ Satin Haze	

Sample of Catalog Number: FS6PLIC-AT-26W-E-120-EMG750-AF640W-WH

*For custom baffle, reflector, trim ring, glass color and lens options, please consult factory.



Submittal form is available @ www.fireshieldlighting.com
 Tel: 323-888-1973 • Fax: 323-888-1977

Specifications and Dimensions subject to change without notice.

6" CFL Trims

(LAMP WATTAGE: 26W / 32W)

Catalog Number:

Project Name:

Type:

Note:

FIRE SHIELD

AF640W-WH Deep Self Flange Air-Shut Matte Finish Baffle



AVAILABLE COLOR COMBINATIONS:
CP-CP, SN-SN, W-WH, P-WH, P-BK, BZ-BZ

(LAMP WATTAGE: 26W / 32W)

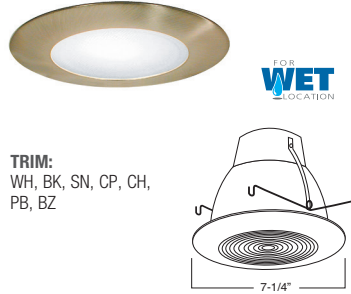
AF632CL-WH Air-Shut Reflector



AVAILABLE COLOR COMBINATIONS:
CL-WH, CL-CH, RG-WH, RG-PB, W-WH, MB-WH, CP-CP, MB-BK, SN-SN, SN-WH

(LAMP WATTAGE: 26W / 32W)

AF601SN Metal Albalite Shower Trims



TRIM:
WH, BK, SN, CP, CH, PB, BZ

(LAMP WATTAGE: 26W)

AF601L Non-Conducting Polycarbonate Front Loading Albalite Shower Trim



AVAILABLE TRIM COLOR:
WH

(LAMP WATTAGE: 26W)

AF605CH Metal Fresnel Shower Trims



AVAILABLE TRIM COLOR:
WH, BK, SN, CP, CH, PB, BZ

(LAMP WATTAGE: 26W)

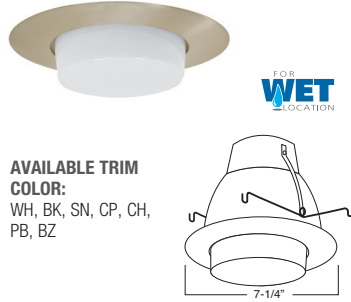
AF605L Non-Conducting Polycarbonate Front Loading Fresnel Shower Trims



AVAILABLE TRIM COLOR:
WH

(LAMP WATTAGE: 26W)

AF606SN Metal Drop Opal Shower Trims



AVAILABLE TRIM COLOR:
WH, BK, SN, CP, CH, PB, BZ

(LAMP WATTAGE: 26W)

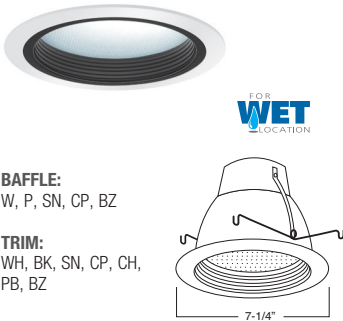
AF606L Non-Conducting Polycarbonate Front Loading Drop Opal Shower Trims



AVAILABLE TRIM COLOR:
WH

(LAMP WATTAGE: 26W)

AF635P-WH Baffle with Albalite Lens

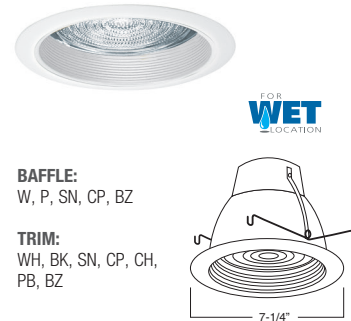


BAFFLE:
W, P, SN, CP, BZ

TRIM:
WH, BK, SN, CP, CH, PB, BZ

(LAMP WATTAGE: 26W)

AF636W-WH Baffle with Fresnel Lens

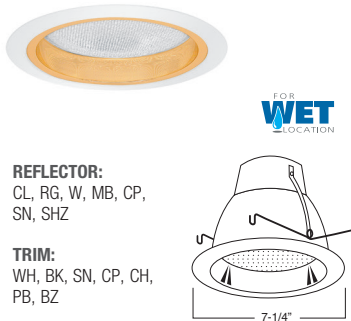


BAFFLE:
W, P, SN, CP, BZ

TRIM:
WH, BK, SN, CP, CH, PB, BZ

(LAMP WATTAGE: 26W)

AF641RG-WH Reflector with Albalite Lens

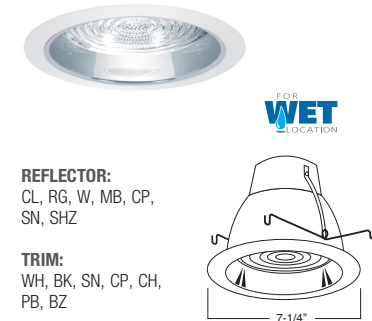


REFLECTOR:
CL, RG, W, MB, CP, SN, SHZ

TRIM:
WH, BK, SN, CP, CH, PB, BZ

(LAMP WATTAGE: 26W)

AF642CL-WH Reflector w/ Fresnel Lens



REFLECTOR:
CL, RG, W, MB, CP, SN, SHZ

TRIM:
WH, BK, SN, CP, CH, PB, BZ

(LAMP WATTAGE: 26W)

Trim Color Options



PATENT PENDING



Submittal form is available @ www.fireshieldlighting.com
Tel: 323-888-1973 • Fax: 323-888-1977

Specifications and Dimensions subject to change without notice.