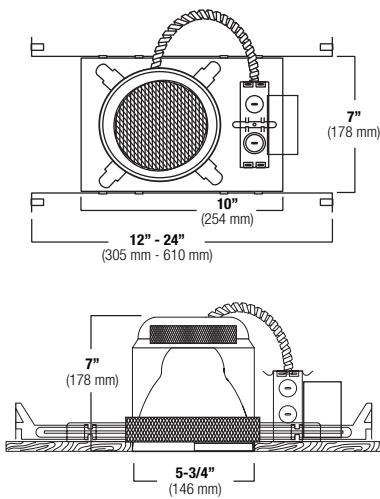
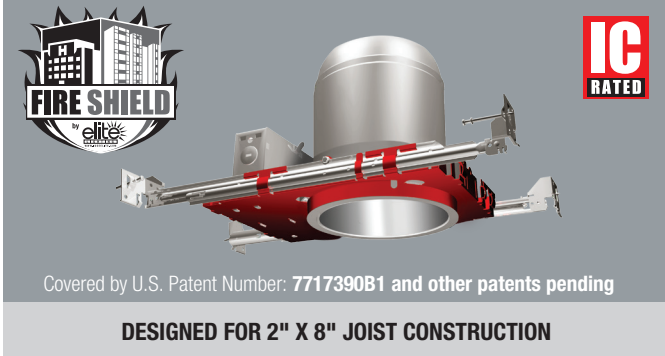


FS5PLIC-AT

5" CFL Fire Shield IC/Non-IC Housing 1 or 2-Hour Fire Rated Recessed Luminaire

LAMP WATTAGE: 13W/18W



LAMP BASE GUIDE (Sockets will accept all designated lamp bases listed.)	
13W	18W
G24q-1	G24q-2
GX24q-1	GX24q-2

FS5PLIC-AT - ITEM SELECTOR: (Please check the boxes below for the option desired)

WATTAGE	BALLAST	VOLTAGE	EMERGENCY OPTIONS	TRIM TYPE	BAFFLE	REFLECTOR	TRIM/RING
<input type="checkbox"/> 13W	<input type="checkbox"/> (E) Electronic	<input type="checkbox"/> 120	<input type="checkbox"/> EMG 750 (750 Lumens)	<input type="checkbox"/> B531	<input type="checkbox"/> W	<input type="checkbox"/> CL	<input type="checkbox"/> WH
<input type="checkbox"/> 18W		<input type="checkbox"/> 277	<input type="checkbox"/> EMG 1300 (1300 Lumens)	<input type="checkbox"/> B508	<input type="checkbox"/> P	<input type="checkbox"/> RG	<input type="checkbox"/> BK
			<input type="checkbox"/> EMG-D-750 (750 Lumens)		<input type="checkbox"/> SN	<input type="checkbox"/> W	<input type="checkbox"/> SN
			<input type="checkbox"/> ICE-1300 (1300 Lumens)		<input type="checkbox"/> CP	<input type="checkbox"/> MB	<input type="checkbox"/> CP
	DIMMING		OTHER OPTIONS		<input type="checkbox"/> BZ	<input type="checkbox"/> BZ	<input type="checkbox"/> CH
	<input type="checkbox"/> Mark 7		<input type="checkbox"/> FUZE			<input type="checkbox"/> CP	<input type="checkbox"/> PB
	<input type="checkbox"/> Mark 10		<input type="checkbox"/> RIF			<input type="checkbox"/> SN	<input type="checkbox"/> BZ
	<input type="checkbox"/> Lut-E (EC3D)					<input type="checkbox"/> SHZ	

MARK 7 - Not available in 13W • **MARK 10** - Not available in 13W must specify voltage • **UT-E (EC3D)** - Not available in 13W • **EMG** - Emergency battery pack w/ remote test switch • **EMG-D** - Emergency battery pack w/ remote test switch for damp location • **ICE** - Emergency battery pack w/ remote test switch operating between -18°C and 55°C • **FUZE** - Single slow-blow fuse • **RIF** - Radio interference filter

Specifications:

FS5PLIC-AT

WATT BALLAST VOLTAGE AIR-SHUT EMERGENCY OPTIONS TRIM TYPE REFLECTOR BAFFLE RING GLASS

Sample of Catalog Number: **FS5PLIC-AT-18W-E-EMG750-B531W-WH**

*For custom baffle, reflector, trim ring, glass color and lens options, please consult factory.



Submittal form is available @ www.fireshieldlighting.com
Tel: 323-888-1973 • Fax: 323-888-1977

Specifications and Dimensions
subject to change without notice.

Catalog Number:

Project Name:

Type:

Note:

FIRE SHIELD

CFL LIGHTING FIXTURE CONFORMS TO ASTM STD 119

1-HOUR FIRE RATED

Fire rated floor/ceiling assembly
refer to UL Design No. L500 & P500

2-HOUR FIRE RATED

Fire rated floor/ceiling assembly
refer to UL Design No. L505

FOR MORE INFORMATION, PLEASE REFER TO THE INSTRUCTION MANUAL

Our FIRE SHIELD Housing Is Designed To Meet Today's **One or Two-Hour Fire-Rated IC & Non-IC Codes for high-rise Condominiums, Apartment Buildings, Multi-Family Residences, Hotels, Hospitality, Assisted Living Homes, Hospitals, Health Care and many more applications.** Accommodates up to 18W DTT/TTT 4-pin compact fluorescent lamp. Furnished with preinstalled adjustable bar hangers. Junction box is provided with four 1/2" KOs, one 3/4" KO and four Romex knockouts with strain relief.

FIRE PROTECTION PERFORMANCE

- The luminaire ships assembled with the fire protection material already attached in their working positions
- As the fire intensifies, a protection disk seals off the bottom opening of the housing and stops the fire from passing through the fixture
- The inner assembly reacts strongly to high temperatures (428°F/220°C and above) and swells to a solid dense mass filling the entire luminaire cavity
- Prevents flames and smoke from passing through the light fixture and spreading throughout floor above
- Fire Shield recessed lighting luminaire eliminates the use of subcontractors to build additional boxes around a luminaire to achieve a 1-hour or 2-hour fire rating
- The Fire Shield family of Lighting Luminaires protect the floors above by preventing heat and flames from passing into the ceiling void
- Easier and faster to install than custom-built fireboxes and housings that require hats or additional fire-rated materials

SPECIFICATION

A. HOUSING - High temperature painted 22 gauge cold-rolled steel construction for maximum heat dissipation and rust protection. Factory assembled with 1 or 2 hour Fire-rated components. Adjusts vertically in plaster frame to accommodate 1/2" to 1 -3/4" ceiling. This includes ceiling constructions of all 1 hour and 2 hour fire-rated assemblies

B. SOCKET - One vertically mounted plug-in socket. Unitized optics guarantees proper trim to housing installation. Tool-less installation adjusts from inside the housing.

C. BALLAST - Thermally protected, current controlled ballast, will produce full light output, increase lamp life with no noise and flicker. Ballast supplied is manufactured by Advance.

D. BAR HANGERS - Preinstalled bar hangers allow housing to be positioned and locked at any point within a 24" joist span. They can be positioned on either the long or short axis of the housing and can be shortened for 12" joists. They contain a double-headed real nail for 20° downward angle for better contact, and the 90° pivoting mounting plate makes installation fast and accurate.

E. JUNCTION BOX - listed for through-branch circuit wiring and has four 1/2" KOs, one 3/4" KO and four Romex knockouts with true pry-out slots and strain clamps.

AIR-SHUT ASTM E283

- Gasket to prevent air flow from heated or air conditioned spaces.
- Meets all national air flow requirements.



BAFFLE	REFLECTOR	TRIM/RING
W White	CL Chrome	WH White
P Black	RG Gold	BK Black
SN Satin Nickel	W White	SN Satin Nickel
CP Copper	MB Black	CP Copper
BZ Bronze	BZ Bronze	CH Chrome
	CP Copper	PB Polish Brass
	SN Satin Nickel	BZ Bronze
	SHZ Satin Haze	

5" CFL Trims

(LAMP WATTAGE: 13W / 18W)

Catalog Number:

Project Name:

Type:

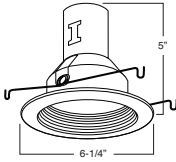
Note:

FIRE SHIELD

B531W-WH
Shallow Stepped Baffle



AVAILABLE COLOR COMBINATIONS:
CP-CP, SN-SN, W-WH, P-WH, P-BK, BZ-BZ

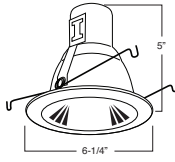


(LAMP WATTAGE: 18W)

B508CL-CH
Shallow Reflector



AVAILABLE COLOR COMBINATIONS:
CL-WH, CL-CH, RG-WH, RG-PB, W-WH, MB-WH, CP-CP, MB-BK, SN-SN, SN-WH



(LAMP WATTAGE: 18W)

Trim Color Options



W-WH
White White



P-BK
Black Black



BZ-BZ
Bronze Bronze



CP-CP
Copper Copper



SN-SN
Satin Nickel



CL-WH
Clear White



CL-CH
Clear Chrome



SN-SN
Satin Nickel



W-WH
White White



SN-WH
Satin White



MB-WH
Black White



RG-WH
Gold White



RG-PB
Gold Polish Brass



BZ-BZ
Bronze Bronze



CP-CP
Copper Copper



MB-BK
Black Black

PATENT PENDING



Submittal form is available @ www.fireshieldlighting.com
Tel: 323-888-1973 • Fax: 323-888-1977

Specifications and Dimensions subject to change without notice.