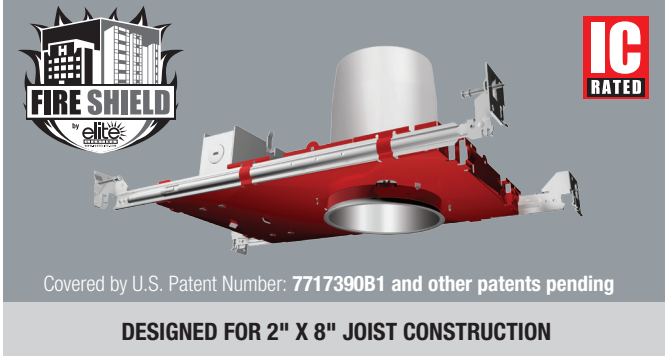


# FS4IC-AT

## 4" INC Fire Shield IC/Non-IC Housing 1 or 2 Hour Fire Rated Luminaire

LAMP WATTAGE: (1) MAXIMUM 50W R20, PAR20, A19



Catalog Number:	
Project Name:	Type:
Note:	<b>FIRE SHIELD</b>

INCANDESCENT LIGHTING FIXTURE CONFORMS TO ASTM STD 119

<b>1-HOUR FIRE RATED</b> Fire rated floor/ceiling assembly refer to UL Design No. L500 & P500	<b>2-HOUR FIRE RATED</b> Fire rated floor/ceiling assembly refer to UL Design No. L505
FOR MORE INFORMATION, PLEASE REFER TO THE INSTRUCTION MANUAL	

Our FIRE SHIELD Housing Is Designed To Meet Today's **One or Two-Hour Fire-Rated IC & Non-IC Codes for high-rise Condominiums, Apartment Buildings, Multi-Family Residences, Hotels, Hospitality, Assisted Living Homes, Hospitals, Health Care and many more applications.** Accommodates up to 50W PAR20, R20, and A19 lamps. Furnished with preinstalled adjustable bar hangers. Junction box is provided with four 1/2" KOs, one 3/4" KO and four Romex knockouts with strain relief.

### FIRE PROTECTION PERFORMANCE

- The luminaire ships assembled with the fire protection material already attached in their working positions
- As the fire intensifies, a protection disk seals off the bottom opening of the housing and stops the fire from passing through the fixture
- The inner assembly reacts strongly to high temperatures (428°F/220°C and above) and swells to a solid dense mass filling the entire luminaire cavity
- Prevents flames and smoke from passing through the light fixture and spreading throughout floor above
- Fire Shield recessed lighting luminaire eliminates the use of subcontractors to build additional boxes around a luminaire to achieve a 1-hour or 2-hour fire rating
- The Fire Shield family of Lighting Luminaires protect the floors above by preventing heat and flames from passing into the ceiling void
- Easier and faster to install than custom-built fireboxes and housings that require hats or additional fire-rated materials

**B. SOCKET** - Medium base screw shell porcelain socket preinstalled on adjustable mounting bracket is designed to allow usage of different lamp types, as well as proper and consistent lamp positioning.

**C. THERMAL PROTECTION** - Standard thermal protection device guards against improper installation, overlampping and misuse of insulation material.

**D. BAR HANGERS** - Preinstalled bar hangers allow housing to be positioned and locked at any point within a 24" joist span. They can be positioned on either the long or short axis of the housing and can be shortened for 12" joists. They contain a double-headed real nail for 20° downward angle for better contact, and the 90° pivoting mounting plate makes installation fast and accurate.

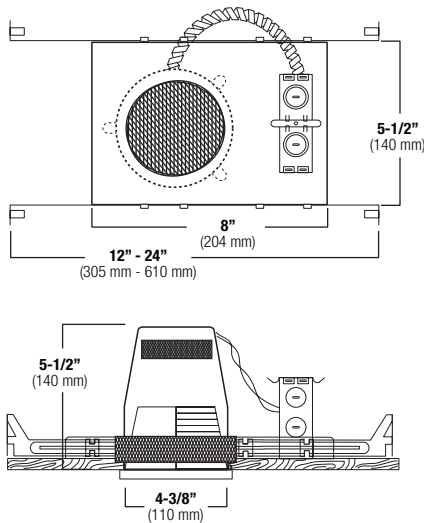
**E. JUNCTION BOX** - listed for through-branch circuit wiring and has four 1/2" KOs, one 3/4" KO and four Romex knockouts with true pry-out slots and strain clamps.

### SPECIFICATION

**A. HOUSING** - High temperature painted 22 gauge cold-rolled steel construction for maximum heat dissipation and rust protection. Factory assembled with 1 or 2 hour Fire-rated components. Adjusts vertically in plaster frame to accommodate 1/2" to 1 -3/4" ceiling. This includes ceiling constructions of all 1 hour and 2 hour fire-rated assemblies

### AIR-SHUT ASTM E283

- Gasket to prevent air flow from heated or air conditioned spaces.
- Meets all national air flow requirements.



U. S. PATENT PENDING

FS4IC-AT - ITEM SELECTOR: (Please check the boxes below for the option desired)

WATTAGE	TRIM TYPE	BAFFLE	REFLECTOR	TRIM/RING
FS4IC-AT	<input type="checkbox"/> FS401 <input type="checkbox"/> FS402 <input type="checkbox"/> FS462	<input type="checkbox"/> W <input type="checkbox"/> P <input type="checkbox"/> SN <input type="checkbox"/> CP <input type="checkbox"/> BZ	<input type="checkbox"/> CL <input type="checkbox"/> RG <input type="checkbox"/> W <input type="checkbox"/> MB <input type="checkbox"/> BZ <input type="checkbox"/> CP <input type="checkbox"/> SN <input type="checkbox"/> SHZ	<input type="checkbox"/> WH <input type="checkbox"/> BK <input type="checkbox"/> SN <input type="checkbox"/> CP <input type="checkbox"/> CH <input type="checkbox"/> PB <input type="checkbox"/> BZ

### Specifications:

FS4IC-AT                                                

TRIM TYPE    REFLECTOR    BAFFLE    RING

BAFFLE	REFLECTOR	TRIM/RING
W White	CL Chrome	WH White
P Black	RG Gold	BK Black
SN Satin Nickel	W White	SN Satin Nickel
CP Copper	MB Black	CP Copper
BZ Bronze	BZ Bronze	CH Chrome
	CP Copper	PB Polish Brass
	SN Satin Nickel	BZ Bronze



Submittal form is available @ [www.fireshieldlighting.com](http://www.fireshieldlighting.com)  
Tel: 323-888-1973 • Fax: 323-888-1977

Specifications and Dimensions subject to change without notice.

# 4" Incandescent Trims

LAMP WATTAGE: (1) MAXIMUM 50W R20, PAR20, A19

Catalog Number:

Project Name:

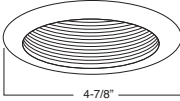
Type:

Note:

**FIRE SHIELD**

## FS401CP-CP

Stepped Baffle



**AVAILABLE BAFFLE COLOR:**  
W, P, SN, CP, BZ

**AVAILABLE TRIM COLOR:**  
WH, BK, SN, CP, CH, PB, BZ

( LAMP WATTAGE: **50W** )

## FS402CP-WH

Reflector



**AVAILABLE REFLECTOR COLOR:**  
CL, RG, W, MB, CP, SN, SHZ

**AVAILABLE TRIM COLOR:**  
WH, BK, SN, CP, CH, PB, BZ

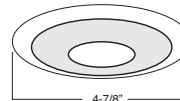
( LAMP WATTAGE: **50W** )

## FS462CL-WH

Semi-Frosted Lens w/ Reflector



FOR WET LOCATION



**AVAILABLE REFLECTOR COLOR:**  
CL, RG, W, MB, CP, SN

**AVAILABLE TRIM COLOR:**  
WH, BK, SN, CP, CH, PB, BZ

( LAMP WATTAGE: **35W** )

### Trim Color Options



**W-WH**  
White White



**P-BK**  
Black Black



**BZ-BZ**  
Bronze Bronze



**CP-CP**  
Copper Copper



**SN-SN**  
Satin Nickel



**CL-WH**  
Clear White



**CL-CH**  
Clear Chrome



**SN-SN**  
Satin Nickel



**W-WH**  
White White



**SN-WH**  
Satin White



**MB-WH**  
Black White



**RG-WH**  
Gold White



**RG-PB**  
Gold Polish Brass



**BZ-BZ**  
Bronze Bronze



**CP-CP**  
Copper Copper



**MB-BK**  
Black Black

PATENT PENDING



Submittal form is available @ [www.fireshieldlighting.com](http://www.fireshieldlighting.com)  
Tel: 323-888-1973 • Fax: 323-888-1977

Specifications and Dimensions subject to change without notice.