



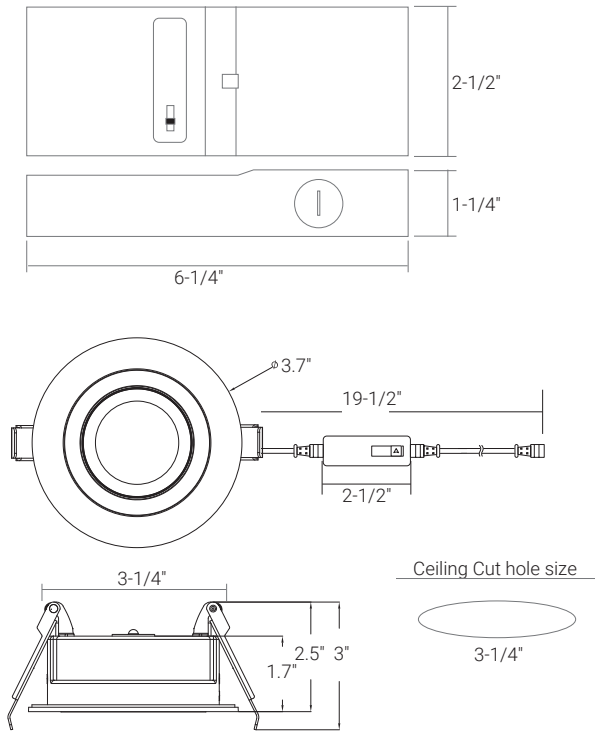
MULTILUMEN SELECTOR EASY 5 COLORS **SELECCTOR**
2700K • 3000K • 3500K • 4000K • 5000K



2 HOUR FIRE RATING

Tested to comply with UL 263, ASTM E119 & CAN ULC S101

DIMENSIONS



NOMINAL LUMENS	DELIVERED LUMENS	WATTAGE
700	700	8W
500	400	6W

Based on 4000K, 90+ CRI. Actual wattage may vary +/- 5%

INSTALLATION

Cut hole in ceiling. Insert luminaire into opening by squeezing spring clips on both sides of luminaire. The width in ceiling needed for the driver to fit is 3".

You MUST seal all gaps between the ceiling and fixture with weatherproof silicone sealant. This deters moisture and water from damaging fixtures and other mechanical ceiling elements.

FEATURES

2 hour fire rated 3" gimbal multi-lumen, multi-CCT LED engineered for new construction, remodel, or retrofit to accommodate insulated or dropped ceilings. Easily access field-adjustable 5-Color SeleCCTor switch by lowering the luminaire from the opening. Recessed housing not required, especially with limited plenum applications. Remote driver allows easy installation and maintenance. Small aperture and shallow depth are ideal for unlimited applications.

LUMENS	500L/700L
CCT	27K/30K/35K/40K/50K
CRI	90+
COLOR QUALITY	3 Step MacAdam Ellipse
CONSTRUCTION	Aluminum die-cast body and trim
TRIM OPTION	Gimbal
TRIM COLORS	White
DIMMING	Triac dimming(120V only) & 0-10V dimming(120-277V)
EMERGENCY	16W high voltage inverter (remote)
LUMEN MAINTANACE	L70 at 50,000 Hours
PHOTOMETRIC	In Accordance with IES LM79-08, LM80 and TM-30, TM-21

- 2-Hour fire rating providing a reinforced and heat resistant steel casing.
- Selectable color temperature: 27K, 30K, 35K, 40K & 50K
- Junction box with commercial grade driver included
- Triac Dimmable, Certified airtight, IC rated
- Easy installation with Heavy-Duty Commercial Grade Steel spring clip NO ADDITIONAL BOX REQUIRED
- Ambient operating temperature: -20°C (-4°F) to +40°C (+104°F).
- Aluminum Die Cast trim with powder paint coat preventing discoloring and rusting.
- ETL listed in USA & Canada. 2-HOUR FIRE RATING and complies with ASTM E119, UL 263. certified to CSA standard C22.2 No. 250.0-08
- 5-Year, no-compromise warranty.



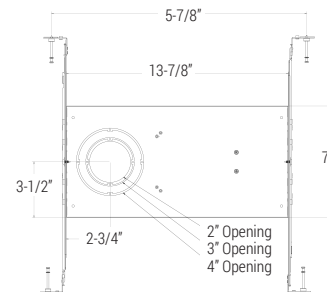
TRIM and DRIVER



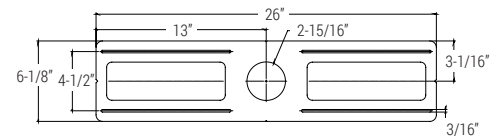
FS-RL373-500L/700L-DIMTR/120-DIM10/MVOLT-27K/30K/35K/40K/50K-90-MD-WH

TYPE	LUMEN/DIMMING	CCT	CRI	FINISH
FS-RL373	500L/700L-DIMTR/120-DIM10/MVOLT	27K/30K/35K/40K/50K	90	WH-White

ACCESSORIES



RL-UNV-2/3/4
For use with: 2", 3", 4"
Universal mounting plate



RL-UNV-2/3/4

ACCESSORIES

- RL-UNV-2/3/4** - Universal Mounting Plate for 2", 3" and 4"
- RL-ACC-SLIM-3-ROUGHPLATE** - 3" Mounting Plate
- EMG-LED-G-16W-HV-FLEX** - 16W high voltage inverter (remote)

