



LUMENS	900, 1200, 1500, 2000*
CCT	2700K, 3000K, 3500K, 4000K, 50000K, Dims to Warm
CRI	90+ Standard, 98+ Optional
COLOR QUALITY	2 Step MacAdam Ellipse
DISTRIBUTIONS	NSPD (15°), SPD (24°), MD (36°), WD (60°)
DIMMING / DRIVERS	DIM10, DIMTR LUTH, LUTFB, ELD010-1, ELD0DALI-1, ELD0DMX, DIMTR, BLE

EMERGENCY <small>(REMOTE ONLY)</small>	10W - Up to 1000L Output (Bodine BSL310) 20W - Up to 2000L Output (Bodine BSL20)
MOUNTING	Suspended, Pendant
FIXTURE FINISH	WH (White), BK (Black), BZ (Bronze), SI (Silver)
MATERIAL COLORS	Refer to SoftSense Material Color Chart (p4)
LIFETIME	L70 at 102,000 Hours
PHOTOMETRIC TESTS	In accordance w/ IES LM79-08 and LM80, TM-30, TM-21

EMERA

The **Rhapsody** family consists of acoustic pendant and suspended luminaires, blending timeless form with contemporary performance. The luminaire inside this is our highly sustainable and ultra-efficient architectural FCR2-LED cylinder. With its seamless, glare-free glow, it transforms open spaces into harmonious sanctuaries, embraced by sound-absorbing materials.

The **Emera** model is distinguished by its double profile, multi-bladed composition. Surrounding the luminaire, sculptural acoustic blades create a striking architectural presence while gently absorbing sound. Meticulously designed to elevate both acoustics and visual impact, it introduces depth, texture, and a refined sense of sophistication to modern interiors.



CONSTRUCTION

The cylinder body comes standard with a post-painted matte white finish and die-cast construction for maximum heat dissipation and rust protection.

THERMAL MANAGEMENT SYSTEM

This luminaire is engineered for an extremely long life with a unique thermal management system that involves the heat sink being attached inside of the extruded aluminum housing. The LED light engine is then attached to the extrusion heat sink and is easily replaceable and upgradeable.

SUPPORT CABLE / FEED

Standard 5-inch shallow ceiling mount canopy provided for direct installation with a 3-1/4" to 4" octagonal and square junction box. Suspended mount option is supplied with a 9 ft. field adjustable aircraft cable and power cord. Please consult factory for custom mounting and stem options.

ACOUSTIC MATERIAL - 9mm / 0.35" Thickness

Our panels come in 4' x 8' and are made from 100% polyethylene terephthalate (PET), with 50% post-consumer recycled material. PET is a moisture resistant green product with no added chemicals, binders, adhesives or dyes.

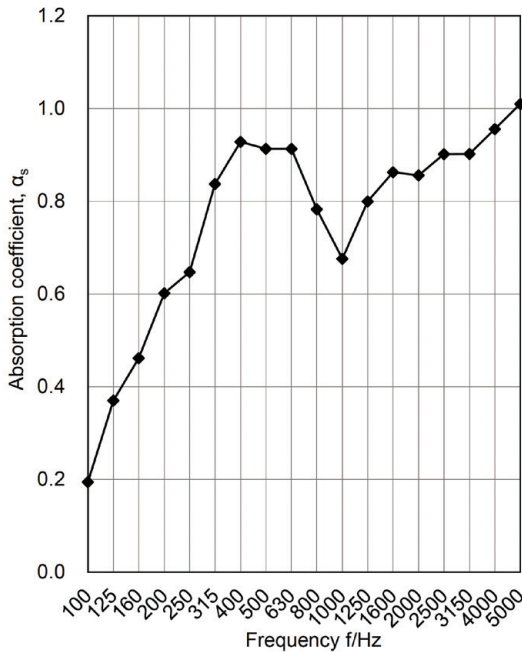
ACOUSTIC PANEL PERFORMANCE - 4' x 8' Panels

Acoustic performance of specific fixture / product will greatly vary based on mounting, installation, and configuration in a space.

Noise Reduction Coefficient (NRC) - 0.75

Weighted Sound Absorption Coefficient - $a_w = 0.85$

NRC is a widely used standard to test sound absorption for 2-dimensional objects. It is the average absorption coefficient obtained from four key 1/3 octave frequencies: 250, 500, 1000, 2000 Hz.



LED DYNAMIC PLATFORM OPTIONS

Tunable White with Smart White Technology utilizing the Lumenetix Platform allows you to color tune the luminaire via various controls. Create the perfect environment for the desired use of the space, while maintaining a CRI of 90+ across the tunable range of 8000 to 1650K.

Dims to Warm with Smart Dimming Technology. At 100% full brightness the luminaire is at 3500K. When dimmed to 1%, the light transitions to 1800K, creating a warm ambiance within the space.

RGB + White with Smart Hue Technology provides full color mixing of RGB and white colors. Utilizing the Lumenetix Platform allows you to choose from unlimited RGB color options, via various controls. Ideal for Circadian Rhythm applications or to create the perfect human centric environment.

DIMMING & DRIVER INFORMATION

DIM10 - Flicker Free 1% Dimming Standard (DIM10) 0-10V dimming on either MVOLT, 120V, 277V, or 347V

DIMTR - Triac & Electronic low voltage dimming. Available in 120V and up to 3000 Lumens only

LUTH - Lutron LDE1 Hi-Lume Eco System. 1% dimming with Soft in Fade to Black dimming technology.

LUTFB - Lutron PEQ0 Hi-Lume Premier Eco System. 0.1% dimming with Soft in Fade to Black dimming technology. Available on all luminaires up to 20 W.

ELDODMX - EldoLED PowerDrive dimming down to 0.1%. Please see EldoLED website for wiring diagrams and a list of compatible DMX and DALI control systems.

ELDO10.1 - EldoLED SoloDrive 0-10V. Dimming down to 0.1%

DALI - DALI DT6, DT8 dimming down to 1%

BLE - Luminaires may be controlled, grouped, scheduled, or placed in scenes and/or zones via Cassambi Bluetooth 4.0 App.

EMERGENCY OPTIONS / CONTROLS

Remote test switch included. External battery operates LED load (EMG-STD-LED-10W) of up to 1000L and EMG-LED-20W up to 2000L.

OPERATING TEMPERATURE

Luminaire must be installed and operated in damp or dry locations where the ambient temperature ranges from -4°F to 104°F (-20°C to 40°C)

MAINTENANCE / CARE

Acoustic material can be cleaned w/ a clean, soft, lint-free cloth or a vacuum.

WARRANTY

Five-year warranty for parts and components. (Labor not included.)

LISTINGS

c-UL-us - Listed for Feed Through Wiring.

EMI/RFI emissions per **FCC 47CFR Part 18 Class B**

RoHS compliant

Photometric testing completed in accordance with **IES LM-79 and TM-30** standards with calculated Life Time: **L70 at 102,000 Hours**

Can be used for State of California **Title 24** high efficacy LED compliance under **JA8**, reference

ENERGY STAR® certified

UI Listed for Damp location

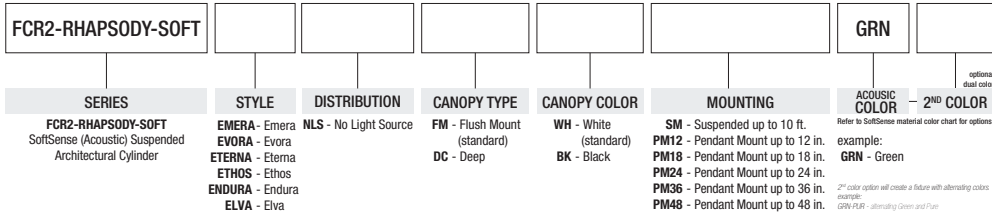
LUMEN DETAILS

Based on 3000K, 90+ CRI. Actual wattage may vary +/- 5%

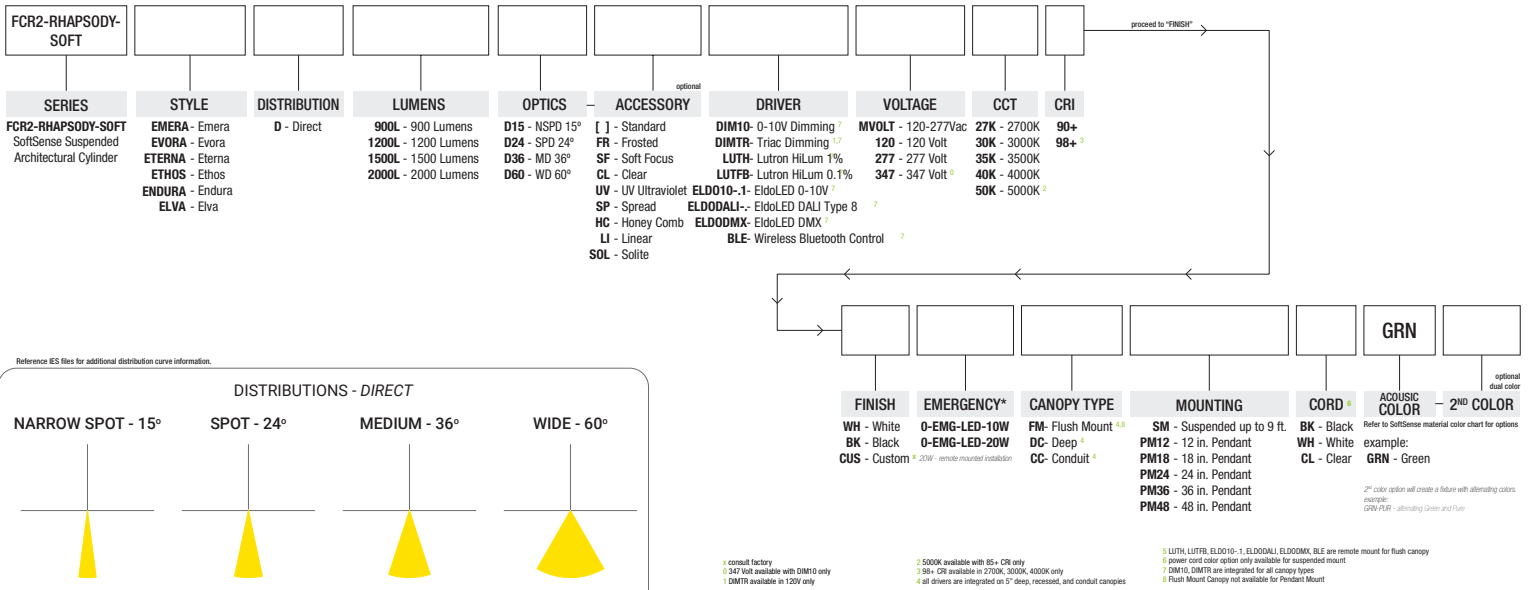
DIRECT

NOMINAL LUMENS	DELIVERED LUMENS	WATTS
2000*	2350	27
1500	1510	17
1200	1405	13
900	980	11

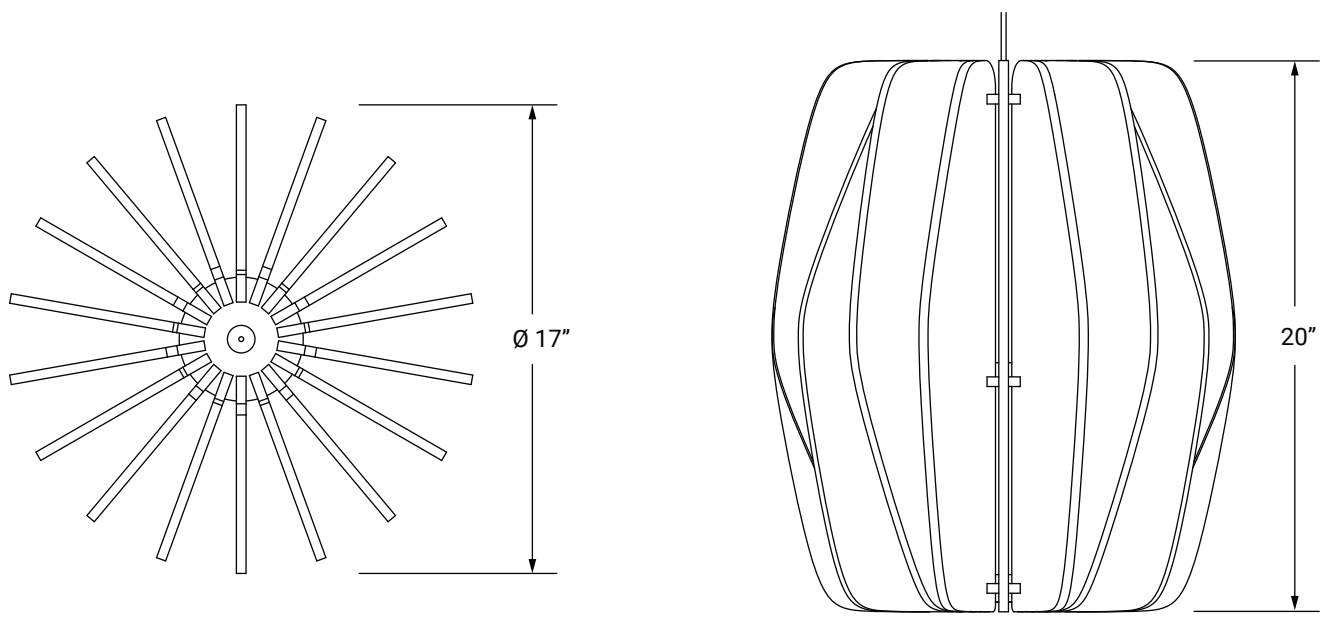
Example: **FCR2-RHAPSODY-SOFT-EMERA-NLS-FM-BK-SM**



Example: **FCR2-RHAPSODY-SOFT-EMERA-D-900L-D24-DIM10-MVOLT-30K-90-BK-FM-SM-BK-GRN**

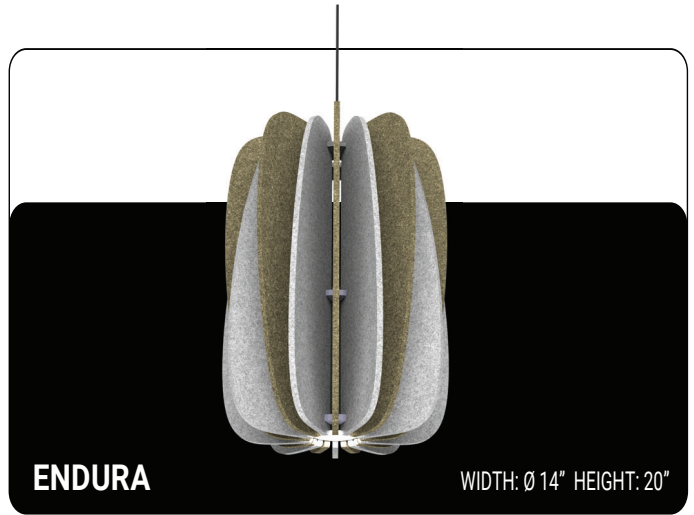
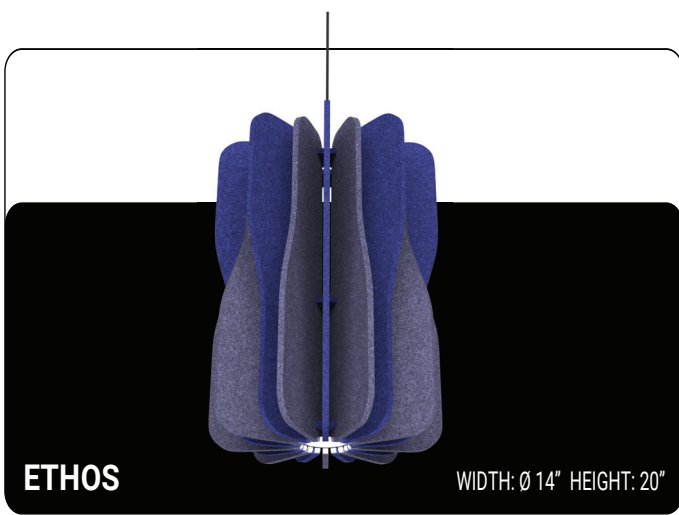
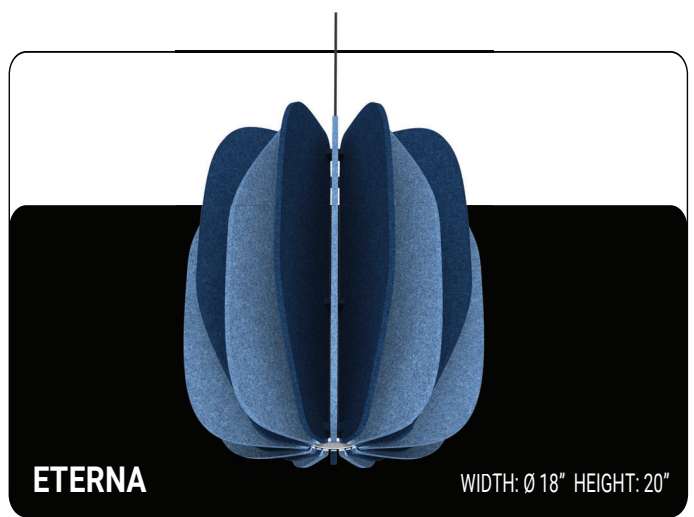
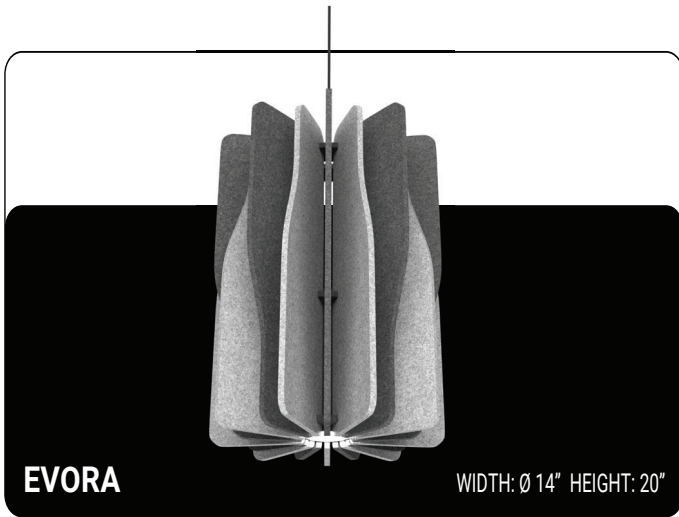
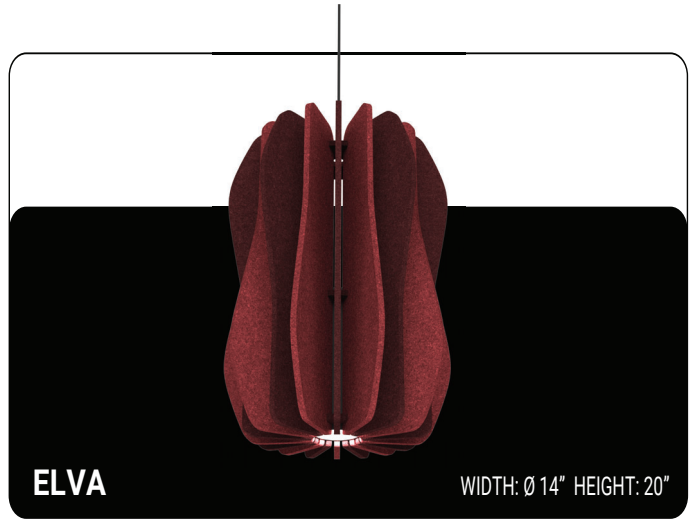
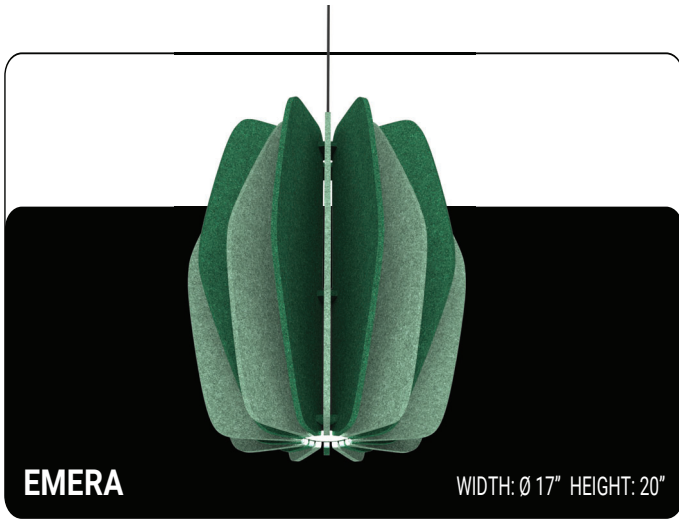


DIMENSIONS

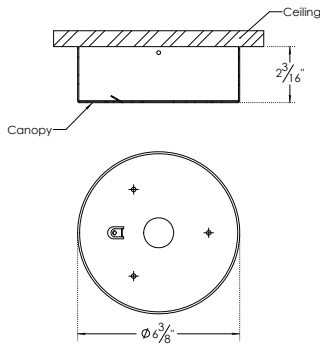


EMERA

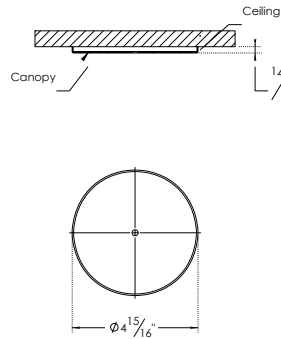
OTHER STYLES



CANOPY TYPES & DIMENSIONS



DEEP CANOPY (DC)
Integrated Driver Option



FLUSH MOUNT (FM)
Remote Mounted Driver Option

CORD COLORS



Black



White



Clear / Silver

STANDARD COLORS

Panel Thickness: 9 mm / 0.35" (+/- 0.25 mm)

All panels ASTM E84-16 Fire Rated

PURE PUR	NIGHT NIT	STONE STN	SAPPHIRE SAP	BONE BNE	SAGE SGE	PEACH PCH	EGGPLANT EGP
GRAY NOISE NSE	MIDNIGHT MDN	GREIGE GRG	NAVY NVY	SAND SND	PISTACHIO PST	ORANGE ORA	AMETHYST AME
PEBBLE PEB	EVERGREEN EVG	FOG FOG	SEAWEED SWD	DUST DST	MATCHA MCH	BRASS BRS	PLUM PLU
GRAVEL GRV	MOSS MOS	WARM GRAY WGR	BAY BAY	LATTE LTE	OLIVE OLV	BRONZE BRZ	CABBAGE CBG
SHADOW SHD	COFFEE CFE	HIPPO HIP	SEA SEA	CLAY CLA	GREEN GRN	RUST RST	PINK PNK
ASPHALT ASP	WINE WIN	PERIWINKLE PRW	DARK TEAL DTL	KELP KLP	SUNSHINE SUN	PECAN PEC	PASSION PAS
ABYSS ABS	SKY BLUE SBL			CROCODILE CRC		FIG FIG	

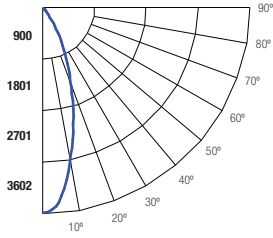
*quick ship available for any color depending on order quantity. Please consult factory.
*all colors are ASTM E84-16 fire rated

FCR2-RHAPSODY-SOFT-EMERA-D-1200L-DIM10-MVOLT-SPD-40K-90

INPUT WATTS: **12.9001** LUMENS: **1427** CRI: **90** EFFICACY: **111** CCT: **4000K**

TEST NO.: **EL03232337**

SPACING CRITERIA: **0.60**



Zonal Lumens Summary

Zone	Lumens	%Lamp	%Fixt
0-20	859.76	60.20	60.20
0-30	1284.9	90.00	90.00
0-40	1406.29	98.50	98.50
0-60	1423.73	99.70	99.70
0-80	1426.39	99.90	99.90
0-90	1426.52	99.90	99.90

Luminance (Average candela/M²)

Angle in Degrees	Average 0°	Average 45°	Average 90°
45	1612	1698	1860
55	667	850	950
65	346	352	407
75	179	182	218
85	49	59	88

Lumens Per Zone

Zone	Lumens
0-10	297.14
10-20	562.62
20-30	425.14
30-40	121.38
40-50	12.37
50-60	5.08
60-70	1.95
70-80	0.71
80-90	0.13

Candela Tabulation

0	
0	3543.81
5	3043.87
15	1695.46
25	727.91
35	107.17
45	13.32
55	4.47
65	1.71
75	0.54
85	0.05
90	0.02

Coefficients of Utilization - Zonal Cavity Method

Effective Floor Cavity Reflectance 0.20

RC RW	80%				70%				50%			30%			10%			0%
	70%	50%	30%	10%	70%	50%	30%	10%	50%	30%	10%	50%	30%	10%	50%	30%	10%	0%
0	119	119	119	119	116	116	116	116	111	111	111	106	106	106	102	102	102	100
1	114	112	110	108	112	110	108	106	106	104	103	102	101	100	99	98	97	95
2	110	106	102	99	108	104	101	98	101	98	96	98	96	94	95	94	92	91
3	106	100	96	93	104	99	95	92	96	93	91	94	91	89	92	90	88	86
4	101	95	91	87	100	94	90	87	92	88	86	90	87	85	88	86	84	82
5	98	91	86	82	96	90	85	82	88	84	81	87	83	81	85	82	80	79
6	94	87	82	78	93	86	81	78	84	80	77	83	80	77	82	79	76	75
7	90	83	78	74	89	82	77	74	81	77	74	80	76	73	79	76	73	72
8	87	79	74	71	86	79	74	71	78	74	71	77	73	70	76	73	70	69
9	84	76	71	68	83	76	71	68	75	71	68	74	70	67	73	70	67	66
10	81	73	68	65	80	73	68	65	72	68	65	71	67	65	71	67	65	63

RC - Ceiling Cavity Reflectance RW - Wall Reflectance

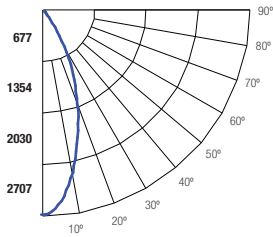
FCR2-RHAPSODY-SOFT-EMERA-D-1200L-DIM10-MVOLT-MD-40K-90

INPUT WATTS: **12.9065** LUMENS: **1308** CRI: **90** EFFICACY: **101** CCT: **4000K**

TEST NO.: **EL03232337**

SPACING CRITERIA: **0.70**

Candle Power Distribution (Candela)



Zonal Lumens Summary

Zone	Lumens	%Lamp	%Fixt
0-20	722.32	55.20	55.20
0-30	1153.81	88.20	88.20
0-40	1283.01	98.10	98.10
0-60	1303.56	99.70	99.70
0-80	1306.53	99.90	99.90
0-90	1306.67	99.90	99.90

Luminance (Average candela/M²)

Angle in Degrees	Average 0°	Average 45°	Average 90°
45	1825	1979	2269
55	734	983	1162
65	377	391	464
75	195	198	248
85	49	59	98

Lumens Per Zone

Zone	Lumens
0-10	231.00
10-20	491.33
20-30	431.49
30-40	129.19
40-50	14.58
50-60	5.98
60-70	2.18
70-80	0.79
80-90	0.14

Candela Tabulation

0	
0	2663.10
5	2395.84
15	1554.70
25	776.01
35	99.18
45	15.08
55	4.92
65	1.86
75	0.59
85	0.05
90	0.02

Coefficients of Utilization - Zonal Cavity Method

Effective Floor Cavity Reflectance 0.20

RC RW	80%				70%				50%			30%			10%			0%
	70%	50%	30%	10%	70%	50%	30%	10%	50%	30%	10%	50%	30%	10%	50%	30%	10%	0%
0	119	119	119	119	116	116	116	116	111	111	111	106	106	106	102	102	102	100
1	114	112	110	108	112	110	108	106	106	104	103	102	101	100	98	97	95	95
2	110	105	102	99	107	104	100	98	100	98	96	97	95	94	95	93	92	90
3	105	99	95	92	103	98	94	91	96	92	90	93	90	88	91	89	87	85
4	101	94	89	86	99	93	89	85	91	87	84	89	86	83	87	85	82	81
5	97	89	84	81	95	89	84	80	87	83	80	85	82	79	84	81	78	77
6	93	85	80	76	91	84	80	76	83	79	76	82	78	75	80	77	75	73
7	89	81	76	72	88	80	76	72	79	75	72	78	74	71	77	74	71	70
8	86	77	72	69	84	77	72	69	76	71	68	75	71	68	74	70	68	67
9	82	74	69	66	81	74	69	65	73	68	65	72	68	65	71	67	65	64
10	79	71	66	63	78	71	66	63	70	65	62	69	65	62	68	65	62	61

RC - Ceiling Cavity Reflectance RW - Wall Reflectance

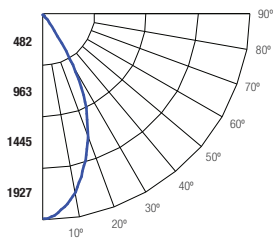
FCR2-RHAPSODY-SOFT-EMERA-D-1200L-DIM10-MVOLT-WD-40K-90

INPUT WATTS: **12.9002** LUMENS: **1202** CRI: **90** EFFICACY: **93** CCT: **4000K**

TEST NO.: **EL03232337**

SPACING CRITERIA: **0.78**

Candle Power Distribution (Candela)



Zonal Lumens Summary

Zone	Lumens	%Lamp	%Fixt
0-20	571.20	47.50	47.50
0-30	989.96	82.40	82.40
0-40	1166.45	97.10	97.10
0-60	1197.03	99.60	99.60
0-80	1200.29	99.90	99.90
0-90	1200.43	99.90	99.90

Luminance (Average candela/M²)

Angle in Degrees	Average 0°	Average 45°	Average 90°
45	2296	2067	2163
55	1085	843	930
65	510	429	409
75	261	218	205
85	59	49	59

Lumens Per Zone

Zone	Lumens
0-10	169.34
10-20	401.85
20-30	418.76
30-40	176.49
40-50	23.66
50-60	6.93
60-70	2.41
70-80	0.85
80-90	0.14

Candela Tabulation

0	
0	1894.73
5	1754.93
15	1312.09
25	766.06
35	116.92
45	18.97
55	7.27
65	2.52
75	0.79
85	0.06
90	0.02

Coefficients of Utilization - Zonal Cavity Method

Effective Floor Cavity Reflectance 0.20

RC RW	80%				70%				50%			30%			10%			0%
	70%	50%	30%	10%	70%	50%	30%	10%	50%	30%	10%	50%	30%	10%	50%	30%	10%	0%
0	119	119	119	119	116	116	116	116	111	111	111	106	106	106	102	102	102	100
1	114	111	109	107	112	109	107	105	105	104	102	101	100	99	98	97	96	94
2	109	104	101	98	107	103	99	96	100	97	94	97	94	92	94	92	90	89
3	104	98	94	90	102	97	93	89	94	91	88	92	89	86	90	87	85	84
4	99	92	87	84	98	91	87	83	89	85	82	87	84	81	85	83	80	79
5	95	87	82	78	93	86	81	78	85	80	77	83	79	76	82	78	76	74
6	91	83	77	73	89	82	77	73	80	76	73	79	75	72	78	74	72	70
7	87	78	73	69	86	78	73	69	76	72	68	75	71	68	74	71	68	66
8	83	74	69	65	82	74	69	65	73	68	65	72	68	64	71	67	64	63
9	80	71	65	62	79	70	65	62	69	65	61	69	64	61	68	64	61	60
10	76	67	62	59	75	67	62	58	66	62	58	65	61	58	65	61	58	57

RC - Ceiling Cavity Reflectance RW - Wall Reflectance