



LUMENS	900, 1200, 1500, 2000*	EMERGENCY <small>(REMOTE ONLY)</small>	10W - Up to 1000L Output (Bodine BSL310) 20W - Up to 2000L Output (Bodine BSL20)
CCT	2700K, 3000K, 3500K, 4000K, 50000K, Dims to Warm	MOUNTING	Suspended, Pendant
CRI	90+ Standard, 98+ Optional	FIXTURE FINISH	WH (White), BK (Black), BZ (Bronze), SI (Silver)
COLOR QUALITY	2 Step MacAdam Ellipse	MATERIAL COLORS	Refer to SoftSense Material Color Chart (p4)
DISTRIBUTIONS	NSPD (15°), SPD (24°), MD (36°), WD (60°)	LIFETIME	L70 at 102,000 Hours
DIMMING / DRIVERS	DIM10, DIMTR LUTH, LUTFB, ELD010-1, ELDODALI-1, ELDODMX, DIMTR, BLE	PHOTOMETRIC TESTS	In accordance w/ IES LM79-08 and LM80, TM-30, TM-21

"Rhapsody" family consists of acoustic pendant or suspended fixtures. The luminaire inside this is our highly sustainable and ultra-efficient architectural FCR2-LED cylinder. With its seamless, glare-free glow, it transforms open spaces into harmonious sanctuaries, embraced by sound-absorbing materials.

Take your pick from our wide range of shapes that mesh perfectly with your space's vibe. We've also got them in loads of colors, so you can really jazz things up.



CONSTRUCTION

The cylinder body comes standard with a post-painted matte white finish and die-cast construction for maximum heat dissipation and rust protection.

THERMAL MANAGEMENT SYSTEM

This luminaire is engineered for an extremely long life with a unique thermal management system that involves the heat sink being attached inside of the extruded aluminum housing. The LED light engine is then attached to the extrusion heat sink and is easily replaceable and upgradeable.

SUPPORT CABLE / FEED

Standard 5-inch shallow ceiling mount canopy provided for direct installation with a 3-1/4" to 4" octagonal and square junction box. Suspended mount option is supplied with a 9 ft. field adjustable aircraft cable and power cord. Please consult factory for custom mounting and stem options.

ACOUSTIC MATERIAL - 9mm / 0.35" Thickness

Our panels come in 4' x 8' and are made from 100% polyethylene terephthalate (PET), with 50% post-consumer recycled material. PET is a moisture resistant green product with no added chemicals, binders, adhesives or dyes.

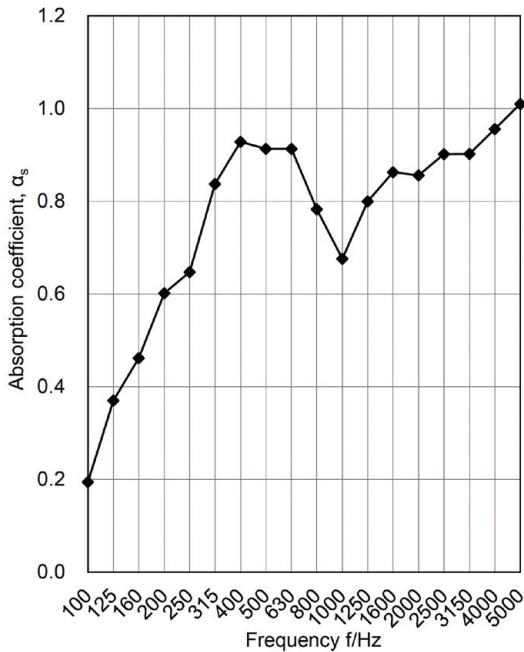
ACOUSTIC PANEL PERFORMANCE - 4' x 8' Panels

Acoustic performance of specific fixture / product will greatly vary based on mounting, installation, and configuration in a space.

Noise Reduction Coefficient (NRC) - 0.75

Weighted Sound Absorption Coefficient - $a_w = 0.85$

NRC is a widely used standard to test sound absorption for 2-dimensional objects. It is the average absorption coefficient obtained from four key 1/3 octave frequencies: 250, 500, 1000, 2000 Hz.



LED DYNAMIC PLATFORM OPTIONS

Tunable White with Smart White Technology utilizing the Lumenetix Platform allows you to color tune the luminaire via various controls. Create the perfect environment for the desired use of the space, while maintaining a CRI of 90+ across the tunable range of 8000 to 1650K.

Dims to Warm with Smart Dimming Technology. At 100% full brightness the luminaire is at 3500K. When dimmed to 1%, the light transitions to 1800K, creating a warm ambiance within the space.

RGB + White with Smart Hue Technology provides full color mixing of RGB and white colors. Utilizing the Lumenetix Platform allows you to choose from unlimited RGB color options, via various controls. Ideal for Circadian Rhythm applications or to create the perfect human centric environment.

DIMMING & DRIVER INFORMATION

DIM10 - Flicker Free 1% Dimming Standard (DIM10) 0-10V dimming on either MVOLT, 120V, 277V, or 347V

DIMTR - Triac & Electronic low voltage dimming. Available in 120V and up to 3000 Lumens only

LUTH - Lutron LDE1 Hi-Lume Eco System. 1% dimming with Soft in Fade to Black dimming technology.

LUTFB - Lutron PEQ0 Hi-Lume Premier Eco System. 0.1% dimming with Soft in Fade to Black dimming technology. Available on all luminaires up to 20 W.

ELDODMX - EldoLED PowerDrive dimming down to 0.1%. Please see EldoLED website for wiring diagrams and a list of compatible DMX and DALI control systems.

ELDO10.1 - EldoLED SoloDrive 0-10V. Dimming down to 0.1%

DALI - DALI DT6, DT8 dimming down to 1%

BLE - Luminaires may be controlled, grouped, scheduled, or placed in scenes and/or zones via Cassambi Bluetooth 4.0 App.

EMERGENCY OPTIONS / CONTROLS

Remote test switch included. External battery operates LED load (EMG-STD-LED-10W) of up to 1000L and EMG-LED-20W up to 2000L.

OPERATING TEMPERATURE

Luminaire must be installed and operated in damp or dry locations where the ambient temperature ranges from -4°F to 104°F (-20°C to 40°C)

MAINTENANCE / CARE

Acoustic material can be cleaned w/ a clean, soft, lint-free cloth or a vacuum.

WARRANTY

Five-year warranty for parts and components. (Labor not included.)

LISTINGS

c-UL-us - Listed for Feed Through Wiring.

EMI/RFI emissions per **FCC 47CFR Part 18 Class B**

RoHS compliant

Photometric testing completed in accordance with **IES LM-79 and TM-30** standards with calculated Life Time: **L70 at 102,000 Hours**

Can be used for State of California **Title 24** high efficacy LED compliance under **JA8**, reference

ENERGY STAR® certified

UI Listed for Damp location

LUMEN DETAILS

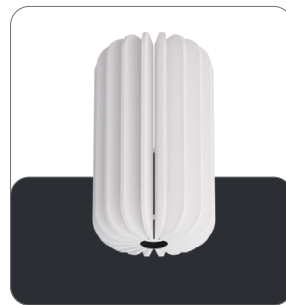
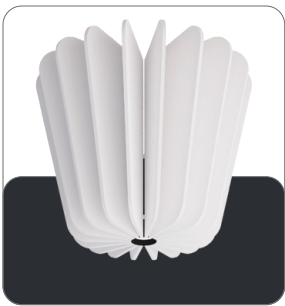
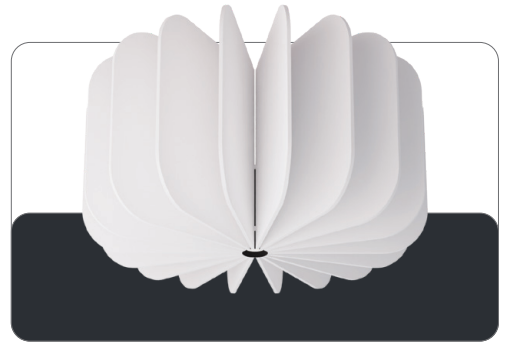
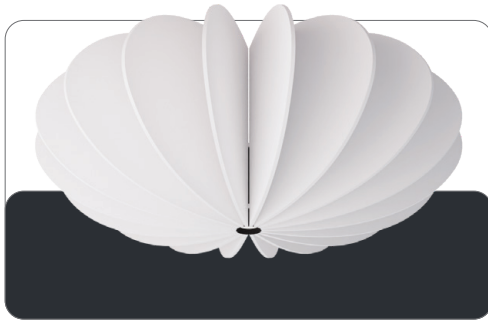
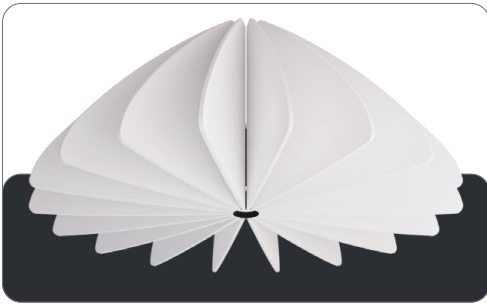
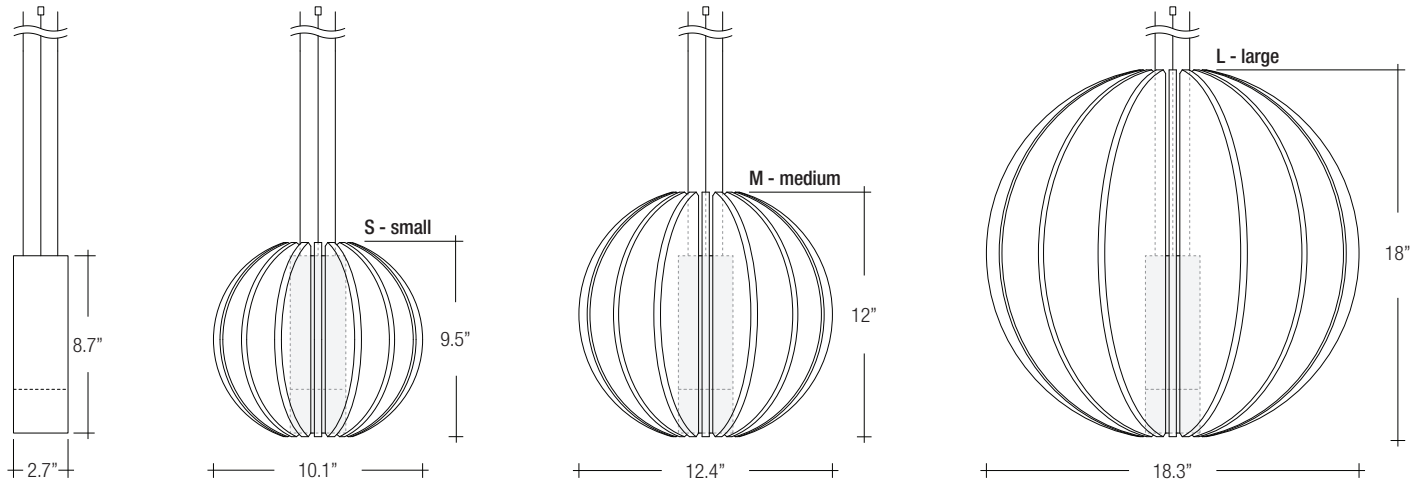
Based on 3000K, 90+ CRI. Actual wattage may vary +/- 5%

INDIRECT		
NOMINAL LUMENS	DELIVERED LUMENS	WATTS
1500	1758	18
1200	1405	13
900	1039	10

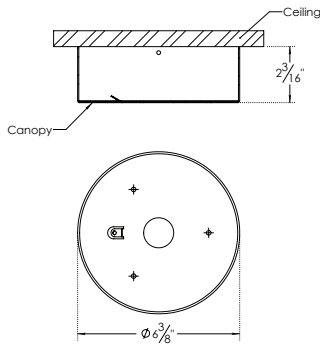
DIRECT		
NOMINAL LUMENS	DELIVERED LUMENS	WATTS
2000*	2350	27
1500	1510	17
1200	1405	13
900	980	11

* 2000 Lumen option available in Direct Only

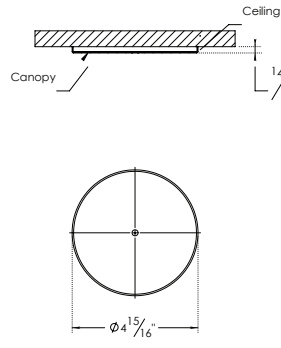
DIMENSIONS



CANOPY TYPES & DIMENSIONS



DEEP CANOPY (DC)
Integrated Driver Option



FLUSH MOUNT (FM)
Remote Mounted Driver Option

CORD COLORS



Black



White



Clear / Silver

Declare.
Label Pending

SOFTSENSE MATERIAL COLOR CHART

Panel Thickness: 9 mm / 0.35" (+/- 0.5 mm)

ASTM E84-16 Fire Rated*



*quick ship available for any color depending on order quantity. Please consult factory.
*all colors are ASTM E84-16 fire rated, select colors are available as Class A