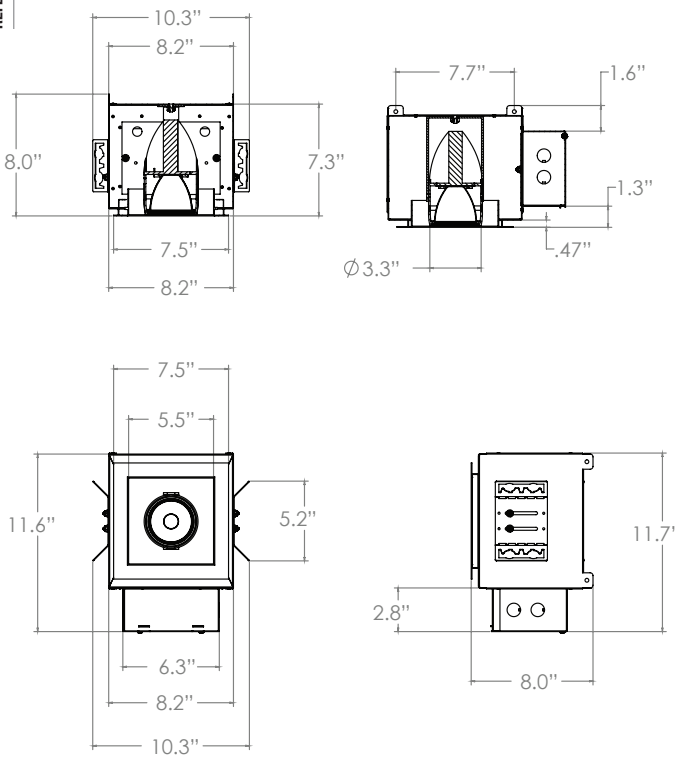


REFLECTOR/ FLANGED COLORS



NOMINAL LUMENS	LEDENGINE
1500	-
1200	-
1100	15W

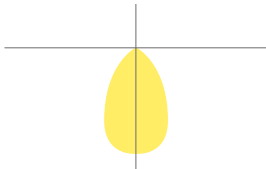
Based on 4000K, 90+ CRI. Actual wattage may vary +/- 5%

FEATURES

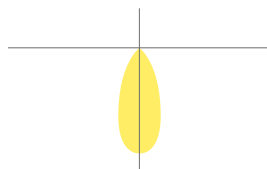
A recessed multiple combo light with unlimited features, available in 1, 2, 3 or 4 heads, with precise, glare-free illumination. Each individual luminaire has full aiming adjustability, allowing for 365-degree rotation and a 60-degree pivot that locks into place at any desired position. Each luminaire can be specifically designed to fit the appropriate application; combining different optics, lumen packages, technologies, or color temperatures in a single housing. With an array of color temperatures, it can accentuate the full spectrum of cool to warm tones, and is the ideal solution for retail merchandising, hospitality, supermarkets, commercial, or high-end residential.

LUMENS PER HEAD	LED Engin Platform: 1100
RGBW PLATFORMS	LED Engin: RGBW-LENGN-65K-18K (RGB + 65K to 18K)
CRI	90+ Standard
COLOR QUALITY	2 Step MacAdam Ellipses
DISTRIBUTION	SP (Spot), NFL (Narrow Flood), FL (Flood)
TRIM OPTIONS	1,2,3,4 Trim, Trimless
REFLECTOR COLORS	BK(Black), WH(White)
FLANGE COLORS	BK(Black), WH(White), Custom RAL Colors.
DIMMING	DMX512, DMX-RDM
EMERGENCY	ELI-S-20, PELI-S-100, PELI-S-250, PELI-S-400
LIFETIME	102,000 Hours
PHOTOMETRIC TESTS	In Accordance with IES LM79-08, LM80 and TM-30, TM-21

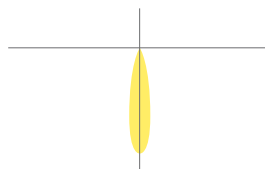
FL: FLOOD
Candlepower Distribution Curve



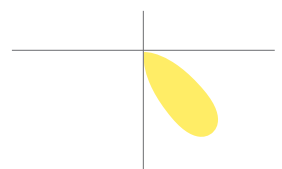
NFL: NARROW FLOOD
Candlepower Distribution Curve



SP: SPOT
Candlepower Distribution Curve



WALL WASH
Candlepower Distribution Curve





OPTICS AND REFLECTOR

A multi-segmented reflector allows for precise beam control, and offers field changeable optics in Narrow Spot, Narrow Flood, and Flood, with a variety of lumen options. With exceptional flexibility and controlled optics, each luminaire head can be positioned as a source for task, accent, or general illumination. Merchandising is consistently being rearranged, and the multiple combo is the perfect source for highlighting up to 4 different displays with a single housing. Trim options include trim or trimless, with black or white interior finish.

AIMING

The proprietary hot aiming system allows each individual head to be rotated 365 degrees horizontally and 45 degrees vertically, which can be locked into position without the use of tools.

HOUSING

Thermally protected for new construction, non-insulated ceilings or where insulation can be kept 3" from housing, with the ability to vertically adjust to accommodate various ceiling heights. It is fabricated from 18-gauge steel and post-painted, and each luminaire head is fabricated of die-cast aluminum to dissipate heat.

TRIM OPTION

Post-painted powder coated Die-Cast trim ring available in white and custom RAL colors. (Please consult factory for custom paint color options). Trim attaches to the housing with piano springs for snug fit and zero light leakage

TRIMLESS OPTION

Die-Cast perforated mesh cover intended for installation in drywall or plaster ceilings. Mudding may be applied right up to the edge of the luminaire opening to provide a seamless appearance. Trimless accessory is secured to the housing to prevent fractures in the ceiling and/or drywall during and after installation.

MOUNTING FRAME & BRACKET

Pre-installed butterfly brackets can be adjusted vertically with C-Channel mounting bars, allowing housing to be positioned and locked at any point within a 24" joist span. Bar hangers can fit onto a T-Bar spline with additional slots and holes for special mounting methods.

THERMAL MANAGEMENT SYSTEM

Passive cooling Die-cast Aluminum Heat Sink, LED light engine and driver are replaceable, upgradeable, and can be accessed from below the ceiling. The consistency in the quality of light is delivered with precision performance by the use of a unique locking mechanism that aligns the reflector with the light engine.

DRIVER ELECTRICAL INFORMATION

The LED driver is rated for 50 to 60Hz at 120V/277V input, produces less than 20%THD, and has a power factor between 90% and 100%, and is thermally protected for additional safety. Junction box and Driver can be accessed from below the ceiling and above the ceiling. Junction Box is Listed for through branch circuit wiring.

DIMMING & DRIVER INFORMATION

Control via, DMX512-RDM.

LED Engin RGB+W platform produces a full spectrum of brilliant colors with tuning range of 6500K to 1800K (RGBW-LENGN-65K-18K). Control via ELITE-CONNECT DMX WALL CONTROLLER (SR-2812) IP, DMX512, DMX-RDM

WARRANTY

Five-year carefree warranty for parts and components. (Labor not included.)

LED DYNAMIC PLATFORM OPTIONS



RGB + White technology has a white color tuning range from 8000K to 1650K. RGB color range derived from the primary colors red, green and blue is used to create infinite color options in the RGB palette, adding colors together in varying amounts to create new ones. RGB Tunable White technology enables users to adjust the color temperature, adding gradients of saturated colors. No longer restricted to white light LEDs, lighting designers and architects can manipulate a space with desired hues and shades, altering the color temperature of the room, creating the perfect environment. The use of RGB Tunable White technology in healthcare and assisted living stimulates circadian rhythm, accelerating the healing process.

LISTINGS

c-UL-us - Listed for Feed Through Wiring.

EXAMPLE: FC1-LED-RGBW-LENGN-65K-18K-1100L-ELDODMX.1-120-FL-90-F-WH-BK

SERIES	LUMEN	DIMMING	VOLTAGE	OPTICS	CRI	TRIM OPTION	TRIM COLOR	INTERIOR COLOR	ACCESSORIES
LEDENGINE <input type="checkbox"/> FC1-LED-RGBW-LENGN-65K-18K	<input type="checkbox"/> 1100L	<input type="checkbox"/> ELDODMX.1	<input type="checkbox"/> 120 <input type="checkbox"/> 277	<input type="checkbox"/> SP- Spot-15° <input type="checkbox"/> NFL- Narrow Flood-24°-25° <input type="checkbox"/> FL- Flood-36°-38°	<input type="checkbox"/> 90+	<input type="checkbox"/> F (Flanged) <input type="checkbox"/> TL (Trimless)	<input type="checkbox"/> WH (White) <input type="checkbox"/> BK (Black)	<input type="checkbox"/> WH (White) <input type="checkbox"/> BK (Black)	<input type="checkbox"/> BP31- 24" C-channel bar hangers