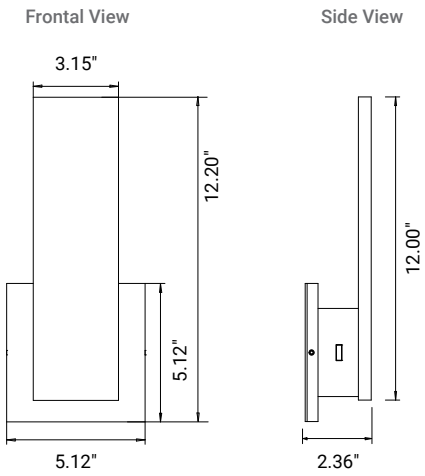




EASY 5 COLOR
SELECTOR
2700K • 3000K • 3500K • 4000K • 5000K

Dimensions



NOMINAL LUMENS	DELIVERED LUMENS	WATTAGE
1000L	1038L	14W

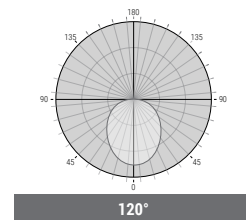
Based on 4000K, 90+ CRI. Actual wattage may vary +/-5%

FEATURES

The EWSE Series embodies minimalist sophistication with a quietly bold presence. Crafted from extruded aluminum, each sconce in the series reflects a reductive, architectural form that speaks to purity and restraint—offering low-glare illumination that integrates into contemporary environments with clarity and purpose. Ideal for both residential and commercial applications, these wall-mounted luminaires elevate indirect lighting schemes while functioning as refined architectural accents—perfect for highlighting feature walls or introducing a quiet visual rhythm to the built environment.

Each model features a matching square aluminum backplate with no visible fasteners, preserving the clean geometry of the design. Available in multiple powder coat finishes, the EWSE Series delivers uniform, high-quality LED illumination with dimming capability for tailored ambiance. A sculptural lighting solution, the series sets a new standard for refined, architectural-grade wall sconces.

LUMENS	1000L
CCT	27K/30K/35K/40K/50K
CRI	90+
COLOR QUALITY	3-Step MacAdam Ellipse
MOUNTING	Wall Mount
VOLTAGE	120VAC
DIMMING	Triac Dimming at 120V
RATING	IP65
BEAM ANGLE	120°
FINISH	BZ (Bronze), BK (Black), WH (White), SI (Silver)
OPERATING TEMP	-40°C (-40°F) to 50°C (122°F)
LIFETIME	L70 AT 50,000 Hours



OPTICS

Features a glass lens diffuser for uniform light diffusion and glare control. Powered by ultra efficient LEDs for extended lifetime and optimal performance.

Luminaire available in 1000L with five selectable color temperatures of 2700K/3000K/3500K/4000K/5000K enable different warm to cool moods and atmospheres.

CCT factory set to 50K.

CONSTRUCTION

Features a durable aluminum housing for lightweight handling during installation and optimal thermal conduction.

Fully enclosed and gasketed construction provides IP65-rated protection against water and dust.

Available in white, bronze, black, and silver finishes.

MOUNTING

Wall Mount

Designed specifically for direct wall-mounting applications. Ideal for building facades, entryways, doorways, walkways, pathways, patios, porches, garage exteriors, perimeter walls, outdoor stairwells, commercial storefronts, and hospitality exteriors (hotels, restaurants), as well as parking structure walls.

DIMMING & DRIVER INFORMATION

DIMTR - TRIAC. Available in 120V.

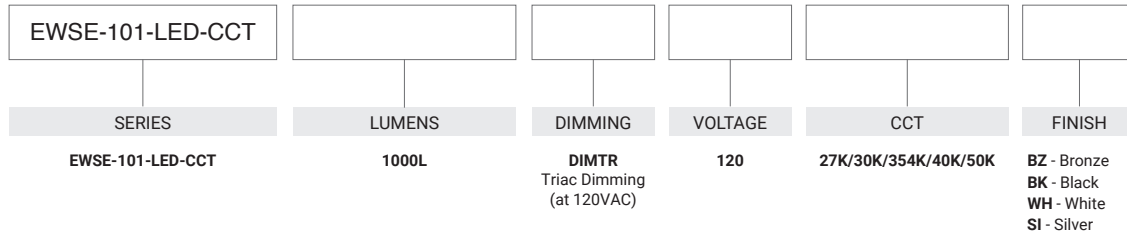
WARRANTY

5-year warranty for parts and components (labor not included).

LISTINGS

ETL listed.
IP65 rated.
Wet Location certified.
ADA compliant.

Example: **EWSE-101-LED-CCT-1000L-DIMTR-120-2700K/3000K/3500K/4000K/5000K-BK**



EWSE-101-LED-CCT-1000L-DIMTR-120-2700K/3000K/3500K/4000K/5000K-BK

TEST NO.: **EL07112523**

INPUT WATTS: **14.1**

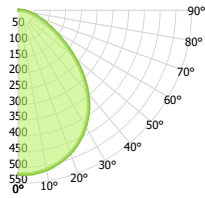
LUMENS: **1038**

EFFICACY: **74**

BEAM ANGLE: **86**

SPACING CRITERIA: **1.21**

CANDELA DISTRIBUTION



CANDELA TABLE

	0°	90°
0°	520	520
10°	513	506
20°	482	469
30°	426	402
40°	341	298
50°	231	182
60°	131	102
70°	69	55
80°	30	23
90°	1	1

LUMINANCE (cd/sq.m)

	0.00°	90.00°
0.00°	0	0
10°	45.00°	0
20°	55.00°	0
30°	65.00°	0
40°	75.00°	0
50°	85.00°	0
60°		
70°		
80°		
90°		

LUMENS PER ZONE

ZONE	LUMENS
0° - 10°	49
10° - 20°	136
20° - 30°	198
30° - 40°	218
40° - 50°	187
50° - 60°	124
60° - 70°	73
70° - 80°	39
80° - 90°	14

ZONAL LUMEN SUMMARY

ZONE	UMENS	% LUMINAIRE
0° - 20°	185	18%
0° - 30°	383	37%
0° - 40°	601	58%
0° - 60°	912	88%
0° - 80°	1024	99%
0° - 90°	1038	100%

CONE OF LIGHT

MOUNTING HEIGHT	FC AT BEAM CENTER	BEAM DIA. 0° -180°	BEAM DIA. 90° -270°
6.0 ft	14.4 fc	11.3 ft	11.7 ft
8.0 ft	8.1 fc	15.1 ft	15.5 ft
10.0 ft	5.2 fc	18.9 ft	19.4 ft
12.0 ft	3.6 fc	22.7 ft	23.3 ft
14.0 ft	2.7 fc	26.4 ft	27.2 ft
16.0 ft	2.0 fc	30.2 ft	31.1 ft
18.0 ft	1.6 fc	34.0 ft	35.0 ft
20.0 ft	1.3 fc	37.8 ft	38.9 ft

INDOOR COEFFICIENTS OF UTILIZATION

pf	20%																0%				
	80%				70%				50%				30%					10%			
pc	70%	50%	30%	10%	70%	50%	30%	10%	50%	30%	10%	50%	30%	10%	50%	30%	10%	50%	30%	10%	0%
0	119	119	119	119	116	116	116	116	111	111	111	106	106	106	102	102	102	100	100	100	0%
1	110	106	103	99	108	104	101	98	100	97	95	96	94	92	92	91	89	87	87	87	0%
2	102	95	89	84	99	93	87	83	89	85	81	86	82	79	83	80	77	75	75	75	0%
3	94	85	77	72	92	83	76	71	80	75	70	78	73	69	75	71	68	66	66	66	0%
4	87	76	68	62	85	75	68	62	73	66	61	70	65	60	68	63	60	58	58	58	0%
5	81	69	61	55	79	68	60	55	66	59	54	64	58	54	62	57	53	51	51	51	0%
6	75	63	55	49	73	62	54	49	60	53	48	59	52	48	57	52	47	46	46	46	0%
7	70	57	49	44	68	57	49	44	55	48	43	54	48	43	53	47	43	41	41	41	0%
8	65	53	45	40	64	52	45	39	51	44	39	50	44	39	49	43	39	37	37	37	0%
9	61	49	41	36	60	48	41	36	47	40	36	46	40	36	45	40	35	34	34	34	0%
10	58	45	38	33	56	45	38	33	44	37	33	43	37	33	42	37	32	31	31	31	0%