

# EM-396

Small Aperture Square LED Gimbal  
Recessed Housing and Trim

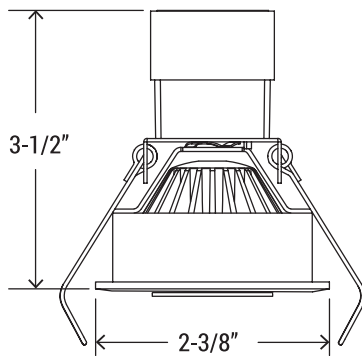
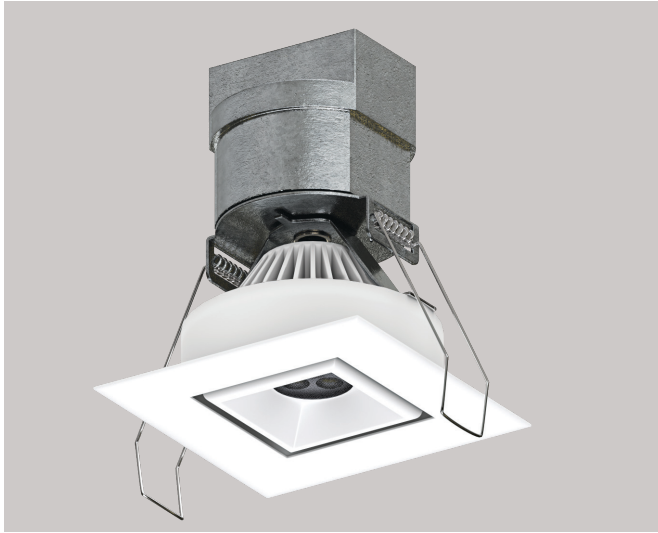
5 Watts / 300 Lumens

Catalog Number:

Project Name:

Note:

Type:



## DESCRIPTION:

The sleek design of the square recessed Mini-LED gimbal is the ideal solution for both commercial and residential applications with minimal ceiling depth, including cabinets, niches, bookshelves, and display cases. The unique gimbal design delivers a precise, aimable accent lighting source up to 35° off vertical, with a 360° rotation.

## FEATURES:

- High quality illumination with up to 96 CRI and 98 R9 values
- Designed to replace 20W halogen lamp while consumes 5W
- Available in 3000K and 4000K
- IC rated for insulated and non-insulated applications
- Providing 50,000 hours of life, with 70% lumen maintenance
- 5-year limited warranty

## TRANSFORMER:

A remote mounted transformer is required, utilizing an electronic or magnetic Class 2 120V to 12V AC:

- LED-HU-ELV-DIMTR-DC-12-25
- LED-HU-ELV-DIMTR-DC-12-50
- LED-HU-ELV-DIMTR-DC-12-60

## SPECIFICATIONS:

|                               |                   |
|-------------------------------|-------------------|
| <b>LUMENS</b>                 | 300 lumens        |
| <b>WATTAGE</b>                | 5W                |
| <b>CCT</b>                    | 30K, 40K          |
| <b>CRI</b>                    | 90                |
| <b>VOLTAGE</b>                | 12V               |
| <b>FINISH</b>                 | White             |
| <b>APPLICABLE ENVIRONMENT</b> | Dry/Damp location |



Ordering Guide > Example: **EM-396-300L-12V-40K-WH**

|   |                   |                |                            |               |
|---|-------------------|----------------|----------------------------|---------------|
| <b>EM-396</b>                                   |                   |                |                            |               |
| <b>SERIES</b>                                   | <b>LUMENS</b>     | <b>VOLTAGE</b> | <b>CCT</b>                 | <b>FINISH</b> |
| EM-396 -<br>Small Aperture Square<br>LED Gimbal | 300L - 300 lumens | 12V - 12V      | 30K - 3000K<br>40K - 4000K | WH - White    |

# EM-396

Small Aperture Square LED Gimbal  
Recessed Housing and Trim

## PHOTOMETRY DATA

Catalog Number:

Project Name:

Note:

Type:

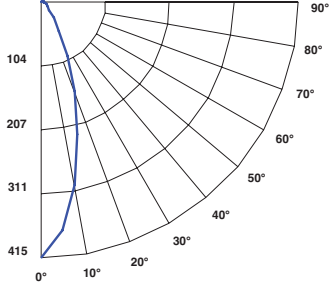
### EM-396-300L-30K-90

WATTAGE: **4W**

LUMENS: **216**

TOTAL LUMINAIRE EFFICACY: **53**

Candle Power Distribution (Candelas)



| Spacing Criteria |        |
|------------------|--------|
| 0-180            | : 0.54 |
| 90-270           | : 0.58 |
| Diagonal         | : 0.64 |

#### Zonal Lumens Summary

| Zone   | Lumens | %Lamp  | %Fixt  |
|--------|--------|--------|--------|
| 0-30°  | 162.05 | 76.20  | 75.20  |
| 0-40°  | 191.49 | 90.00  | 88.80  |
| 0-60°  | 210.58 | 99.00  | 97.70  |
| 0-90°  | 215.57 | 101.30 | 100.00 |
| 0-180° | 215.57 | 101.30 | 100.00 |

#### Luminance Data (cd/sq.m)

| Angle In Degrees | Average 0° | Average 45° | Average 90° |
|------------------|------------|-------------|-------------|
| 45°              | 2897       | 4018        | 6918        |
| 55°              | 1238       | 2318        | 2475        |
| 65°              | 1037       | 1405        | 1820        |
| 75°              | 880        | 1244        | 1337        |
| 85°              | 528        | 1483        | 1684        |

#### Candela Tabulation

|    | 0      | 45     | 90     |
|----|--------|--------|--------|
| 0  | 414.03 | 414.03 | 414.03 |
| 5  | 381.58 | 375.33 | 375.58 |
| 15 | 231.00 | 225.97 | 243.13 |
| 25 | 84.35  | 100.36 | 118.16 |
| 35 | 27.99  | 33.50  | 51.09  |
| 45 | 9.35   | 12.97  | 22.33  |
| 55 | 3.24   | 6.07   | 6.48   |
| 65 | 2.00   | 2.71   | 3.51   |
| 75 | 1.04   | 1.47   | 1.58   |
| 85 | 0.21   | 0.59   | 0.67   |
| 90 | 0.00   | 0.00   | 0.22   |

#### Coefficients of Utilization - Zonal Cavity Method Effective Floor Cavity Reflectance 20% = PF

| RC<br>RW | 80% |     |     |     | 70% |     |     |     | 50% |     |     |     | 30% |     |     |     | 10% |     |     |     | 0%  |     |  |  |
|----------|-----|-----|-----|-----|-----|-----|-----|-----|-----|-----|-----|-----|-----|-----|-----|-----|-----|-----|-----|-----|-----|-----|--|--|
|          | 70% | 50% | 30% | 10% | 70% | 50% | 30% | 10% | 50% | 30% | 10% | 50% | 30% | 10% | 50% | 30% | 10% | 50% | 30% | 10% | 0%  | 0%  |  |  |
| 0        | 121 | 121 | 121 | 121 | 118 | 118 | 118 | 118 | 113 | 113 | 113 | 108 | 108 | 108 | 103 | 103 | 103 | 101 | 101 | 101 | 101 | 101 |  |  |
| 1        | 115 | 112 | 110 | 107 | 113 | 110 | 108 | 106 | 106 | 104 | 102 | 102 | 101 | 99  | 99  | 98  | 97  | 95  | 95  | 95  | 95  | 95  |  |  |
| 2        | 109 | 105 | 101 | 97  | 107 | 103 | 99  | 96  | 100 | 97  | 94  | 97  | 94  | 92  | 94  | 92  | 90  | 88  | 88  | 88  | 88  | 88  |  |  |
| 3        | 104 | 98  | 93  | 89  | 102 | 96  | 92  | 88  | 94  | 90  | 87  | 91  | 88  | 86  | 89  | 86  | 84  | 83  | 83  | 83  | 83  | 83  |  |  |
| 4        | 99  | 92  | 86  | 82  | 98  | 91  | 86  | 82  | 89  | 84  | 81  | 87  | 83  | 80  | 85  | 82  | 79  | 77  | 77  | 77  | 77  | 77  |  |  |
| 5        | 95  | 87  | 81  | 77  | 93  | 86  | 80  | 76  | 84  | 79  | 76  | 82  | 78  | 75  | 81  | 77  | 74  | 73  | 73  | 73  | 73  | 73  |  |  |
| 6        | 90  | 82  | 76  | 72  | 89  | 81  | 76  | 72  | 79  | 75  | 71  | 78  | 74  | 71  | 77  | 73  | 70  | 69  | 69  | 69  | 69  | 69  |  |  |
| 7        | 86  | 77  | 72  | 68  | 85  | 77  | 71  | 67  | 76  | 71  | 67  | 74  | 70  | 67  | 73  | 69  | 66  | 65  | 65  | 65  | 65  | 65  |  |  |
| 8        | 83  | 74  | 68  | 64  | 82  | 73  | 68  | 64  | 72  | 67  | 63  | 71  | 66  | 63  | 70  | 66  | 63  | 62  | 62  | 62  | 62  | 62  |  |  |
| 9        | 79  | 70  | 64  | 61  | 78  | 70  | 64  | 60  | 69  | 64  | 60  | 68  | 63  | 60  | 67  | 63  | 60  | 59  | 59  | 59  | 59  | 59  |  |  |
| 10       | 76  | 67  | 61  | 58  | 75  | 66  | 61  | 58  | 66  | 61  | 57  | 65  | 60  | 57  | 64  | 60  | 57  | 56  | 56  | 56  | 56  | 56  |  |  |

RC - Ceiling Cavity Reflectance

RW - Wall Reflectance