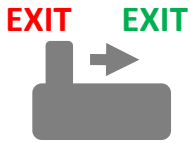


ELX-LED-618-G/R-1-CL-AL

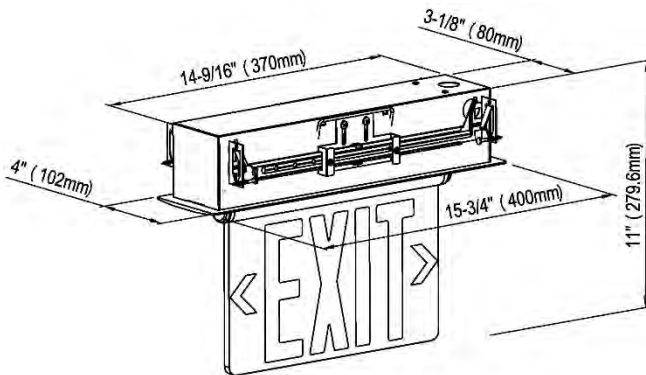
www.luseElite.com

UNIVERSAL LED EDGE-LIT EXIT SIGN

RED - GREEN



Switch from Red to Green
Default factory setting: Red



FEATURES

Designed to be visually appealing, energy-efficient, and easily visible in various lighting conditions. The sleek and thin profile design blends in well with modern architectural aesthetics and minimizes visual impact on the surroundings. The edge-lit technology, combined with the use of high-contrast colors and clear font, ensures that the exit sign is visible from a distance and under various lighting conditions. Field selectable red-to-green switch and vice-versa.

BODY

- Compact and modern design
- Aluminum housing with premium quality acrylic (Single Clear Face Panel)
- Replaceable acrylic panel
- Removable direction indicators
- Easy access front cover for cost effective installation and maintenance
- Single and double face universal design

MOUNTING

- Recessed

ELECTRICAL

- 120/ 277VAC dual voltage
- Test switch and charge indicator

ILLUMINATION

- Field selectable red-to-green switch and vice-versa.
Default factory setting: Red

OPTION

- Manual test function

COMPLIANCE

- UL listed
- Meets all requirements in NFPA 70, NFPA 101 life safety codes
- Complies with CEC Title 20 efficiency regulations
- Suitable for 50°F-104°F ambient temperature
- Suitable for Damp Location



ORDERING CHART

Please reference options below

ELX-LED-618-G/R-

| # of Faces | Background | Housing Color |
|------------------------------------|--------------------------------------|--|
| <input type="checkbox"/> 1 (Face) | <input type="checkbox"/> CL (Clear) | <input type="checkbox"/> AL (Aluminum) |
| <input type="checkbox"/> 2 (Faces) | <input type="checkbox"/> MR (Mirror) | <input type="checkbox"/> WH (White) |
| | <input type="checkbox"/> WH (White) | <input type="checkbox"/> BK (Black) |

SPECIFIED:

ELX-LED-618-G/R-

_____ - _____ - _____
NUMBER OF FACES

BACKGROUND COLOR

HOUSING COLOR