

ELX-645

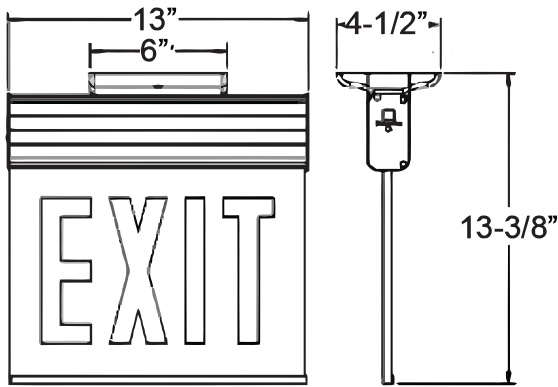
CHICAGO APPROVED EDGELIT ALUMINUM EXIT/STAIR SIGN

Catalog Number:

Project Name:

Note:

Type:



WARRANTY / LISTING

- Five year warranty on all electronics and housing. Battery prorated for five years.
- UL listed for damp locations (0° – 50°C).
- Meets UL924, NFPA101 Life Safety Code, NEC, OSHA, Local and State Codes.
- Meets city of Chicago requirements.
- Certified to CEC under Title 20 Regulations.

MOUNTING

- Die-cast aluminum mounting canopy provided for universal top, end or back mount.

ELECTRICAL

- Dual 120V/277 voltage.
- Charge rate/power "ON" LED indicator light and push to test switch for mandated code compliance testing.
- 4.8V Long-life, maintenance-free, rechargeable NiCd battery (EM models only).
- Internal solid-state transfer switch automatically connects the internal battery to LED board for minimum 120-minute emergency illumination.
- Fully automatic solid-state, two-rate charger initiates battery charging to recharge a discharged battery in 24 hours.

ILLUMINATION

- Ultra-bright, energy efficient, long-lasting white LEDs provide uniform illumination.
- UV stabilized, silk screened acrylic panels provide consistent, uniform illumination.

HOUSING

- Premium-grade, extruded aluminum housing (also available in optional white powder-coated finish).
- Single or double face configurations.

ELX-645-ITEM SELECTOR: (Please check the boxes below for the option desired)

LETTER COLOR	No of FACES	TRIM PLATE	BATTERY	SIGNAGE/Directional Arrows
R - Red on White	1 - Single Face 2 - Double Face	A - Aluminum W - White	(blank) - AC-Only EM - Battery Backup	- NA - Exit No Arrow -S-NA - Stair No Arrow -DA - Exit Double Arrow -S-DA - Stair Double Arrow -RA ¹ - Exit Right Arrow -S-RA ¹ - Stair Right Arrow -LA ¹ - Exit Left Arrow -S-LA - Stair Left Arrow -LARA ² - Exit Left/Right Arrow -S-LARA ² - Stair Left/Right Arrow

¹ Available in single face configuration only. ² Available in double face configuration only.

SPECIFIED:
ELX-645 _____
 LETTER COLOR No of FACES TRIM PLATE BATTERY SIGNAGE/DA

