

ELX-644

CHICAGO APPROVED RECESSED EDGE LIT ALUMINUM EXIT/STAIR SIGN

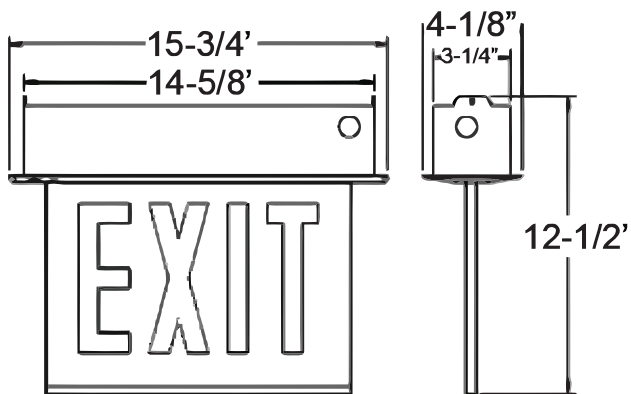
Catalog Number:

Project Name:

Note:

Type:

Architectural Exit & Stair Sign



WARRANTY / LISTING

- Five year warranty on all electronics and housing. Battery prorated for five years.
- UL listed for damp locations (0° – 50°C).
- Meets UL924, NFPA101 Life Safety Code, NEC, OSHA, Local and State Codes.
- Meets city of Chicago sign and plenum requirements.
- Certified to CEC under Title 20 Regulations.

OPTIONS

- WM: Wall mount.

MOUNTING

- Compatible with drywall or drop-thru ceiling mount installations.
- Wall mount capability optional.

ELECTRICAL

- Dual 120V/277 voltage.
- Charge rate/power "ON" LED indicator light and push to test switch for mandated code compliance testing.
- 4.8V Long-life, maintenance-free, rechargeable NiCd battery (EM models only).
- Internal solid-state transfer switch automatically connects the internal battery to LED board for minimum 120-minute emergency illumination.
- Fully automatic solid-state, two-rate charger initiates battery charging to recharge a discharged battery in 24 hours.

ILLUMINATION

- Ultra-bright, energy efficient, long-lasting white LEDs provide uniform illumination.
- UV stabilized, silk screened acrylic panels provide consistent, uniform illumination.

HOUSING

- Premium-grade, extruded aluminum housing.
- Extruded aluminum trim assembly is easily detachable, providing accessibility for service or maintenance. Also available in optional white finish.
- Single or double face configurations.

ELX-644-ITEM SELECTOR: (Please check the boxes below for the option desired)

LETTER COLOR	No of FACES	TRIM PLATE	BATTERY	SIGNAGE/Directional Arrows	OPTIONS
R - Red on White	1 - Single Face 2 - Double Face	A - Aluminum W - White	(blank) - AC-Only EM - Battery Backup	- NA - Exit No Arrow -S-NA - Stair No Arrow -DA - Exit Double Arrow -S-DA - Stair Double Arrow -RA ¹ - Exit Right Arrow -S-RA ¹ - Stair Right Arrow -LA ¹ - Exit Left Arrow -S-LA - Stair Left Arrow -LARA ² - Exit Left/Right Arrow -S-LARA ² - Stair Left/Right Arrow	WM - Wall Mount ¹

¹ Available in single face configuration only. ² Available in double face configuration only.

SPECIFIED:

ELX-644

LETTER COLOR - No of FACES - TRIM PLATE - BATTERY - SIGNAGE/DA - OPTION



Submittal form is available @ www.maxilume.com
Tel: 323-888-1973 * Fax: 323-8881977

Specifications and Dimensions subject to change without notice.