

# ELX-638

New York City Approved LED Aluminum Recessed Edge-Lit Exit Sign w/ Battery Back-up

## Architectural Exit Sign

Catalog Number:

Project Name:

Note:

Type:



### ILLUMINATION

- Ultra bright, energy efficient, long life Red LED.
- UV-stabilized ultra-clear acrylic edge-lit panel provides consistent, uniform illumination.
- Double face utilizes factory installed silver or white mylar background panel.
- New York City compliant 8" EXIT letters.

### ELECTRICAL

- Dual 120/277 voltage standard. Optional multi-tap 208/220/240 voltage available.
- Charge rate/power "ON" LED indicator light and push-to-test switch for mandated code compliance testing.
- 4.8V long life, maintenance-free, rechargeable NiCad battery.
- Internal solid-state transfer switch automatically connects the internal battery to LED board for minimum 90-minute emergency illumination.
- Fully automatic solid-state, two rate charger initiates battery charging to recharge a discharged battery in 24 hours.

### MOUNTING

- Compatible with drywall or drop ceiling mount installations. Bar hangers included.
- Wall mount capability optional.

### HOUSING

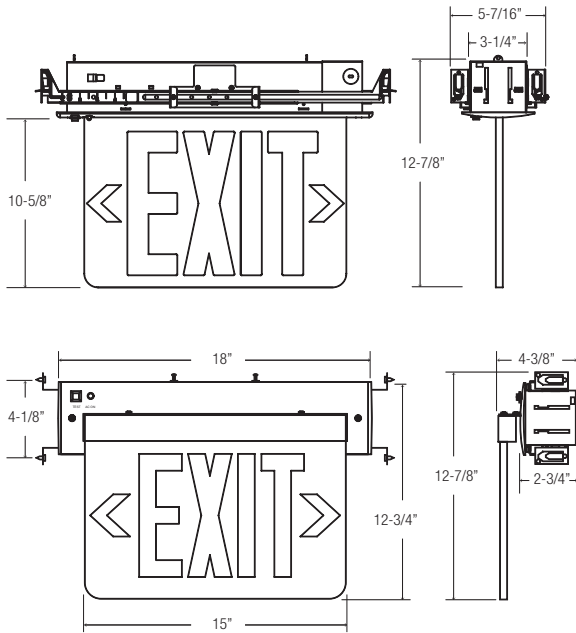
- Premium-grade, extruded aluminum housing.
- Extruded aluminum trim assembly is easily detachable from below, providing accessibility for service or maintenance. Available in black or white powder-coated finishes.
- Self-adhesive chevron appliques and guide template provided for directional indication.

### OPTION

- **SDT:** Self-diagnostic feature performs monthly, biannual, and annual tests to ensure reliable operation and meet electrical and life safety codes.
- **SPV:** UL Listed for special voltage option.
- **WM:** Allows for the unit to be wall recessed mounted.

### WARRANTY/LISTING

- Five year warranty on all electronics and housing. Battery prorated for five years.
- Meets UL924, NFPA 101 Life Safety Code, NEC, OSHA, Local and State Codes.
- UL Listed for damp locations (0°C – 50°C).



ELX-638 - ITEM SELECTOR: (Please check the boxes below for the option desired)

LETTER COLOR	HOUSING COLOR	PANEL COLOR	NO. OF FACE	BATTERY	OPTION
<input type="checkbox"/> R - Red	<input type="checkbox"/> AL - Aluminum <input type="checkbox"/> W - White <input type="checkbox"/> B - Black	<input type="checkbox"/> CL - Clear <input type="checkbox"/> MR - Mirror <input type="checkbox"/> W - White	<input type="checkbox"/> 1 - Face <input type="checkbox"/> 2 - Face	<input type="checkbox"/> EM - Emergency Battery Back-up	<input type="checkbox"/> SDT - Self-Diagnostic <input type="checkbox"/> SPV - 208/220/240V (50/60 Hz) <input type="checkbox"/> WM - Wall Mount

SPECIFIED:

\*2 face is only available for Mirror panel option

**ELX-638** - \_\_\_\_\_ - \_\_\_\_\_ - \_\_\_\_\_ - \_\_\_\_\_ - \_\_\_\_\_

LETTER COLOR    HOUSING COLOR    PANEL COLOR    NO. OF FACE    BATTERY    OPTION