

ELX-613

Recessed LED Edge-Lit Dual Circuit Exit Sign

Architectural

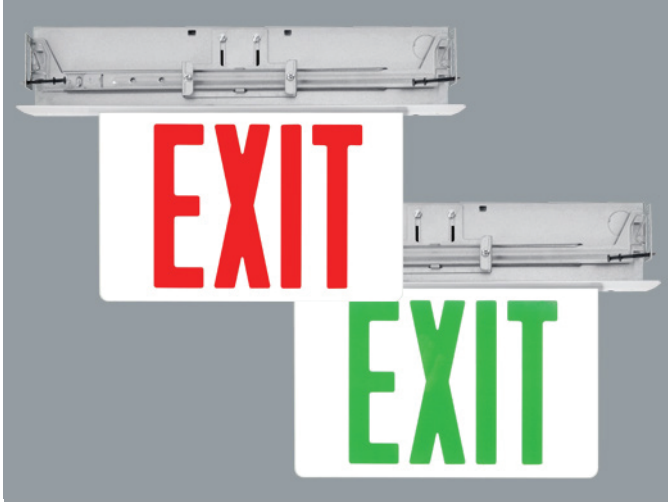
Catalog Number:

Project Name:

Type:

Note:

MAXILUME
ARCHITECTURAL LIGHTING



FEATURES

This fixture is intended for use in applications where performance and appearance are high priorities. The product uses long-life LEDs, which consume very little energy - less than 3 watts - and it has a rated life of up to 25 years with no drop in illumination.

BODY

- This fixture is made from injection-molded acrylic panels that are supported by a small extruded aluminum frame.
- Aluminum and acrylic panel compartments.
- 2-Piece flexible aluminum that contains the PC board, battery, LED source, and the upper end of the acrylic face.
- Pre-installed bar hangers

FACE

- Single- and double-faced exit lights are available.
- An appealing exterior is the result of the precisely designed edges of the acrylic face.
- 6" letters in red or green colors are within the cover. Adhesive chevrons are also provided.

RECESSED MOUNTING

- Unique mounting design permits ceiling mounting.
- Fits into wall or ceiling w/ opening 13-5/8" L X 4-1/2" W X 3-1/3" D.
- Adjustable T-bar hangers adapt mounting tray for mounting in suspended ceilings or variable size framed openings.
- Plug-in wire connections and self-captive mounting screws

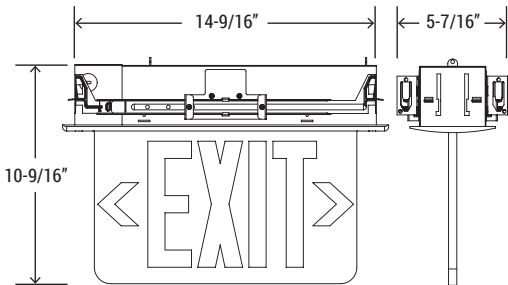
ELECTRICAL

- Universal 120V or 277V Dual Input
- Normally 3 Watts, 5 Watts in Emergency Use
- Light source - Led Strips
- Dual Circuit

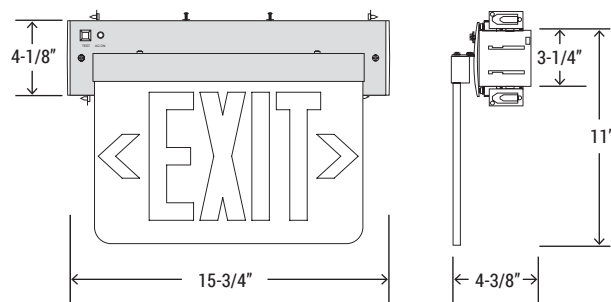
LISTED

- UL 924, NFPA, NEC, State & Municipal
- Damp location approved

Ceiling Mount



Wall Mount



ELX-613 - ITEM SELECTOR: (Please check the boxes below for the option desired)

LETTER COLOR	HOUSING COLOR	NUMBER OF FACES	PANEL COLOR
<input type="checkbox"/> G - Green	<input type="checkbox"/> AL - Natural Aluminum	<input type="checkbox"/> 1 - FACE	<input type="checkbox"/> CLEAR ACRYLIC
<input type="checkbox"/> R - Red	<input type="checkbox"/> W - White	<input type="checkbox"/> 2 - FACE	<input type="checkbox"/> MIRROR
	<input type="checkbox"/> B - Black		



Specified:

ELX-613 - _____ - _____ - _____ - _____
LETTER COLOR HOUSING COLOR NO. OF FACE PANEL COLOR

*2 face is only available for Mirror panel option

MAXILUME
ARCHITECTURAL LIGHTING

A division of
Elite Lighting

Submittal form is available @ www.maxilume.com
Tel: 323-888-1973 • Fax: 323-888-1977

Specifications and Dimensions
subject to change without notice.

REV: MAXILUME-SPEC-03-10-2011