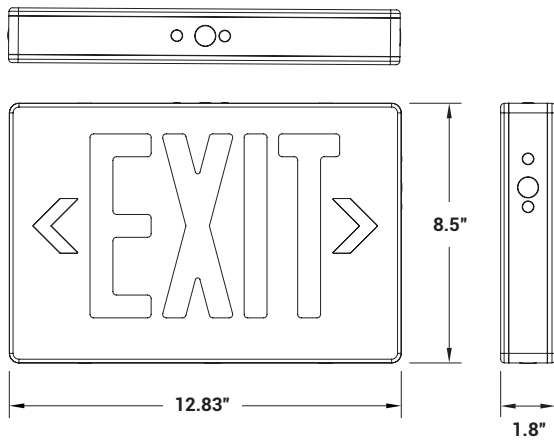
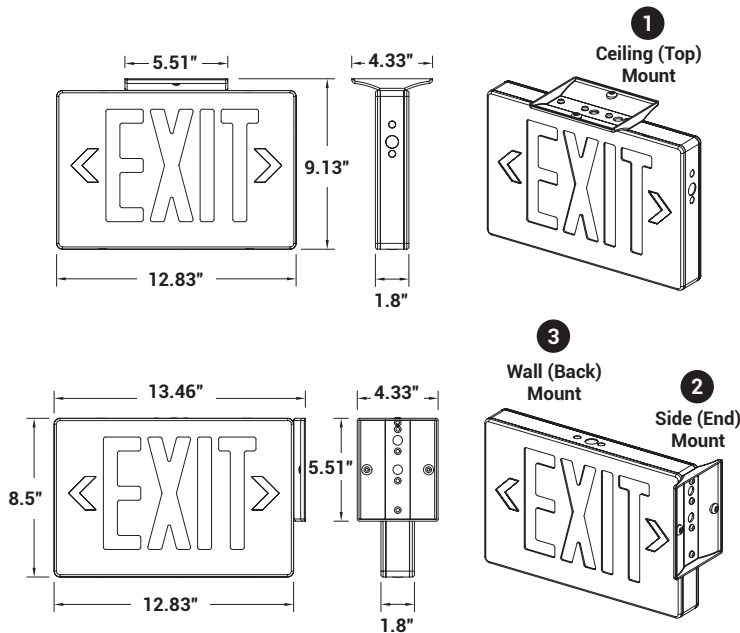




DIMENSIONS



MOUNTING OPTION



FEATURES

SAFE, SLIM, AND VERSATILE

This LED exit sign features a slim, compact profile, a “universal” or double-faced design, and field switchable red or green colors for a catch-all solution that satisfies convenience, aesthetics, and safety compliance. A built-in emergency battery back-up option and self diagnostic test switch ensure function in the event of power outages. Universal mounting capability allows for wall, side, and ceiling mounting, for a truly all-purpose, versatile application.

Ideal for marking exits and paths of egress across a variety of settings, including schools, offices, hospitals, retail and public spaces. Indoor damp location suitable.

WATTAGE	1.2W
FACE	“Universal”: Double or Single Face
MOUNTING	“Universal”: Ceiling Mount, Side Mount, and Wall Mount
FINISH	AL (Aluminum), Black (B), White (W)
AMBIENT TEMP.	5°C (41°F) to 50°C (122°F)
TEST FUNCTION	Self-diagnostic
VOLTAGE	120-277VAC
BATTERY BACKUP	3.2V, 400mAH LiFE P04 battery pack. Remote capacity options available.
WARRANTY	5-year



OPTICS

Features a universal double faced design with field switchable red/green color. Backplate included for single face wall mount configuration.

Matching color red or green diffuser should also be replaced when switching colors.

Default color factory set to red.

CONSTRUCTION

Includes a 6" height and 3/4" lettering stroke, and knockout chevron directional arrows. Crafted with a slim, compact design and a housing made from lightweight, durable die-cast aluminum.

Lithium iron-phosphate integrated emergency battery back-up included.

Color light switch located inside luminaire edge.

Self-diagnostic test switch and charge indicator light for emergency battery back-up located on fixture side.

Housing and faces available in aluminum, white, and black finishes.

MOUNTING

Mounting canopy and wall mount backplate included.

Mounting canopy allows for top, back or end mounting. Back mount standard for single face only. Canopy design uses cam locking pin to secure sign to canopy with no visible hardware seen from the floor.

Ships as a single sided exit with additional face plate and red/green color panels to easily convert from single face exit to double face exit.

Directional chevrons can be easily removed and reinserted depending on the application.

EMERGENCY BATTERY

Integrated lithium iron-phosphate emergency battery back-up with a 3.2V 400mAh lifetime requires a 24 hour recharge time, and features a discharge time of over 90 minutes.

A trickle charge mode helps prevent rapid battery discharge and maintains battery health even after battery has been fully charged.

Self-test and self-diagnostic test switch and charge indicator included.

A solid state transfer circuit allows for seamless electronic power transfers. Low voltage battery protection prevents damage in the event of power dips or outages.

MAINTENANCE

Fixture can be regularly and safely wiped down to ensure optimal fixture performance.

DRIVER & ELECTRICAL INFORMATION

Powered by high-quality constant-current LED drivers which are rated for 60Hz at 120-277VAC input. Consumes only 1.2 watt of power.

WARRANTY

5-year warranty for parts and components (labor not included).

LISTINGS

Meets UL924, NFPA 101 (current Life Safety Code), NEC, California Energy Commission Title 20 section 1605.3 (W)(4) and OSHA illumination standards. Meets all applicable FCC Title 47, Part 15, Subpart B requirements. UL listed.

CEC Title 20 compliant.

RoHs compliant - lead and mercury free.

Damp location suitable.

BABA Build America Buy America Act compliant



Switch from Red to Green



Aluminum, Black and White Housing Finishes

Self-diagnostic

Example: **ELX-605-G/R-AL-AL-U-G2**

ELX-605						
SERIES	COLOR	HOUSING FINISH	FACE FINISH	FACE	GENERATION	OPTION
ELX-605	G/R - Universal (Green/Red)	AL - Aluminum B - Black W - White	AL - Aluminum B - Black W - White	U - Universal (Single/Double)	G2 - Generation 2	BABA - Build America Buy America Act Compliant