

ELX-601

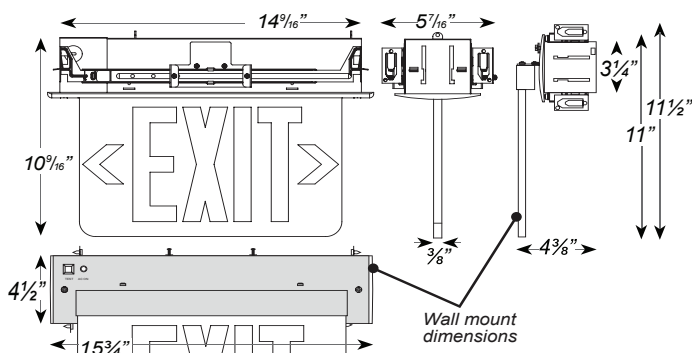
RECESSED EDGELIT ALUMINUM EXIT SIGN

Catalog Number:

Project Name:

Note:

Type:



HOUSING

- Premium-grade, extruded aluminum housing.
- Extruded aluminum trim assembly is easily detachable from below, providing accessibility for service or maintenance. Available in optional black or white powder-coated finishes.
- Self-adhesive Chevron appliques and guide template provided for directional indication.

WARRANTY / LISTING

- Five year warranty on all electronics and housing. Battery prorated for five years.
- UL listed for damp locations (0° – 50°C).
- Meets UL924, NFPA101 Life Safety Code, NEC, OSHA, Local and State Codes.
- Certified to CEC under Title 20 Regulations.

ELX-601-ITEM SELECTOR: (Please check the boxes below for the option desired)

LETTER COLOR	No of FACES	TRIM PLATE	PANEL	BATTERY	OPTIONS
R - Red	1 - Single Face	W - White	C - Clear ¹	(blank) - AC-Only	WM - Wall Mount ¹
G - Green	2 - Double Face	B - Black	M - Mirror	EM - Battery Backup	2C-120 - Dual Circuit With 120V Input ²
		A - Aluminum	W - White		2C-277 - Dual Circuit With 277V Input ²
					SDT - Self-Diagnostics ³
					USA - Assembled in USA
					SPV - 208/220/240 Volt, 50/60Hz ⁴
					CUSTOM - Custom Wording

¹ With single face only. ² Available only with AC units. ³ Available only with EM units. ⁴ Not available with SDT.

SPECIFIED:
ELX-601

LETTER COLOR - No of FACES - TRIM PLATE - PANEL - BATTERY - OPTIONS

OPTIONS

- WM: Allows for the unit to be wall recessed mounted.
- 2C-120V/2C-277V: Voltage-specific dual circuit option on the AC-only unit enables it to be connected to two different supplies at the same time.
- SDT: Self-diagnostic feature performs monthly, biannual, and annual tests to ensure reliable operation and meets electrical and life safety codes.
- USA: Substantial transformation assembly in the U.S. complies with "Assembled in the USA" under the Buy American Act.
- SPV: UL Listed for 208/220/240 Volt, 50/60Hz.
- Custom: Signs available with requested 'special' wording.

ELECTRICAL

- Dual 120V/277 voltage standard.
- Charge rate/power "ON" LED indicator light and push to test switch for mandated code compliance testing.
- 4.8V Long-life, maintenance-free, rechargeable NiCd battery (EM models only).
- Internal solid-state transfer switch automatically connects the internal battery to LED board for minimum 90-minute emergency illumination.
- Fully automatic solid-state, two-rate charger initiates battery charging to recharge a discharged battery in 24 hours.

ILLUMINATION

- Ultra bright, energy efficient, long life Red or Green LEDs.
- UV-stabilized ultra-clear acrylic edgelit panel provides consistent, uniform illumination.
- Double face utilizes factory installed silver or white mylar background panel.

MOUNTING

- Compatible with drywall or drop ceiling mount installations. Bar hangers included.
- Wall mount capability optional.

STANDARD



OPTIONAL

