

ELX-600

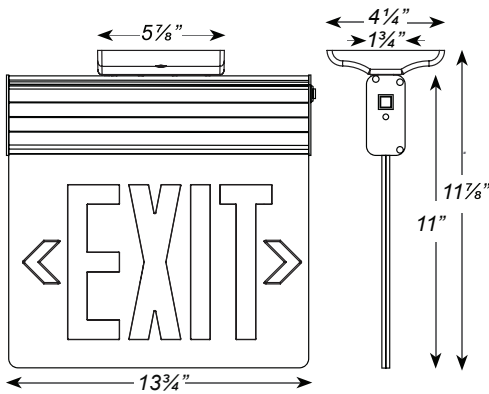
EDGE LIT ALUMINUM EXIT SIGN

Catalog Number:

Project Name:

Note:

Type:



HOUSING

- Premium-grade, extruded aluminum housing (also available in optional black or white powder-coated finishes).
- Self-adhesive Chevron appliques and guide template provided for directional indication.

WARRANTY / LISTING

- Five year warranty on all electronics and housing. Battery prorated for five years.
- Meets UL924, NFPA 101 Life Safety Code, NEC, OSHA, Local and State Codes.
- UL Listed for damp locations (0°C – 50°C).
- Certified to CEC under Title 20 Regulations.

OPTIONS

- 2C-120V/2C-277V: Voltage-specific dual circuit option on the AC-only unit enables it to be connected to two different supplies at the same time.
- SDT: Self-diagnostic feature performs monthly, biannual, and annual tests to ensure reliable operation and meets electrical and life safety codes.
- USA: Substantial transformation assembly in the U.S. complies with "Assembled in the USA" under the Buy American Act.
- SPV: UL Listed for 208/220/240 Volt, 50/60Hz.
- Custom: Signs available with requested 'special' wording.

MOUNTING

- Aluminum mounting canopy included for top, end or back mount.

ELECTRICAL

- Dual 120/277 voltage standard.
- Charge rate power "ON" LED indicator light and push-to-test switch for mandated code compliance testing.
- 4.8V long life, maintenance-free, rechargeable NiCd battery (EM models only).
- Internal solid-state transfer switch automatically connects the internal battery to LED board for minimum 90-minute emergency illumination.
- Fully automatic solid-state, two rate charger initiates battery charging to recharge a discharged battery in 24 hours.

ILLUMINATION

- Ultra bright, energy efficient, long life Red or Green LEDs.
- UV-stabilized ultra-clear acrylic edgelit panel provides consistent, uniform illumination.
- Double face utilizes factory installed silver or white mylar background panel.

ELX-600-ITEM SELECTOR: (Please check the boxes below for the option desired)

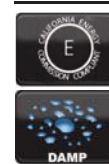
LETTER COLOR	HOUSING COLOR	No of FACES	PANEL	BATTERY	OPTIONS
R - Red G - Green	W - White B - Black A - Aluminum	1 - Single Face 2 - Double Face	C - Clear ¹ M - Mirror W - White	(blank) - AC-Only EM - Battery Backup	2C-120 - Dual Circuit With 120V Input ² 2C-277 - Dual Circuit With 277V Input ² SDT - Self-Diagnostics ³ USA - Assembled in USA SPV - 208/220/240 ⁴ Volt, 50/60Hz CUSTOM - Custom Wording

¹ With single face only. ² Available only with AC units. ³ Available only with EM units. ⁴ Not available with SDT.

SPECIFIED:
ELX-600

LETTER COLOR - HOUSING COLOR - No of FACES - PANEL - BATTERY - OPTIONS

STANDARD



OPTIONAL

