

ELM-LED-890

Recessed LED Emergency Light

Architectural

Catalog Number:

Project Name:

Type:

Note:

MAXILUME
ARCHITECTURAL LIGHTING



FEATURES

ELM-LED-890 is a recessed LED emergency light with two adjustable lamp heads. Remote capability with additional battery and a self-diagnostic function are available as options. In case of power loss, the emergency light provides at minimum 90 minutes of illumination at full charge. The ELM-LED-890 is recessed into the ceiling, and its sleek design, discreet lamp heads, and quality performance make it ideal for any application requiring long-lasting, easy-to-maintain emergency lighting.

BATTERY

When completely charged, supplies emergency power for 90 minutes. 24-hour charge time until fully charged. Equipped with a high-temperature long-life Ni-MH 3.6V 2500mAh battery, which can carry up to 2-3 times the capacity of Ni-Cad batteries of the same size.

UL 924 AND CLASS I CERTIFICATION: WHAT THAT MEANS

UL 924 is UL's Standard for safety of emergency lighting and power equipment, certifying that the ELM-LED-890 meets functionality, reliability, and visibility standards. In summary, UL 924 certifies that the emergency battery packs of the ELM-LED-890 are equipped with constant power output, as well as including instructions for recalibrating malfunction detection circuits so that loads can be added or removed after initial installation. This brief summary in this spec sheet does not include all of the safety standards that the UL 924 certification entails.

CLASS I ensures anti-shock protection in the event of insulation failure, by way of a grounding method.

LAMP HEAD

Standard model LED lamp head 2.5W, deliver 400lm

OPTICS

30° beam angle, adjustable lamp head for finding the ideal position needed for any environment requiring emergency lighting.

CONSTRUCTION

Extruded aluminum alloy trim plate is durable yet lightweight and attractive.

INSTALLATION

Recessed Mounting
Knockouts on driver for easy wiring

DRIVER ELECTRICAL INFORMATION

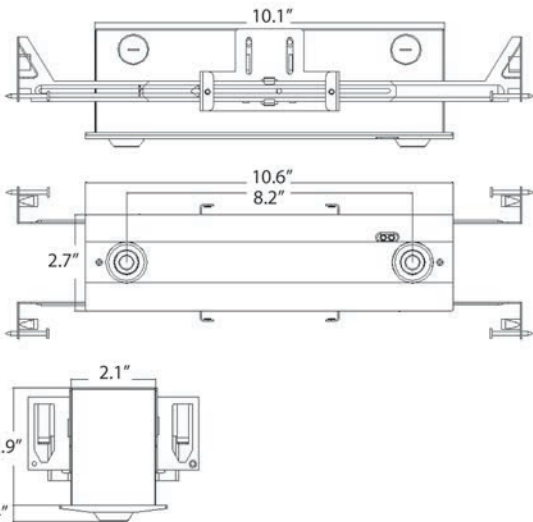
Powered by high-quality constant-current power LED drivers which are rated for 60Hz at 120/277V input. Available in 120/347V, produce less than 20% THD, and have a power factor of .90 to 1.00.

WARRANTY

Five-year warranty for parts and components (labor not included).

LISTINGS

UL 924 Rated
Class I Insulation
Damp Location Rated



ELM-LED-890

HOUSING COLOR	MOUNTING
AL - Aluminum WH - White	RECESSED MOUNTING



MAXILUME
ARCHITECTURAL LIGHTING

A division of
Elite Lighting

Submittal form is available @ www.maxilume.com
Tel: 323-888-1973 • Fax: 323-888-1977

Specifications and Dimensions
subject to change without notice.

REV: MAXILUME-SPEC-03-10-2011