



**Configuration**

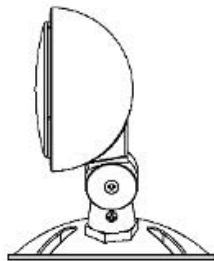
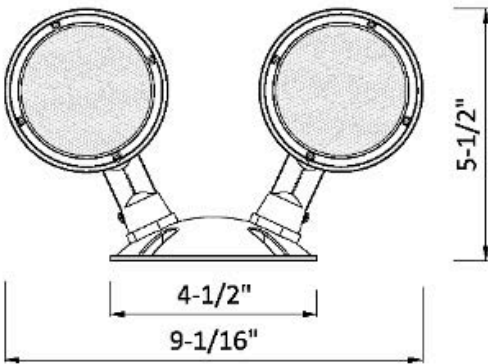
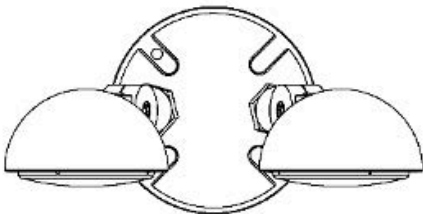
- Polycarbonate lamp housing and cover.
- Aluminum mounting canopy.
- Fully adjustable round shape light heads.
- Single head and Dual heads optional.

**Electrical**

- Rated 3-12VDC input, 0.75W for single head,
- 1.5W for double heads.
- Rated 3-12VDC input, 1W for single head,
- 2W for double heads.

**Mounting**

- Suitable for wall mount and ceiling mount.
- Suitable for use in -25°C-50°C ambient temperature, suitable for wet location.



**Configuration**

- UL and cUL listed and meets or exceed all requirement in NFPA 70, NFPA 101 life safety code, suitable for U.S.A and Canada market.



ITEM SELECTOR: (Please check the boxes below for the option desired)

CATALOG#	FINISH	VERSION
ELM-LED-863-OT	<input type="checkbox"/> WH-White <input type="checkbox"/> GR-Gray <input type="checkbox"/> BK-Black	G2

SPECIFIED:

**ELM-LED-863-OT-GR-G2**